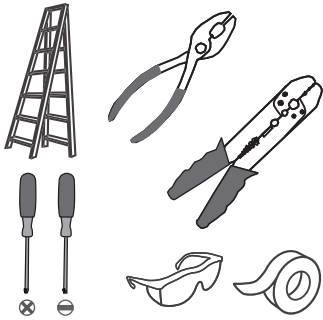
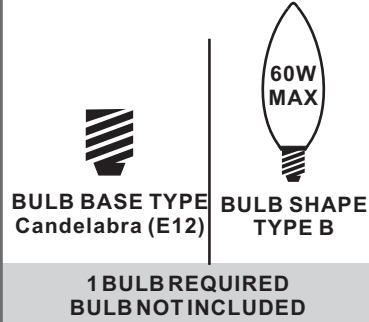


**Tools Required**



**Light Source**



**Warnings and Cautions**

Turn off the electricity at the circuit breaker before installation. Consult a licensed electrician if in doubt about installation.

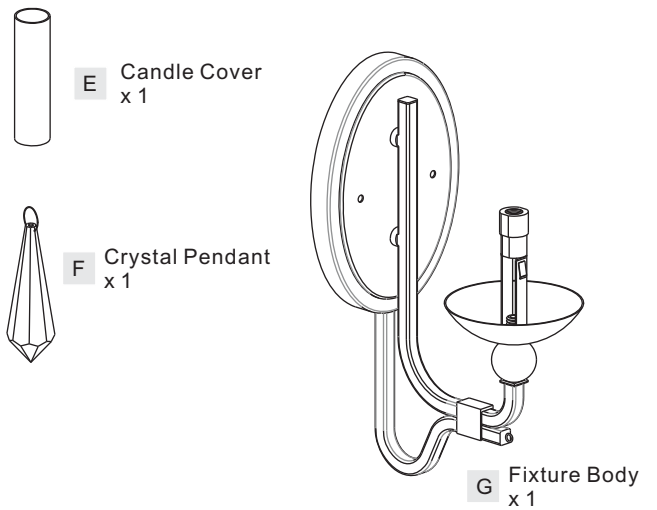
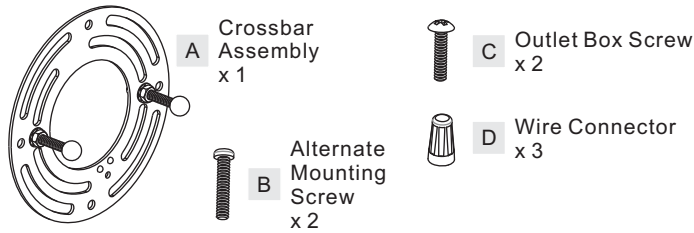
Turn off power to the fixture and allow the bulbs to cool before replacing.

**Package Contents**



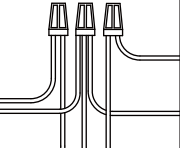
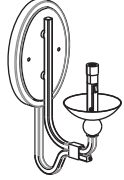

**Preparation:** Identify and inspect all parts before beginning the installation.

Missing or damaged parts? Contact your original place of purchase.

**PARTS BAG**

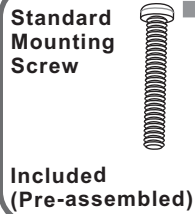


**Table of Contents**

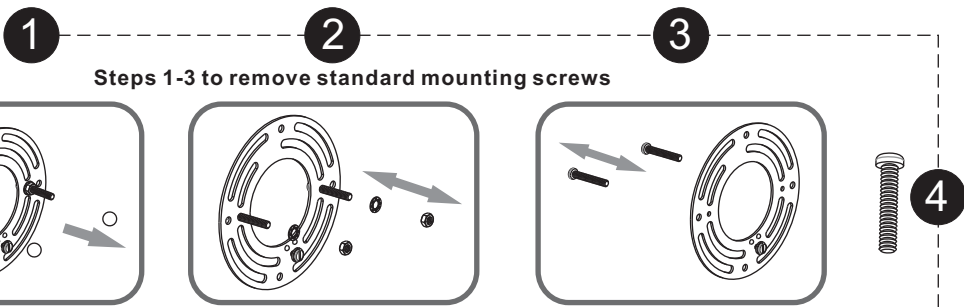
Alternate Mounting Screw	Crossbar Assembly	Wiring	Fixture Body	Crystal Pendant, Candle Cover & Bulb
				
<b>STEP 1</b>	<b>STEP 2</b>	<b>STEP 3</b>	<b>STEP 4</b>	<b>STEP 5</b>

# STEP 1

OPTION 1



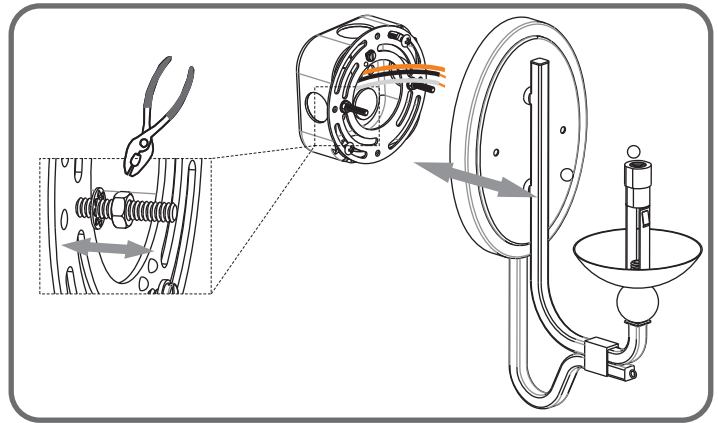
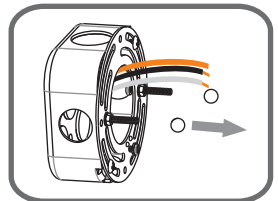
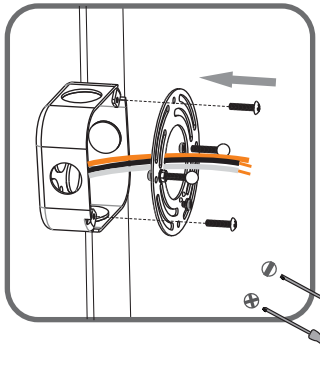
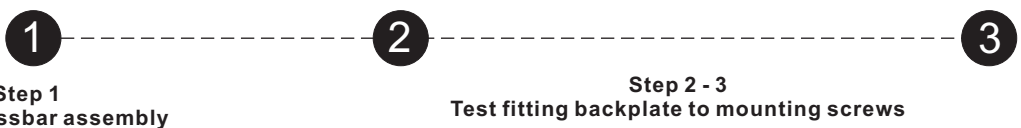
skip to next page



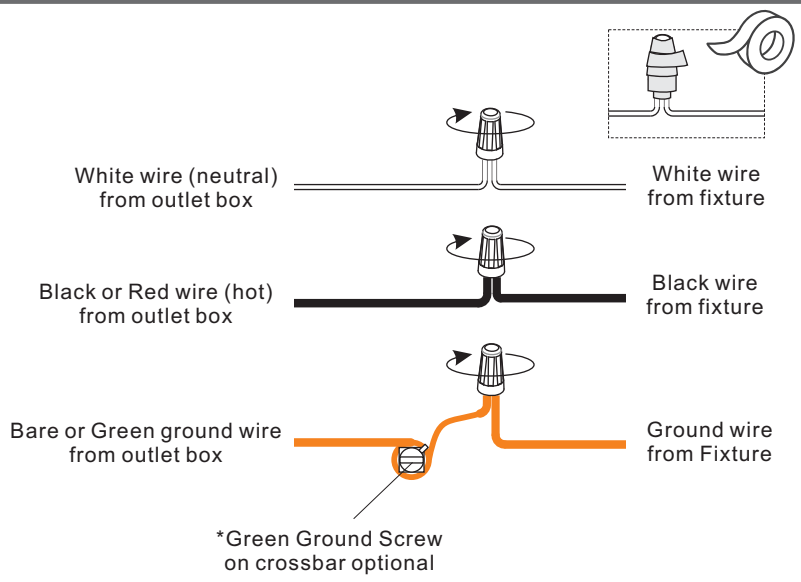
OPTION 2



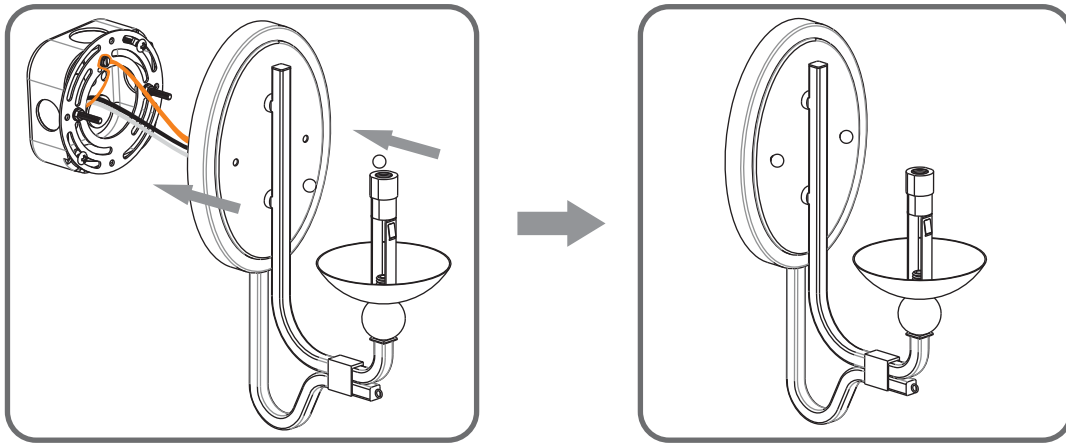
# STEP 2



# STEP 3



**STEP 4**



**STEP 5**

