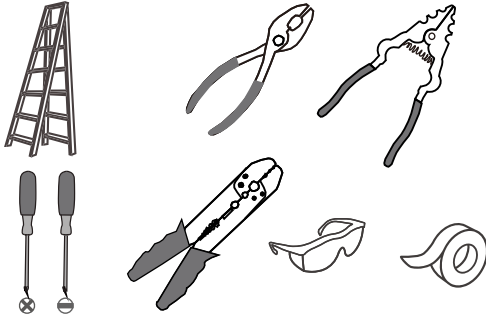
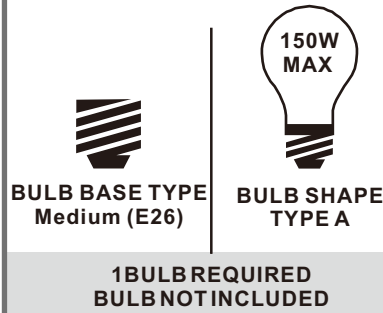


Tools Required



Light Source



**Fixture Height Adjustable
16.5" to 112.5"**

⚠ Warnings and Cautions

Turn off the electricity at the circuit breaker before installation. Consult a licensed electrician if in doubt about installation.

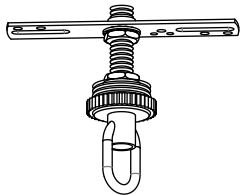
Turn off power to the fixture and allow the bulbs to cool before replacing.

Package Contents

Preparation: Identify and inspect all parts before beginning the installation.

Missing or damaged parts? Contact your original place of purchase.

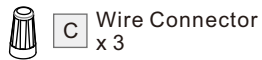
PARTS BAG



A Crossbar Assembly x 1



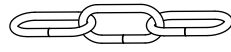
B Outlet Box Screw x 2



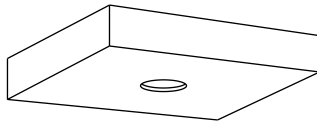
C Wire Connector x 3



D Quick Link x 2



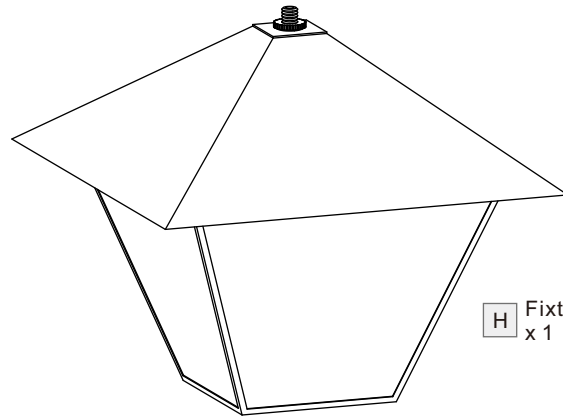
E Fixture Chain x 1



F Ceiling Canopy x 1



G Fixture Loop x 1

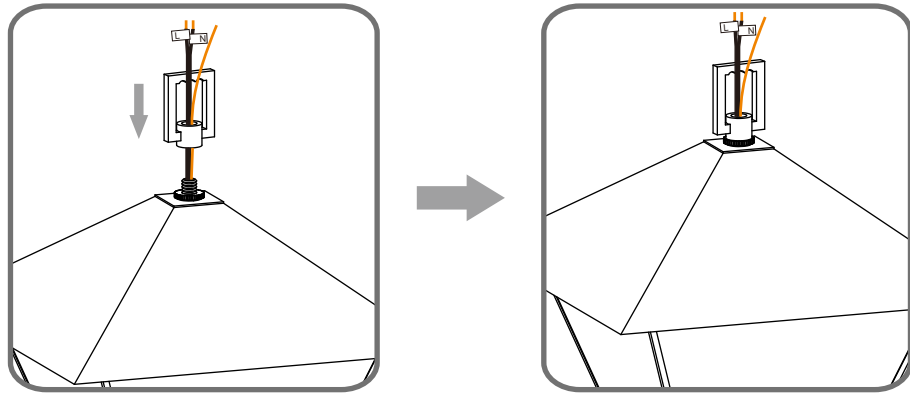


H Fixture Body x 1

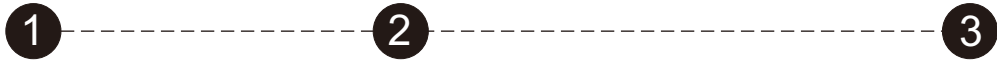
Table of Contents

Fixture loop	Crossbar Assembly	Fixture Chain	Wiring	Ceiling Canopy	Bulb
STEP 1	STEP 2	STEP 3	STEP 4	STEP 5	STEP 6

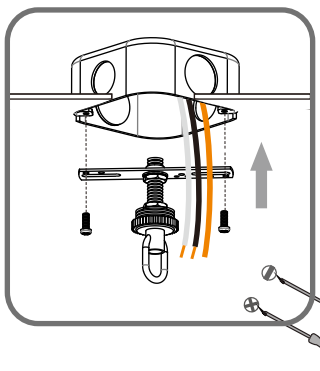
STEP 1



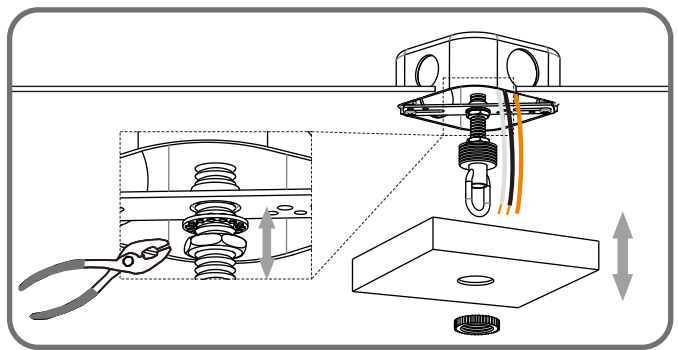
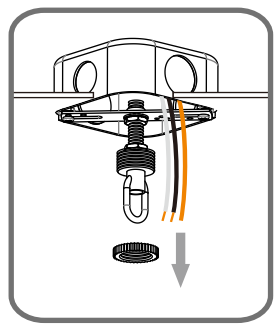
STEP 2



Step 1
Install crossbar assembly



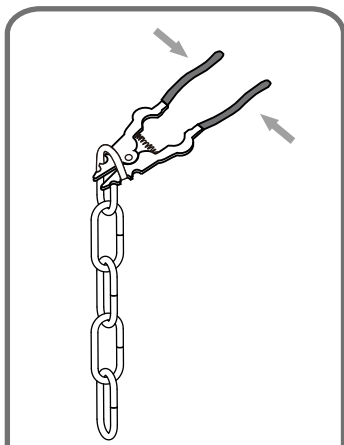
Step 2 - 3
Test fitting ceiling canopy to nipple



STEP 3

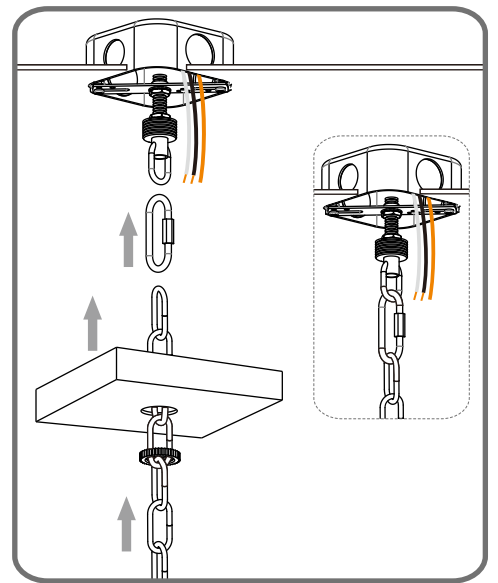
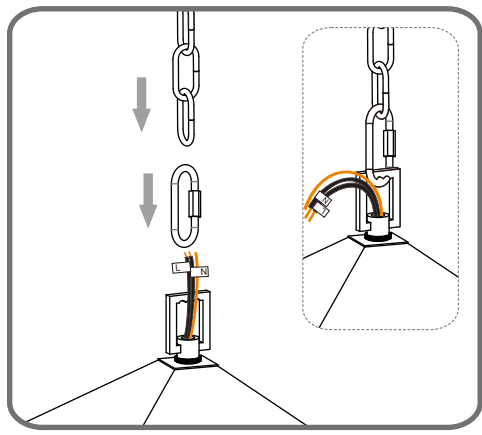


Step 1
Adjust fixture chain length



Suggested Chain Length:
8' ceiling: 19.5" Chain
9' ceiling: 30.5" Chain
10' ceiling: 41.5" Chain

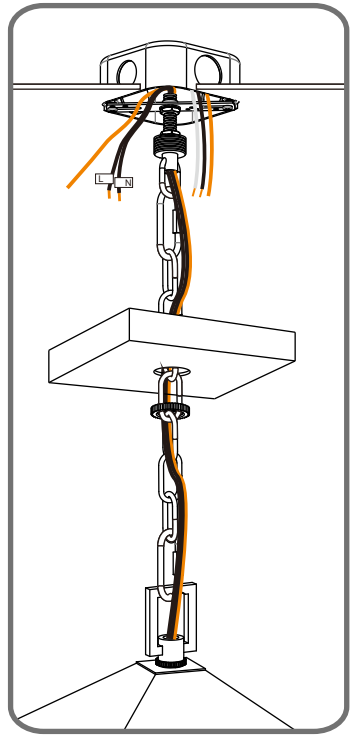
Step 2 - 3
Install Fixture Chain



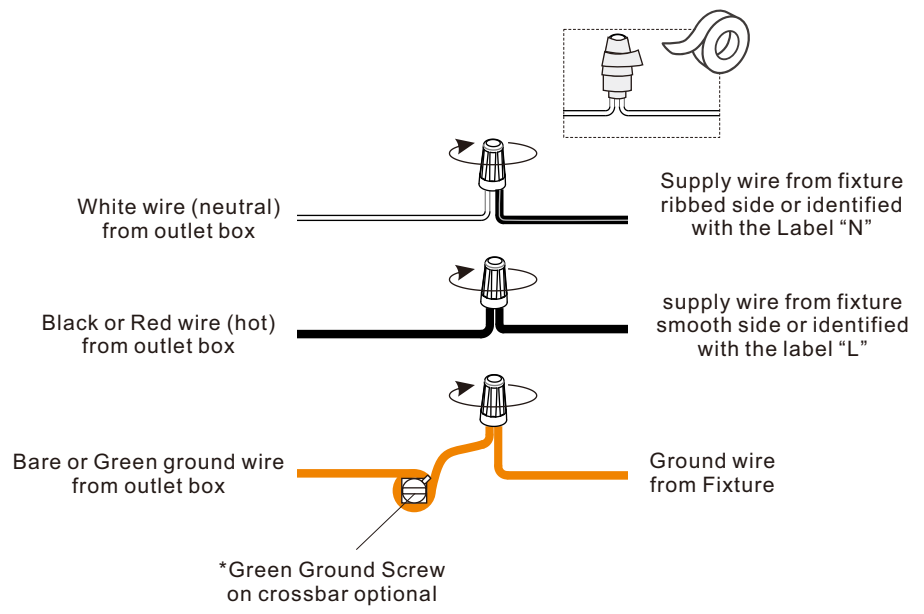
STEP 4

1

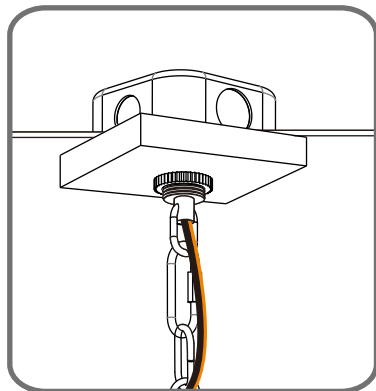
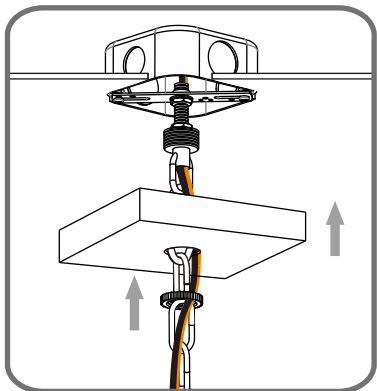
Step 1
Feed the fixture wires
through the loop



2



STEP 5



STEP 6

