

Please go to www.quoizel.com for product cleaning tips. Go to the **Care + Maintenance** selection.

Tools Required: Flathead screwdriver, Phillips screwdriver, pliers, wire cutters, wire strippers, electrical tape, safety glasses.

Light Source: (1) A21 Medium Base Bulb 150W Maximum.

Estimated Assembly Time: 20-30 minutes

Preparation: Identify and inspect all parts before beginning installation. Check package content list and diagrams below to be sure all parts are present. If any parts are missing or damaged, do not attempt to assemble, install, or operate the fixture. Contact customer service for replacement parts.

Fixture can only be mounted in the direction indicated on page 2.

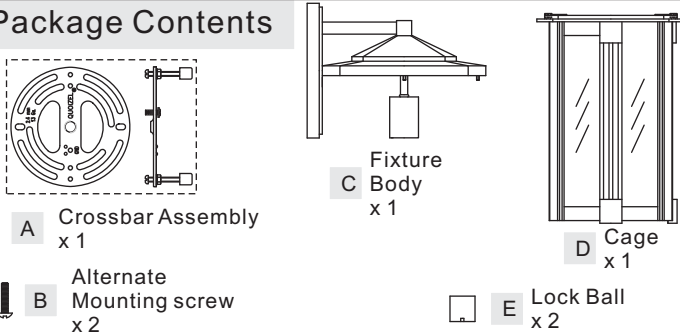
⚠ Warnings and Cautions

Turn off electricity at circuit breaker or main fuse box before installation. Consult a licensed electrician if in doubt.

These instructions are provided for your safety. It is very important you read them completely before installing the fixture. We strongly recommend that a licensed, professional electrician perform the installation.

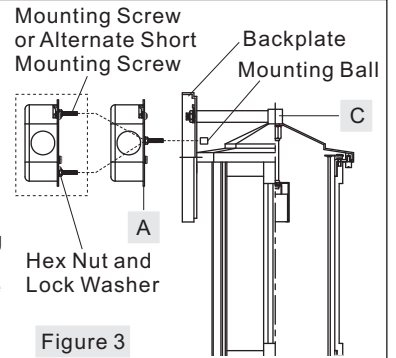
Disconnect fixture from power source before replacing bulbs. Make sure bulbs are given sufficient time to cool before removal.

Package Contents



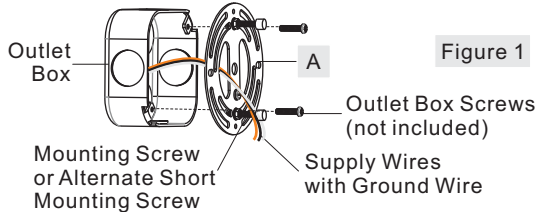
STEP 3 – Test Fitting Backplate to Crossbar Assembly

A. Remove mounting balls from the Crossbar Assembly (A). Fit the backplate on Fixture Body (C) to the Crossbar Assembly (A) and secure with mounting balls. Note: The backplate on Fixture Body (C) should be snug against the wall and the mounting balls. If not, adjust the length of the mounting screws or alternate short mounting screws on the Crossbar



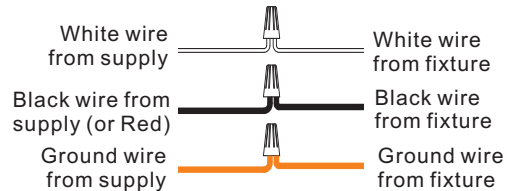
STEP 1 – Install Crossbar Assembly

A. Pass the supply wires through the Crossbar Assembly (A). Attach the Crossbar Assembly (A) to the Outlet Box with the head of the Green Ground Screw facing you. Secure it with Outlet Box Screws (not included). Tighten until snug. Note: Use the Alternate Shorter Mounting Screw (B) if your installation requires a shorter mounting screw.



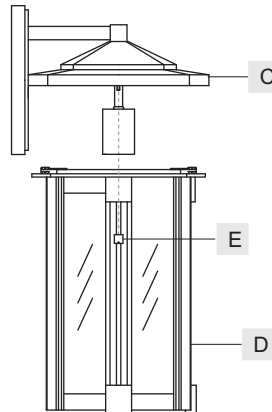
STEP 4 - Wire Connections

A. Use standard wire connectors (not included) to make all wire connections. Twist connectors until wires are tightly joined together. Wrap each connection with approved electrical tape and carefully stuff all the connected wires into the Outlet Box.



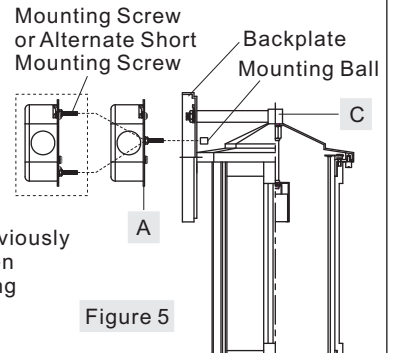
STEP 2 – Attach Cage to Fixture Body

A. Place the top edge of the Cage (D) over bolts on the bottom edge of the fixture hood on the Fixture Body (C). Secure by threading Lock Balls (E) onto bolts. Hand tighten until snug.



STEP 5 – Install Fixture Body

A. Carefully tuck all wires into the outlet box and position the backplate of Fixture Body (C) over the outlet box. Align the holes in the backplate with the mounting screws or alternate short mounting screws. Place caulk (not supplied) into the previously removed mounting balls and then attach Fixture using the mounting balls. Hand tighten until snug.



Thank you for purchasing a Quoizel product.
Need assistance with parts or assembly? Call Quoizel customer service at 1-800-645-3184
or visit us on-line at www.quoizel.com

STEP 6 - Install Bulb

A. Insert bulb into socket and screw snugly into place.

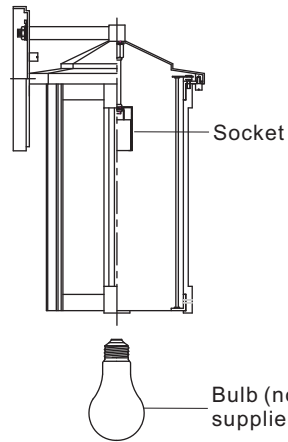


Figure 6

STEP 7 - Apply Silicone Sealer

A. Make sure exterior wall surface and fixture backplate are free of dirt before applying caulk. Using exterior grade caulk, caulk over top of backplate and down other side. Do not caulk bottom of fixture backplate to ensure proper moisture drainage.

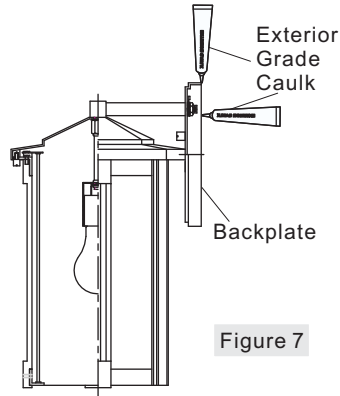


Figure 7

How to Replace Glass Shade

A. Unlock Lock Balls and remove Fixture Hood from the Cage.
 B. Unscrew Flat Head Screws on the Cage with Glass Shade, remove Tabs and Glass Shade from the Cage.
 C. Replace the Glass Shade with a new one and reverse above steps to reinstall previously removed parts back onto fixture.

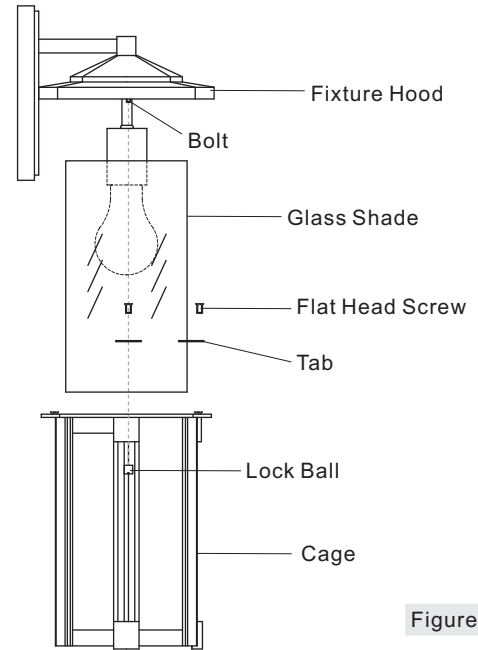
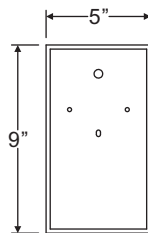
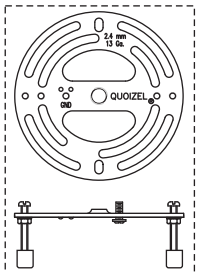


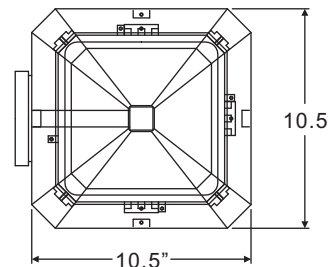
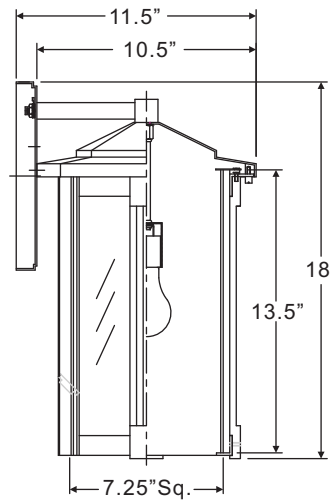
Figure 8

EVG8411EK

FINISH: EARTH BLACK



↑
 Fixture can only be mounted in the direction indicated



NOTE: ALL DIMENSIONS ARE ROUNDED UP TO THE NEAREST 1/4"

Thank you for purchasing a Quozel product.
 Need assistance with parts or assembly? Call Quozel customer service at 1-800-645-3184
 or visit us on-line at www.quezel.com