

Please go to [www.quoizel.com](http://www.quoizel.com) for product cleaning tips. Go to the **Care + Maintenance** selection.

**Tools Required:** Flathead screwdriver, Phillips screwdriver, pliers, wire cutters, wire strippers, electrical tape, safety glasses.

**Light Source:** (12) G9 Base Clear G9 Xenon Bulbs (not included), 40W Maximum.

**Estimated Assembly Time:** 30-45 minutes

**Preparation:** Identify and inspect all parts before beginning installation. Check package content list and diagrams below to be sure all parts are present. If any parts are missing or damaged, do not attempt to assemble, install, or operate the fixture. Contact customer service for replacement parts.

### ⚠ Warnings and Cautions

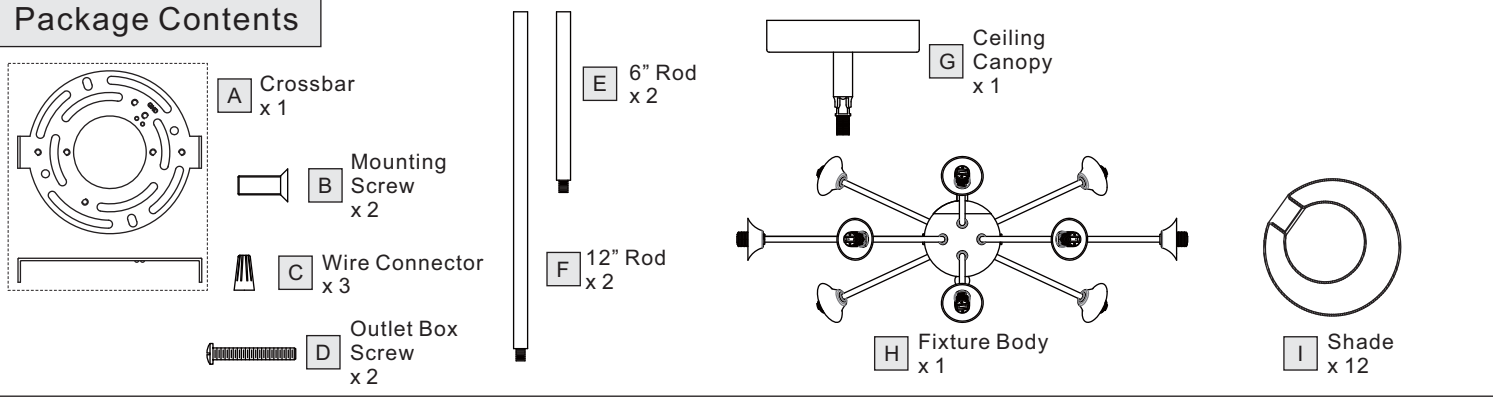
Turn off electricity at circuit breaker or main fuse box before installation. Consult a licensed electrician if in doubt.

These instructions are provided for your safety. It is very important you read them completely before installing the fixture. We strongly recommend that a licensed, professional electrician perform the installation.

Disconnect fixture from power source before replacing bulbs. Make sure bulbs are given sufficient time to cool before removal.

Do not touch the bulb with bare hands use a cloth or glove.

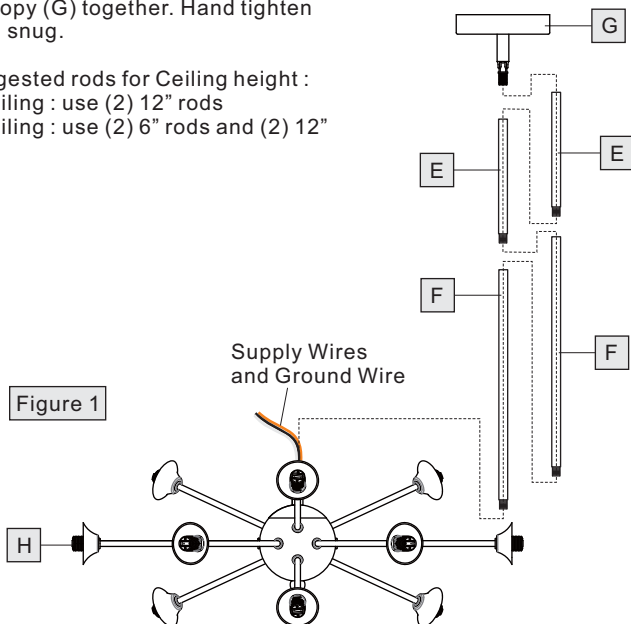
### Package Contents



#### STEP 1 - Install Ceiling Canopy, Rods and Fixture Body together

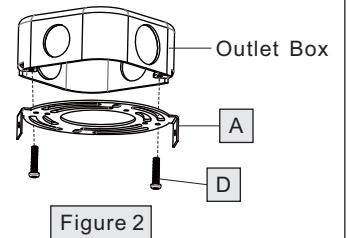
- Determine the Rods (E/F) to be assembled to the Fixture Body (H) according to your hanging height.
- Pass the supply wires and ground wire through the chosen rods (E/F) and the Ceiling Canopy (G). Thread the Fixture Body (H), the chosen Rods (E/F) and the Ceiling Canopy (G) together. Hand tighten until snug.

Suggested rods for Ceiling height :  
8' ceiling : use (2) 12" rods  
9' ceiling : use (2) 6" rods and (2) 12" rods



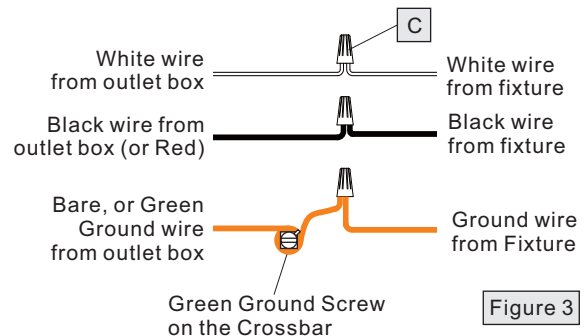
#### STEP 2 - Install the Crossbar to the junction box

- Attach the Crossbar (A) to the Outlet Box with the head of the Green Ground Screw facing you. Secure it with Outlet Box Screws (D), tighten until snug.



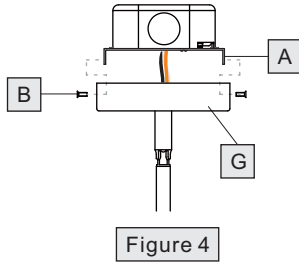
#### STEP 3 - Making the Wire Connections

- Use standard wire connectors (C) to make all wire connections. Twist connectors until wires are tightly joined together. Wrap each connection with approved electrical tape and carefully stuff all the connected wires into outlet box.



#### STEP 4 - Attach Ceiling Canopy to Crossbar

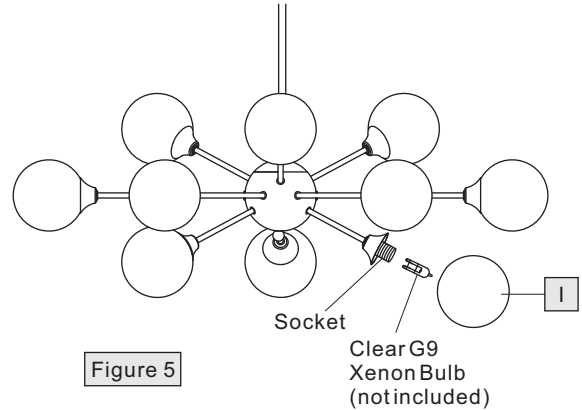
- A. Line up the holes on the side of the Ceiling Canopy (G) to the mounting holes on the Crossbar (A). Secure them with Mounting Screws (B). Tighten until snug.



#### STEP 5 - Install Bulbs and Shades

- A. This fixture uses clear G9 Xenon bulbs (not included) with G9 base. Maximum 40 watts. Push snugly into place. **IMPORTANT:** Do not touch the bulb with bare hands use a cloth or glove.  
B. Thread Shades (I) onto sockets and hand tighten gently until snug.

Your fixture is now assembled and ready to use. Enjoy!



#### CAUTION FOR BULB REPLACING

- A. When replace bulb, turn off power and allow lamp to cool. For safety purpose, wear gloves and eye protection.  
B. If bulb is scratched or cracked, DO NOT use the lamp to avoid breakage during use or installation.  
C. Use only in fixtures rated for lamps wattage and voltage.  
D. Lamp operate under high pressure generating intense heat. Prevent contact with liquid and combustible materials.