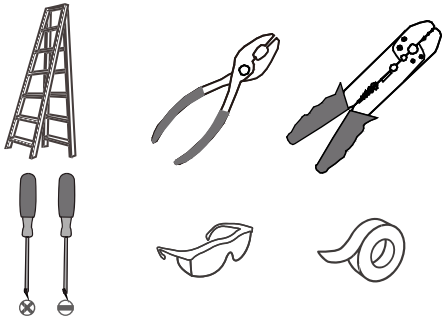
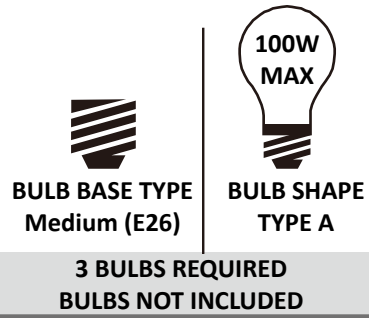


Tools Required



Light Source



Warnings and Cautions

Turn off the electricity at the circuit breaker before installation. Consult a licensed electrician if in doubt about installation.

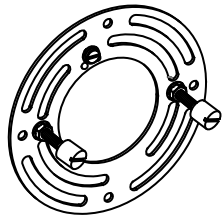
Turn off power to the fixture and allow the bulbs to cool before replacing.

Package Contents

Preparation: Identify and inspect all parts before beginning the installation.

Missing or damaged parts? Contact your original place of purchase.

PARTS BAG



A Crossbar Assembly x 1



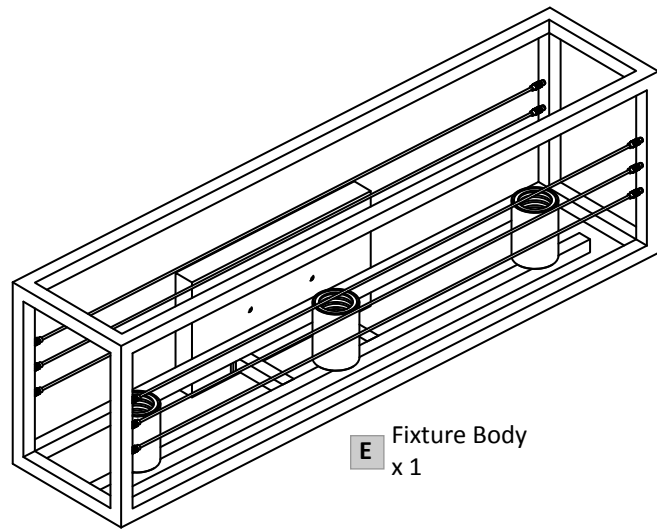
B Alternate Mounting Screw x 2



C Outlet Box Screw x 2



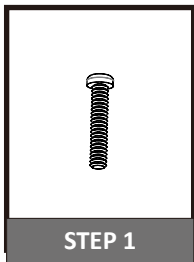
D Wire Connector x 3



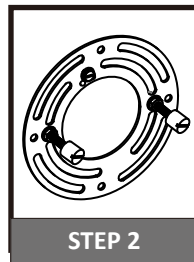
E Fixture Body x 1

Table of Contents

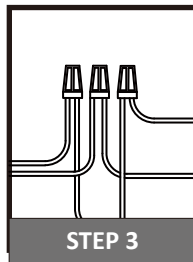
Alternate Mounting Screw



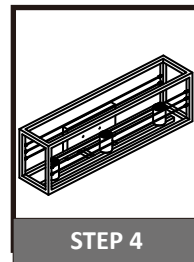
Crossbar Assembly



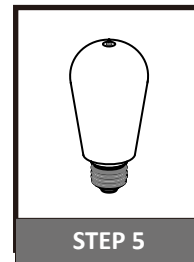
Wiring



Fixture Body

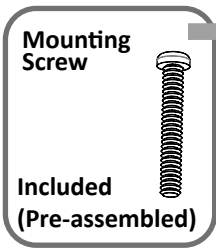


Bulb



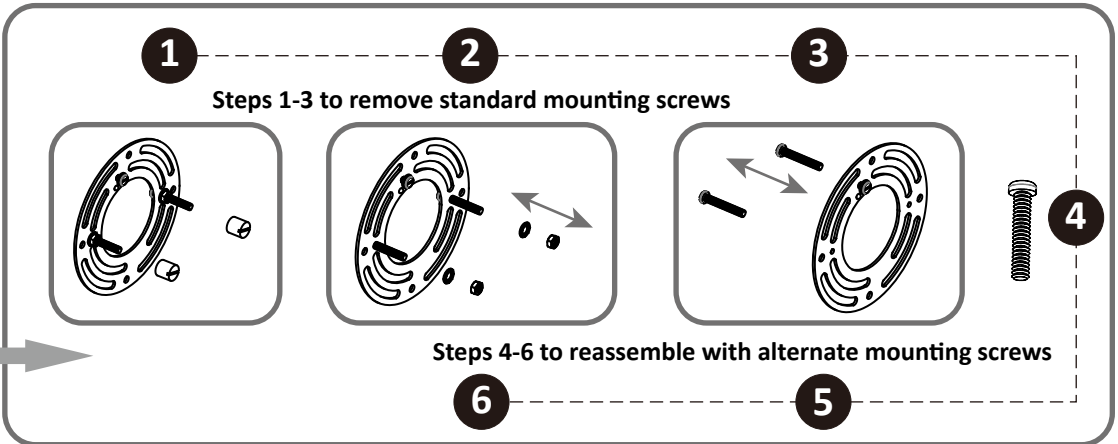
STEP 1

OPTION 1



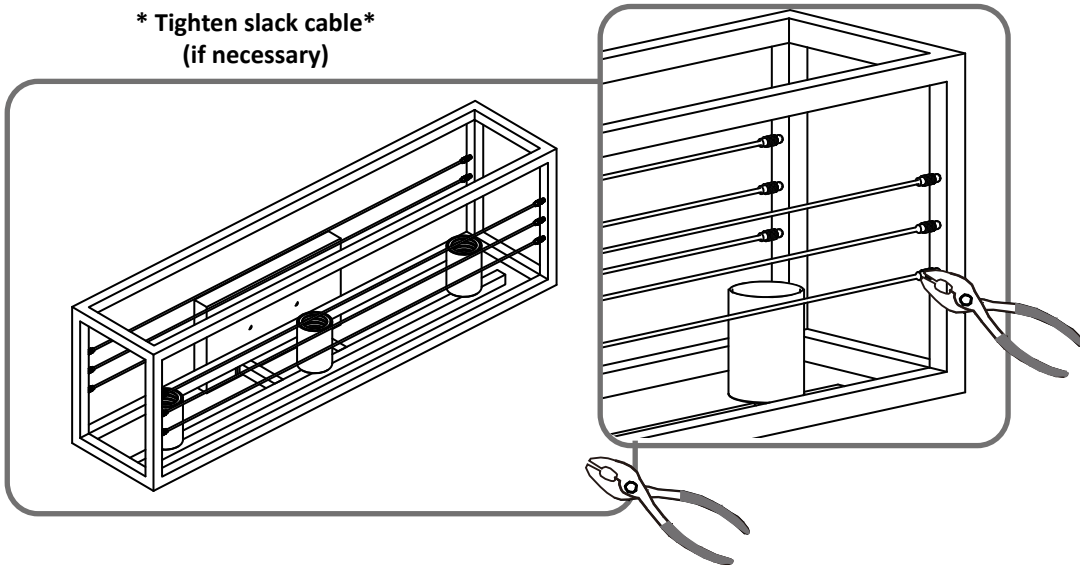
Skip to next step

OPTION 2



STEP 2

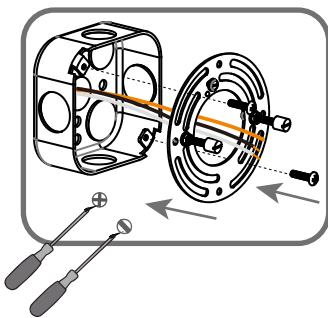
* Tighten slack cable*
(if necessary)



STEP 3

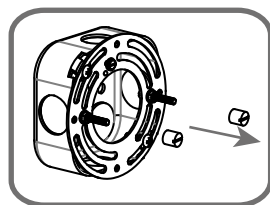
1

Step 1
Install crossbar assembly

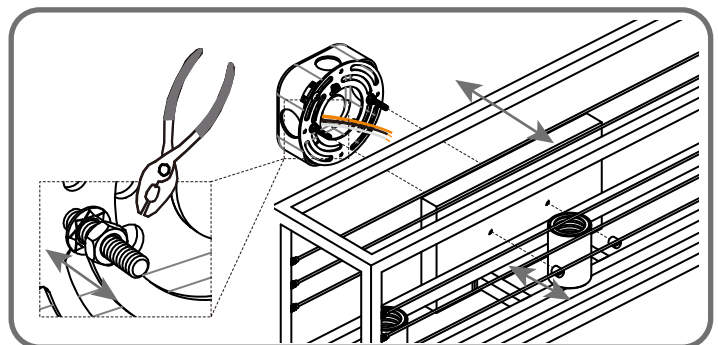


2

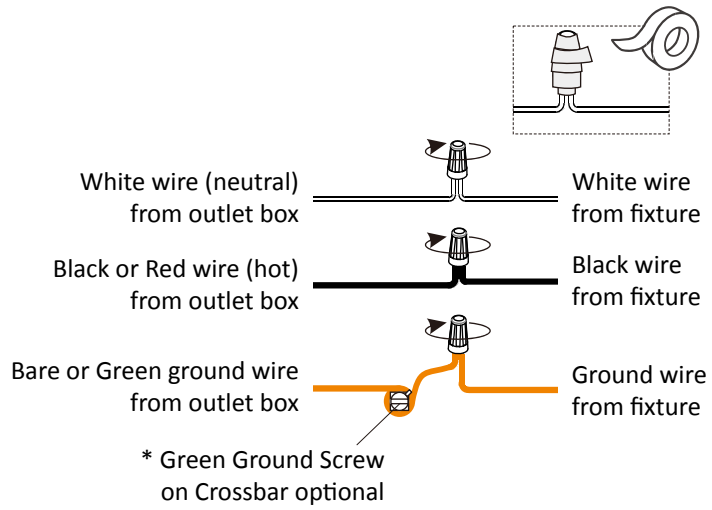
Step 2-3
Tie fitting backplate to mounting screws



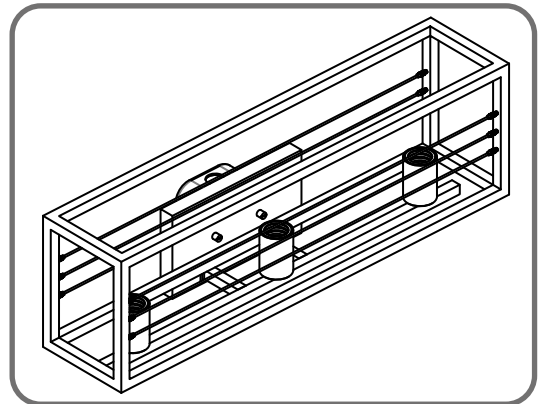
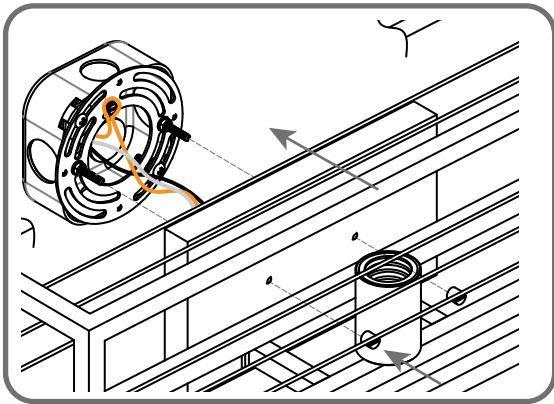
3



STEP 4



STEP 5



STEP 6

