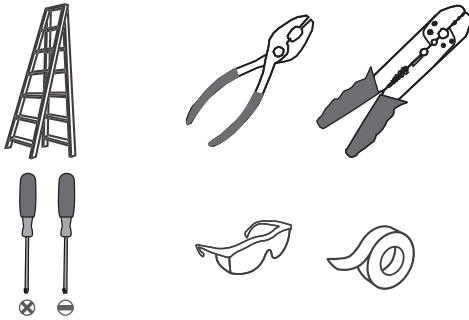


Tools Required



Light Source

46W
LED

**Fixture Height Adjustable
7.75" to 97.75"**

⚠ Warnings and Cautions

Turn off the electricity at the circuit breaker before installation. Consult a licensed electrician if in doubt about installation.

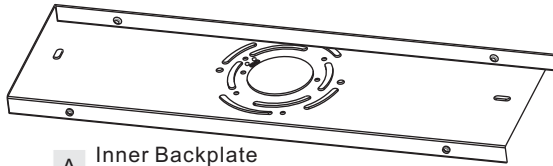
Turn off power to the fixture and allow the bulbs to cool before replacing.

Package Contents

Preparation: Identify and inspect all parts before beginning the installation.

Missing or damaged parts? Contact your original place of purchase.

PARTS BAG



A Inner Backplate
x 1



B Wall Anchor
x 2



C Washer
x 2



D Screw
x 2



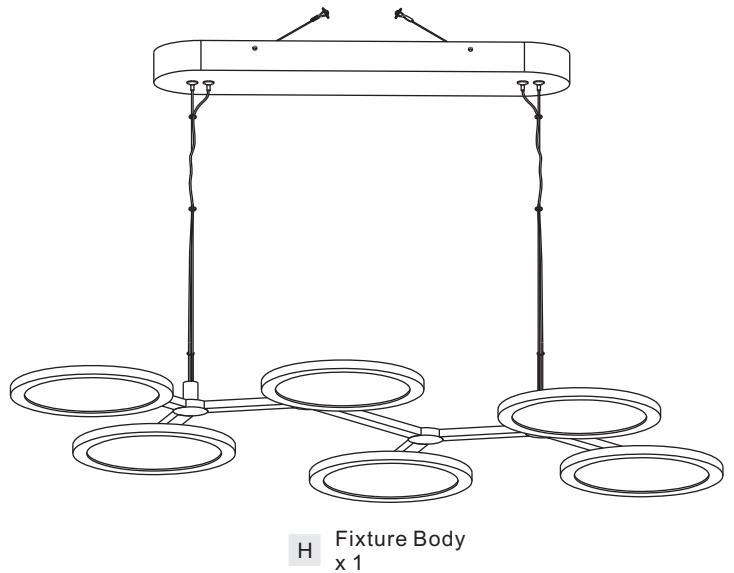
E Lock Screw
x 4



F Outlet Box Screw
x 2



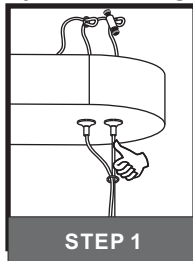
G Wire Connector
x 3



H Fixture Body
x 1

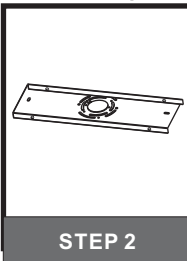
Table of Contents

Adjust Cord Length



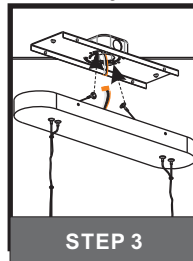
STEP 1

Inner Backplate



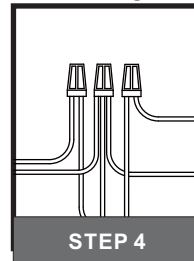
STEP 2

Lanyard



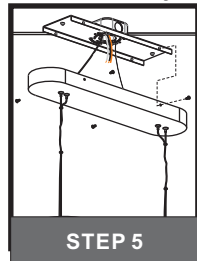
STEP 3

Wiring



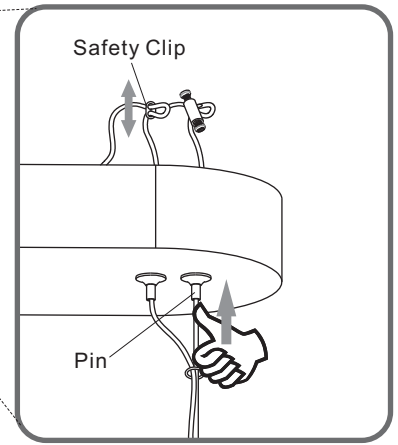
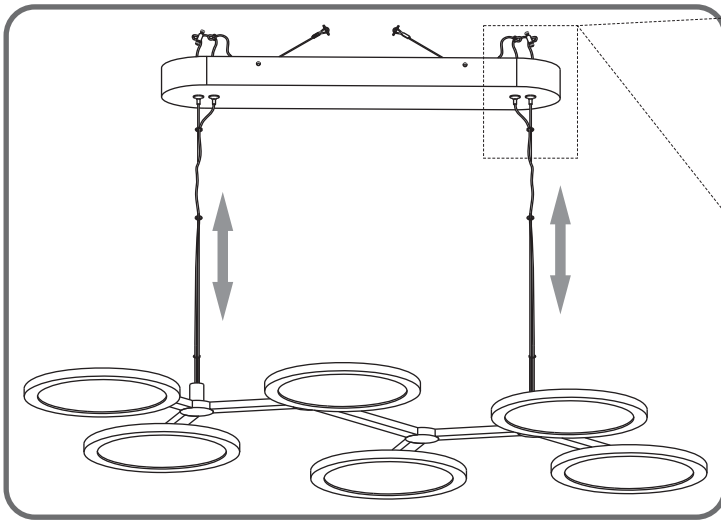
STEP 4

Fixture Body



STEP 5

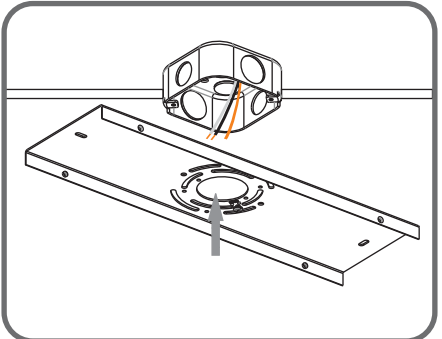
STEP 1



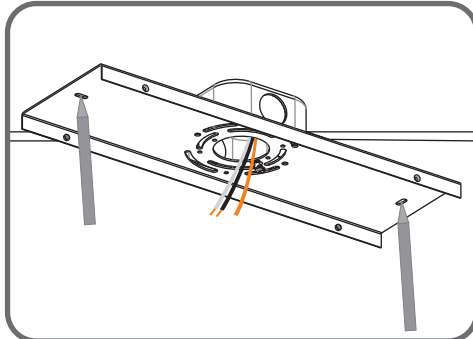
STEP 2

- 1
- 2
- 3

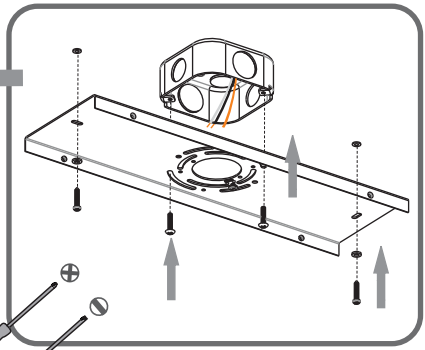
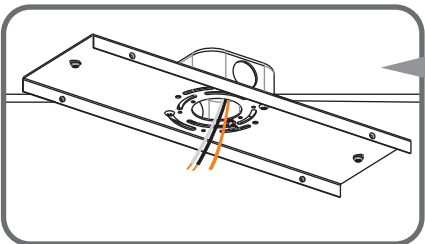
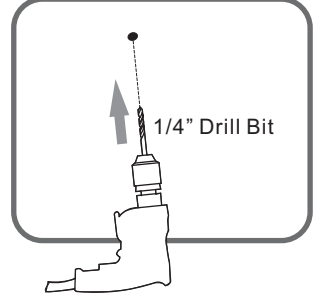
Fit inner backplate to outlet box



Mark anchor holes location on the ceiling

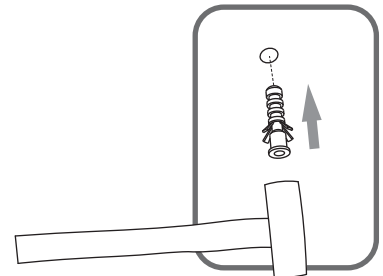


Drill holes for anchors from marks



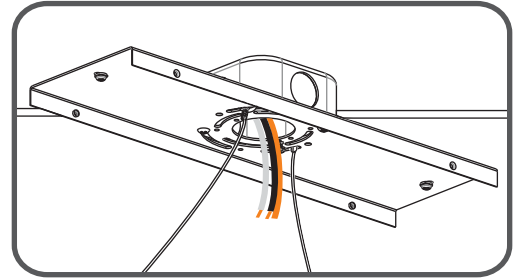
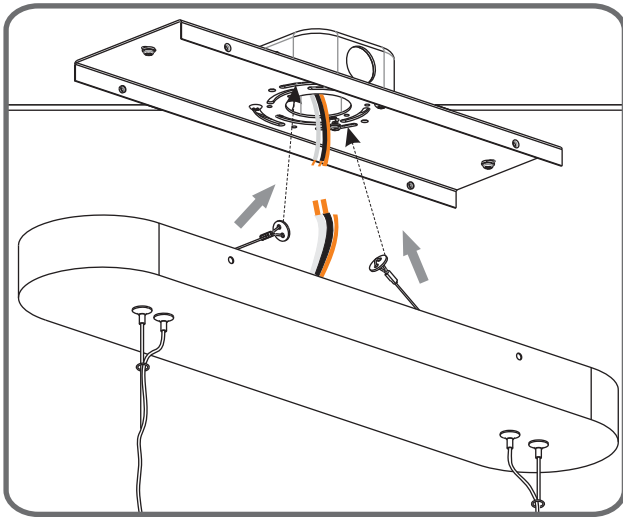
Install inner backplate

- 5
- 4

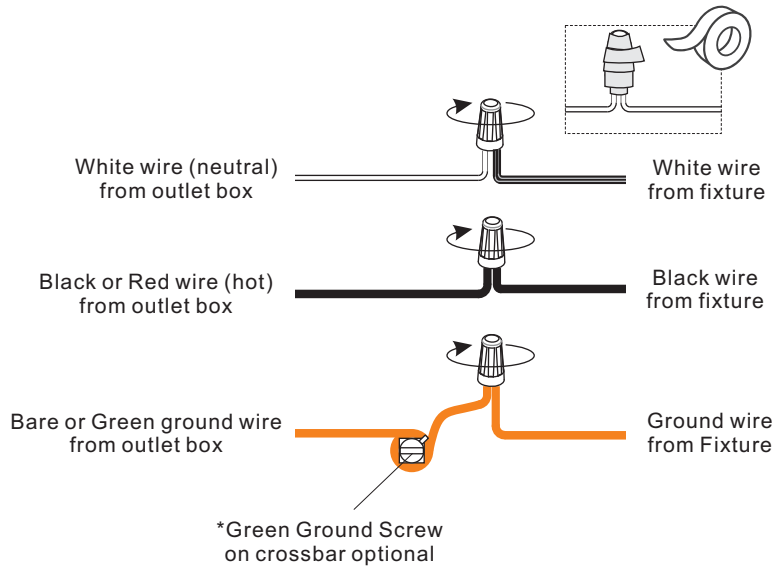


Install wall anchors

STEP 3



STEP 4



STEP 5

