

Please go to [www. quozel. com](http://www. quozel. com) for product cleaning tips. Go to the **Care + Maintenance** selection.

**Tools Required:** Flathead screwdriver, Phillips screwdriver, pliers, wire cutters, wire strippers, electrical tape, safety glasses.

**Light Source:** (1) A19 Medium Base Bulb 100W Maximum

**Estimated Assembly Time:** 30-45 minutes

**Preparation:** Identify and inspect all parts before beginning installation. Check package content list and diagrams below to be sure all parts are present. If any parts are missing or damaged, do not attempt to assemble, install, or operate the fixture. Contact customer service for replacement parts.

**Fixture can only be mounted in the direction indicated on page 2.**

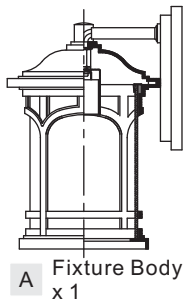
### ⚠ Warnings and Cautions

Turn off electricity at circuit breaker or main fuse box before installation. Consult a licensed electrician if in doubt.

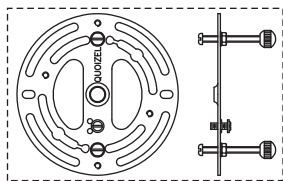
These instructions are provided for your safety. It is very important you read them completely before installing the fixture. We strongly recommend that a licensed, professional electrician perform the installation.

Disconnect fixture from power source before replacing bulbs. Make sure bulbs are given sufficient time to cool before removal.

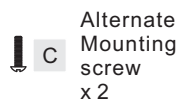
### Package Contents



A Fixture Body x 1



B Crossbar Assembly x 1



C Alternate Mounting Screw x 2

### STEP 1 – Instal Shade

- Unscrew the Lock Screw, remove the Cage, the Glass Shade and the Tab from the Fixture Body (A). Remove the Styrofoam from inside of the shade.
- Place Glass Shade into the Cage, secure by place the Tab into the Cage press on the Glass Shade.
- Align the label "A" on the bottom of the fixture hood to the label "A" on the top edge of the cage. Place the fixture hood onto the top edge of the cage and secure with lock screws. Hand tighten until snug with screwdrivers.

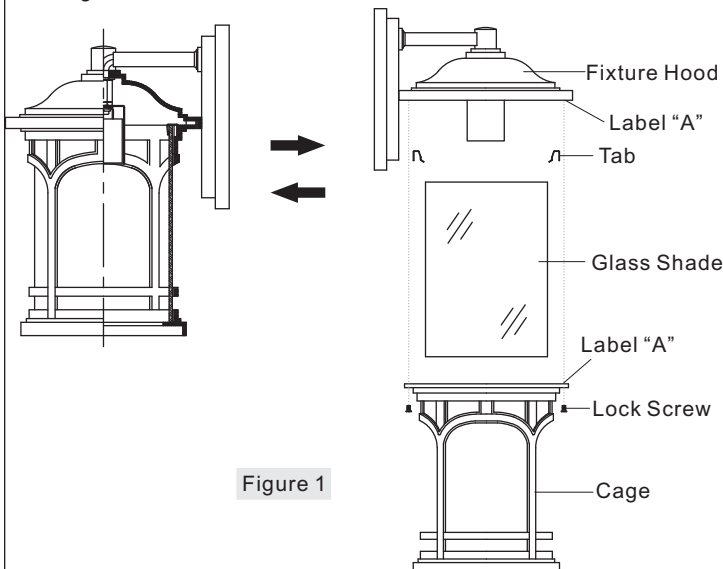


Figure 1

### STEP 2 – Install Crossbar Assembly

- Pass the supply wires through the Crossbar Assembly (B). Attach the Crossbar Assembly (B) to the Outlet Box with the head of the Green Ground Screw facing you. Secure it with Outlet Box Screws (not included). Tighten until snug.

Note: Use the Alternate Shorter Mounting Screw (C) if your installation requires a shorter mounting screw.

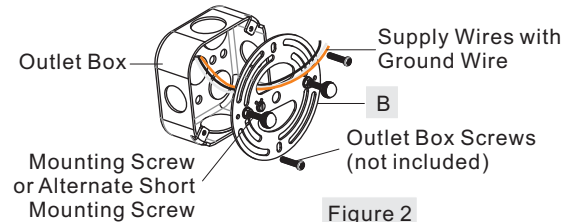


Figure 2

### STEP 3 – Test Fit the Backplate to the Crossbar Assembly

- Remove the mounting balls from the Crossbar Assembly (B). Place the backplate and Fixture Body (A) onto the Crossbar Assembly (B) and secure with mounting balls. Note: The backplate and Fixture Body (A) should be snug against the wall and held tight with the mounting balls. If it is not, adjust the length of the mounting screws or alternate short mounting screws on the Crossbar Assembly (B) by unscrewing the preassembled hex nut and lock washer and then screwing the mounting screws or alternate short mounting screws in or out of the crossbar until the correct length is achieved. Once the backplate and Fixture Body (A) is secure, remove the mounting ball and Fixture Body (A) and proceed to Step 4.

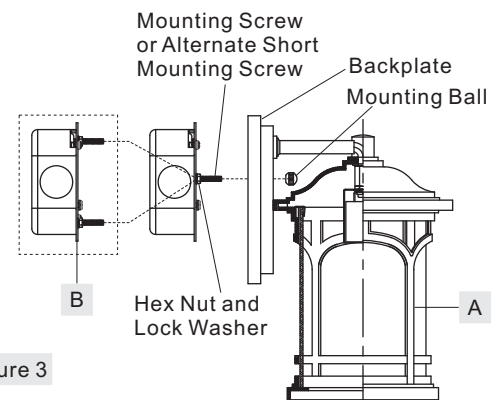


Figure 3

**Thank you for purchasing a Quoizel product.**  
**Need assistance with parts or assembly? Call Quoizel customer service at 1-800-645-3184**  
**or visit us on-line at [www. quozel. com](http://www. quozel. com)**

### STEP 4 - Wire Connections

A. Use standard wire connectors (not included) to make all wire connections. Twist connectors until wires are tightly joined together. Wrap each connection with approved electrical tape and carefully stuff all the connected wires into the Outlet Box.

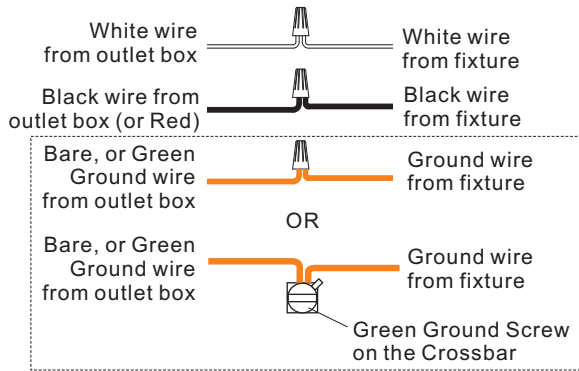


Figure 4

### STEP 5 - Install the Fixture Body

A. Position the backplate and Fixture Body (A) onto the Crossbar Assembly (B). Place the holes in the backplate over the mounting screws. Secure the backplate and Fixture Body (A) by using the mounting balls and hand tighten the mounting balls until snug.

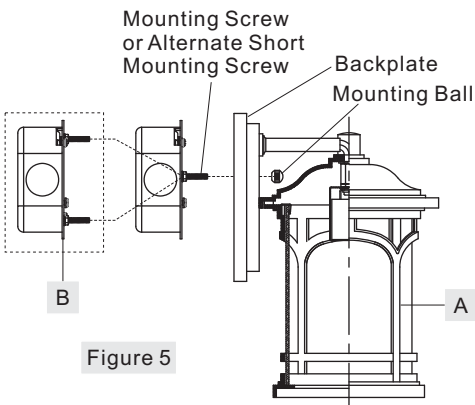


Figure 5

### STEP 6 - Install the Bulb and Apply Silicone Sealer

A. Insert the bulb onto socket and screw snugly into place.  
 B. Make sure the exterior wall surface and fixture backplate are free of dirt before applying caulk. Using exterior grade caulk, caulk over top of backplate and down both sides. Do not caulk the bottom of the fixture backplate to ensure proper moisture drainage.

Your fixture is now assembled and ready to use. Enjoy!

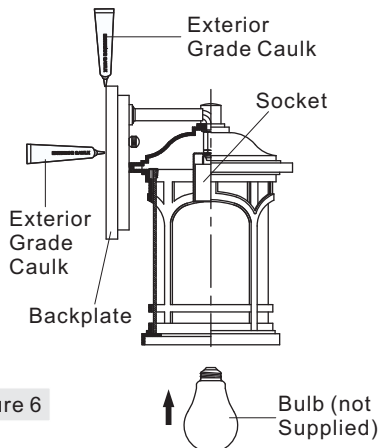
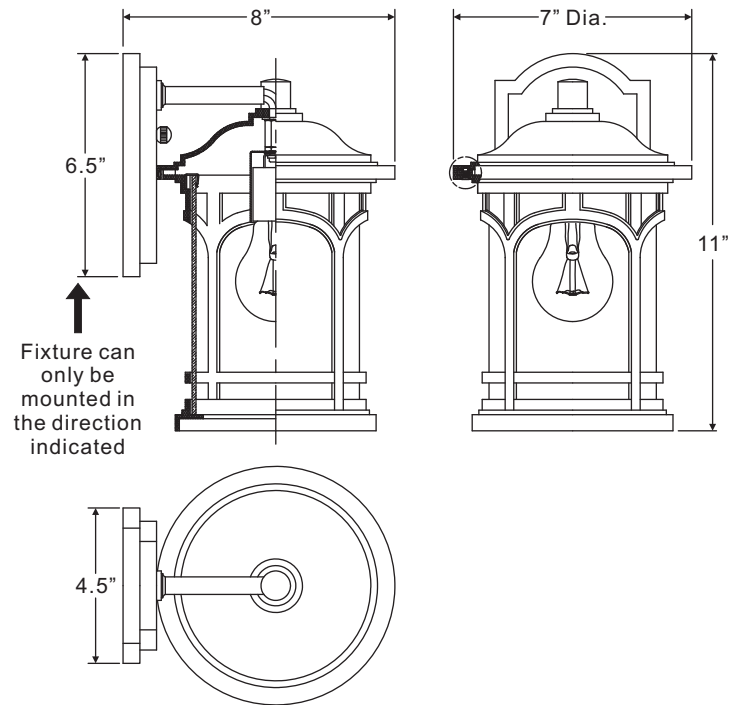
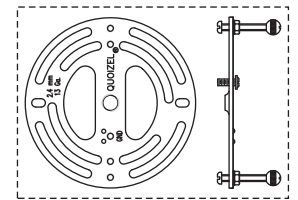


Figure 6

MBH8407PN  
 FINISH: PALLADIAN BRONZE



NOTE: ALL DIMENSIONS ARE ROUNDED UP TO THE NEAREST 1/4"

Thank you for purchasing a Quoizel product.  
 Need assistance with parts or assembly? Call Quoizel customer service at 1-800-645-3184  
 or visit us on-line at [www.quoise.com](http://www.quoise.com)