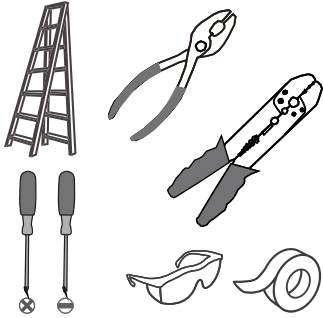
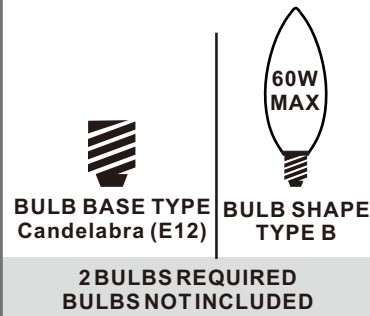


**Tools Required**



**Light Source**



**Warnings and Cautions**

Turn off the electricity at the circuit breaker before installation. Consult a licensed electrician if in doubt about installation.

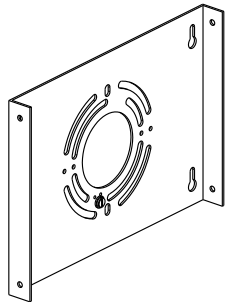
Turn off power to the fixture and allow the bulbs to cool before replacing.

**Package Contents**

**Preparation:** Identify and inspect all parts before beginning the installation.

Missing or damaged parts? Contact your original place of purchase.

**PARTS BAG**



**A** Inner Backplate  
x 1

**B** Mounting Screw  
x 4

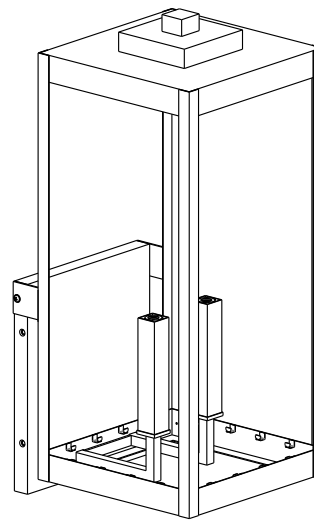
**C** Outlet Box Screw  
x 2

**D** Wire Connector  
x 3

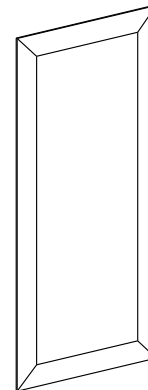
**F** Flat Washer  
x 4

**E** Wall Anchor  
x 4

**G** Screw  
x 4



**H** Fixture Body  
x 1



**I** Glass Panel  
x 4

\*Glass panels may be different than pictured based on which item was purchased.\*

**Table of Contents**

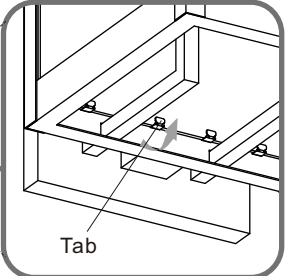
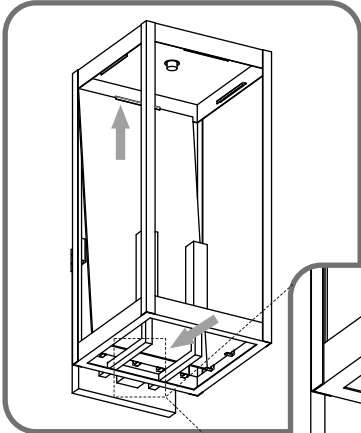
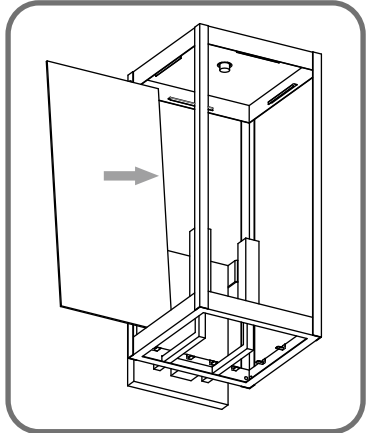
Glass panels	Inner backplate	Lanyard	Wiring	Fixture Body	Bulbs	Caulk
STEP 1	STEP 2	STEP 3	STEP 4	STEP 5	STEP 6	STEP 7

**STEP 1**

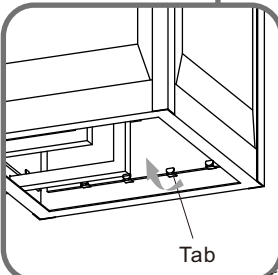
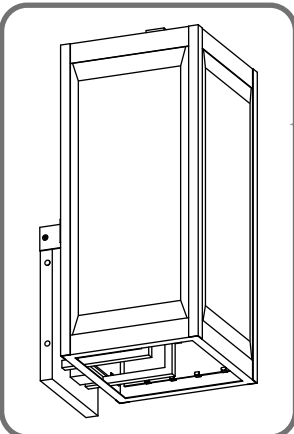
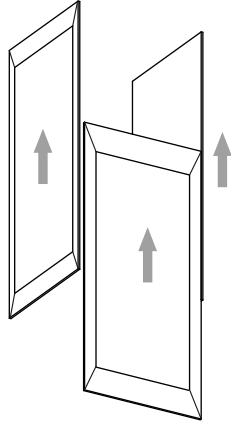
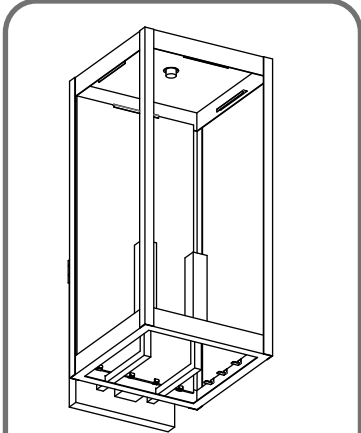
1

2

Steps 1-2 to install one glass panel into the back of the cage



\*Glass panels may be different than pictured based on which item was purchased.\*



Steps 3-4 to install rest glass panels

4

3

**STEP 2**

1

1

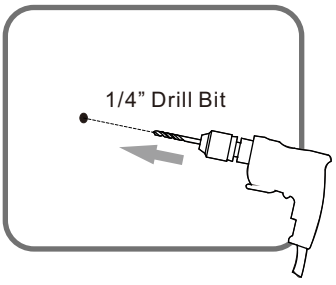
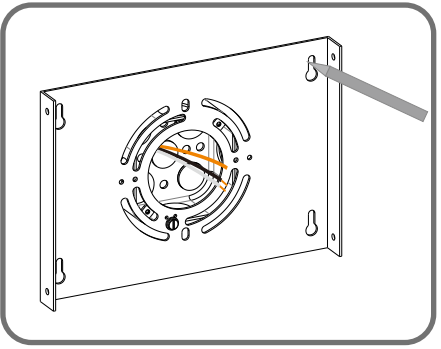
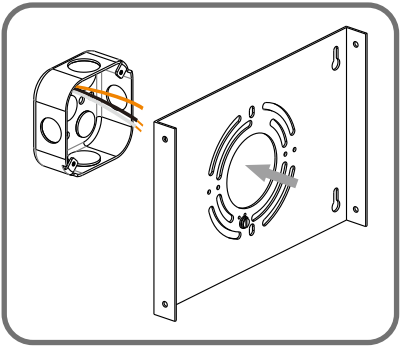
3

▶ NEXT PAGE

Fit Inner Backplate to Outlet Box

Mark Anchor Holes Location on the Wall

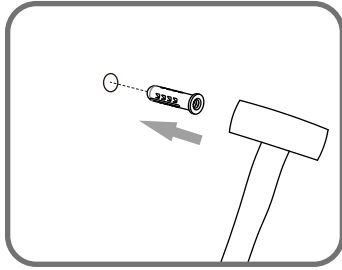
Drill Holes for Anchors from marks



## STEP 2 (Continued)

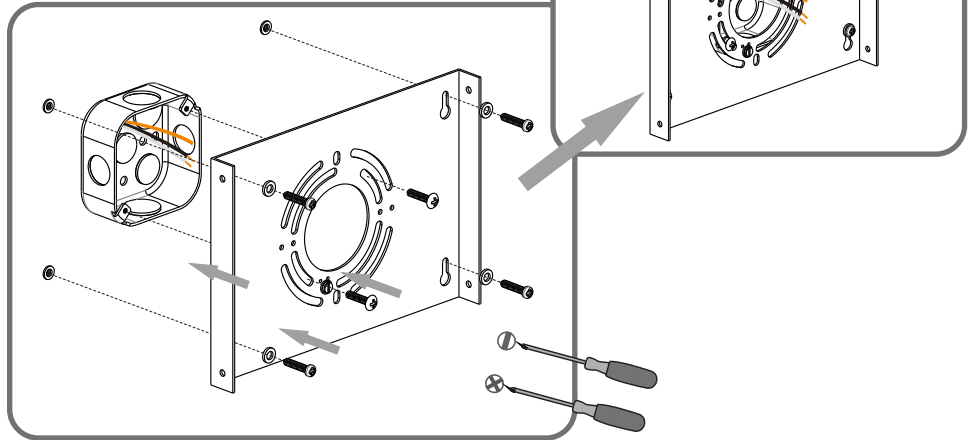
4

Install Wall Anchors

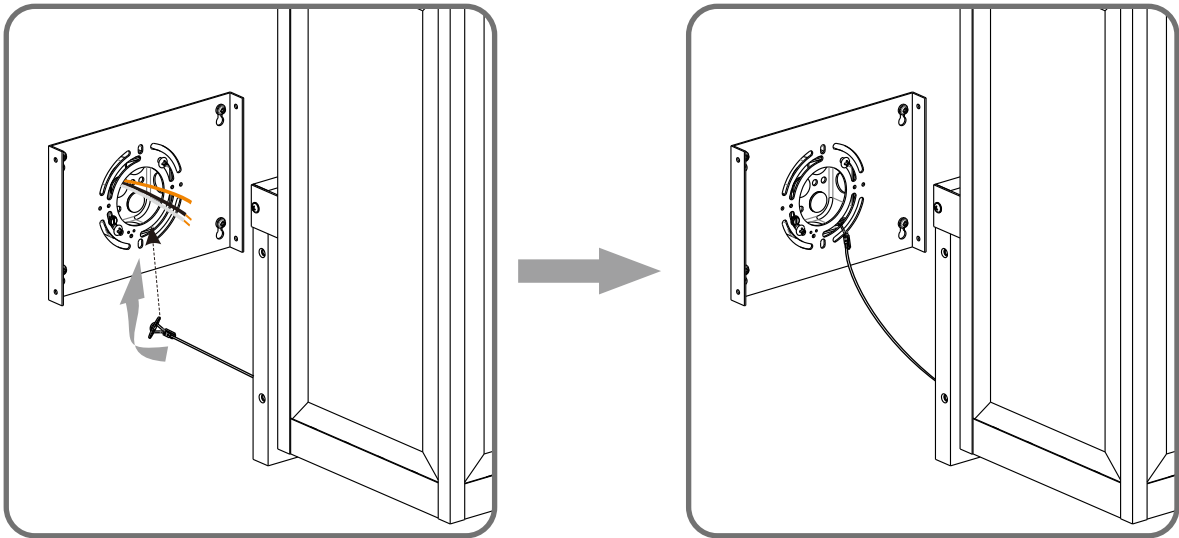


5

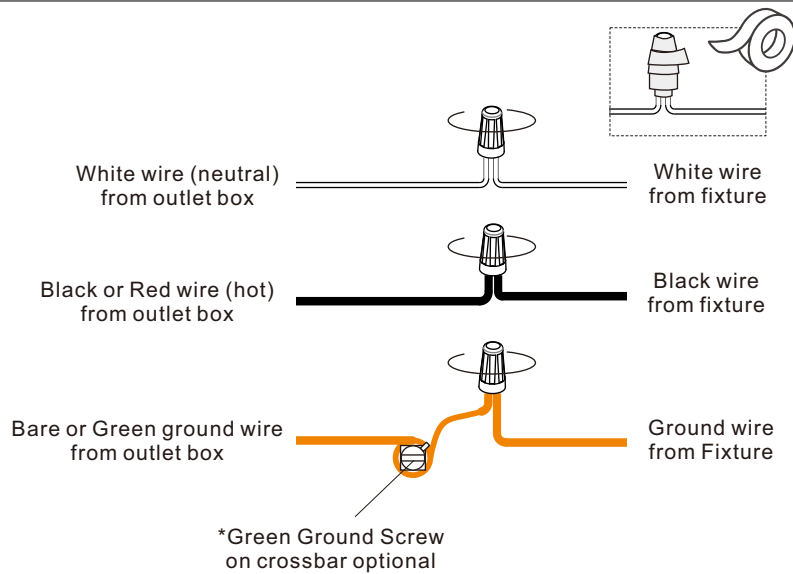
Install Inner Backplate



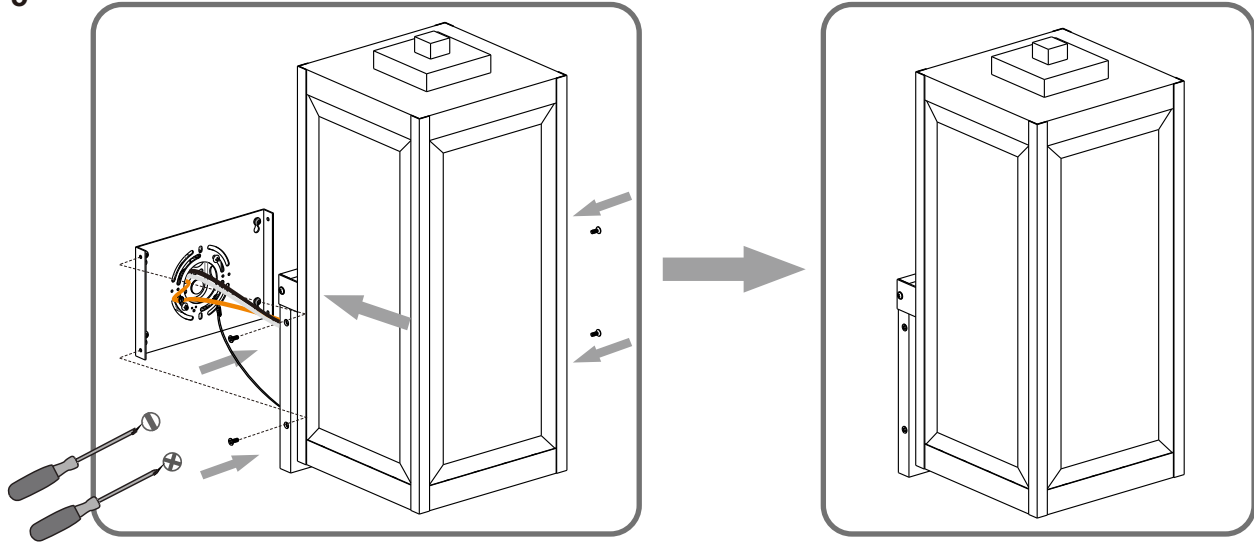
## STEP 3



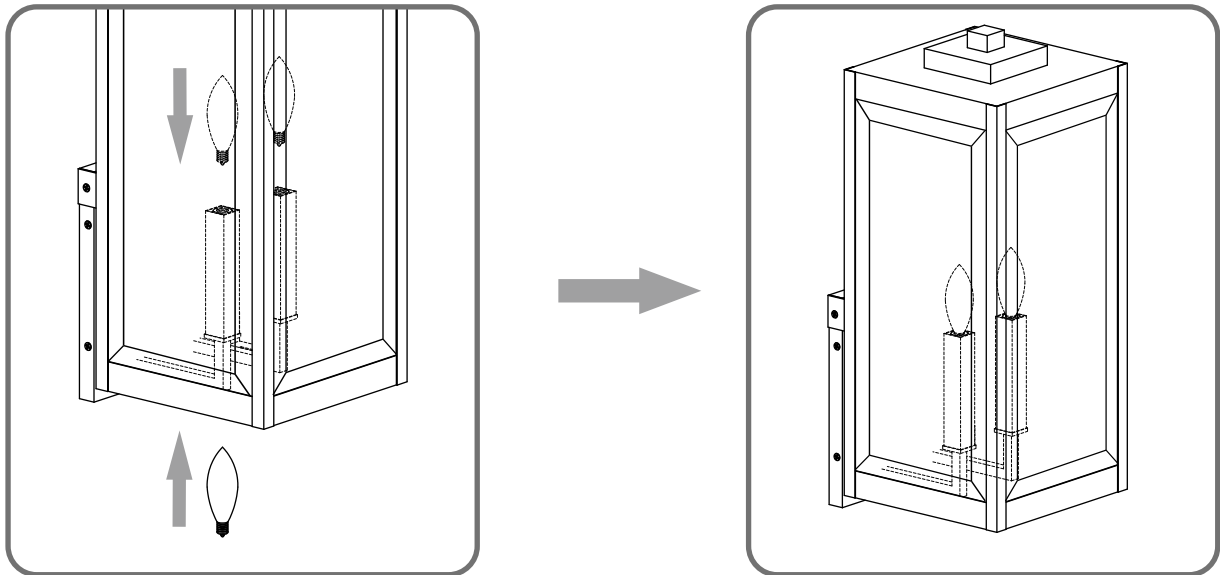
## STEP 4



**STEP 5**



**STEP 6**



**STEP 7**

