

Please go to [www. quozel. com](http://www. quozel. com) for product cleaning tips. Go to the **Care + Maintenance** selection.

**Tools Required:** Flathead screwdriver, Phillips screwdriver, pliers, wire cutters, wire strippers, electrical tape, safety glasses.

**Light Source:** (1) Medium Base 60W Vintage Bulb (supplied), 100W Maximum.

**Estimated Assembly Time:** 30-45 minutes

**Preparation:** Identify and inspect all parts before beginning installation. Check package content list and diagrams below to be sure all parts are present. If any parts are missing or damaged, do not attempt to assemble, install, or operate the fixture. Contact customer service for replacement parts.

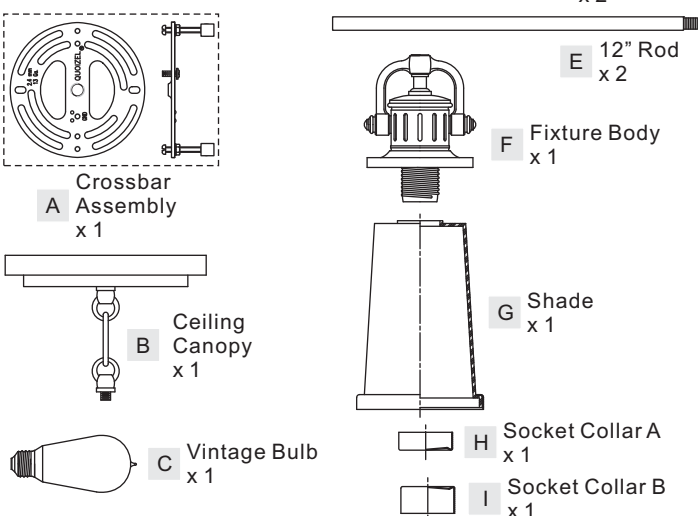
**⚠ Warnings and Cautions**

Turn off electricity at circuit breaker or main fuse box before installation. Consult a licensed electrician if in doubt.

These instructions are provided for your safety. It is very important you read them completely before installing the fixture. We strongly recommend that a licensed, professional electrician perform the installation.

Disconnect fixture from power source before replacing bulbs. Make sure bulbs are given sufficient time to cool before removal.

**Package Contents**



**STEP 2 – Installing the Crossbar Assembly**

A. Pass the supply wires through the Crossbar Assembly (A). Attach the Crossbar Assembly (A) to the Outlet Box with the head of the Green Ground Screw facing you. Secure the Crossbar Assembly (A) with Outlet Box Screws (not included). Tighten until snug.

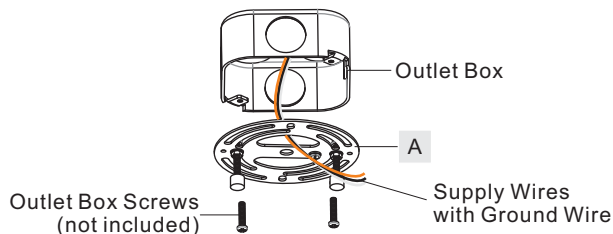


Figure 2

**STEP 1 - Install Ceiling Canopy, Rods and Fixture Body together**

- A. Determine the Rods (D/E) to be assembled to the Fixture Body (F) according to your hanging height.
- B. Pass the supply wires and ground wire through the chosen rods (D/E) and the Ceiling Canopy (B). Thread the Fixture Body (F), the chosen Rods (D/E) and the Ceiling Canopy (B) together. Hand tighten until snug.

Suggested rods for Ceiling height :

- 8' ceiling : use (1) 6" Rod and (1) 12" rod
- 9' ceiling : use (1) 6" rod and (2) 12" rods
- 10' ceiling : use (2) 6" rods and (2) 12" rods

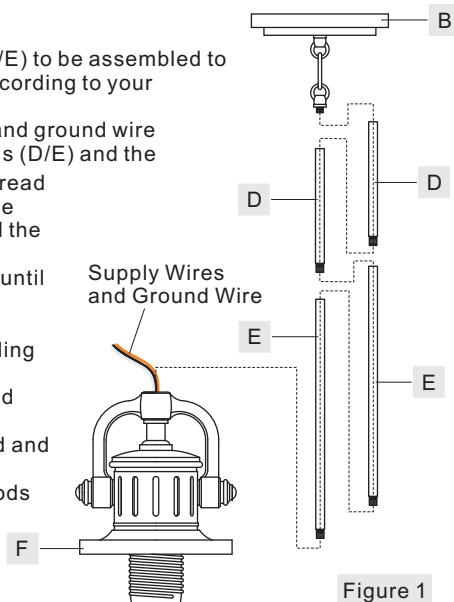


Figure 1

**STEP 3 – Test Fit the Ceiling Canopy to the Crossbar Assembly**

A. Remove the mounting balls from the Crossbar Assembly (A). Place the Ceiling Canopy (B) onto the Crossbar Assembly (A) and secure with mounting balls. Note: The Ceiling Canopy (B) should be snug against the ceiling and held tight with the mounting balls. If it is not, adjust the length of the mounting screws on the Crossbar Assembly (A) by unscrewing the preassembled hex nut and lock washer and then screwing the mounting screws in or out of the crossbar until the correct length is achieved. Once the Ceiling Canopy (B) is secure, remove the mounting ball and Ceiling Canopy (B) and proceed to Step 4.

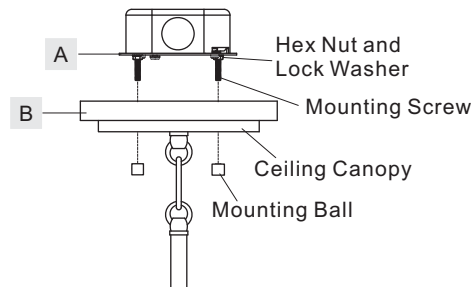


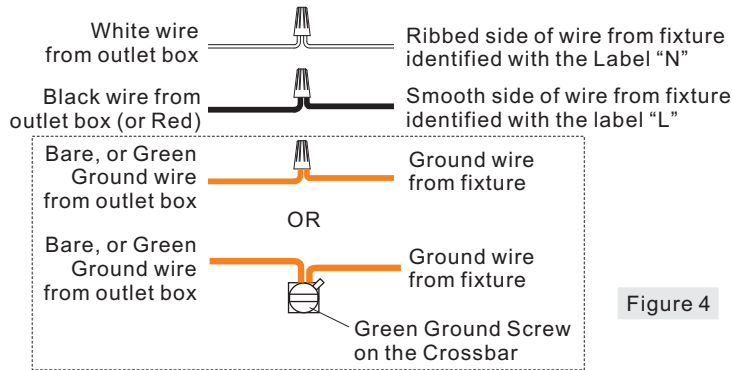
Figure 3

**Thank you for purchasing a Quoizel product.**  
**Need assistance with parts or assembly? Call Quoizel customer service at 1-800-645-3184 or visit us on-line at [www. quozel. com](http://www. quozel. com)**

### STEP 4 - Making the Wire Connections

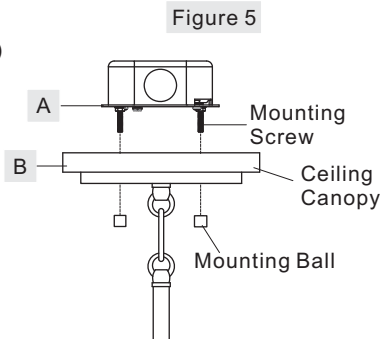
A. Use standard wire connectors (not included) to make all wire connections. Twist connectors until wires are tightly joined together. Wrap each connection with approved electrical tape and carefully stuff all the connected wires into outlet box.

Note: If the electrical wire is going to be cut shorter than provided you will need to identify the "L" line wire and the "N" neutral wire before you cut the excess wire off. One is labeled N and the other labeled L. To do this separate the "L" line wire and the "N" neutral wire as far as you need to. Re-label the wire near where you want to make the cut. Be sure to mark the wire on the side of the fixture and not on the excess wire being cut and removed.



### STEP 5 - Install the Fixture

A. Position the Ceiling Canopy (B) onto the Crossbar Assembly (A). Place the holes in the Ceiling Canopy (B) over the mounting screws. Secure the fixture by using the mounting balls and hand tighten the mounting balls until snug.



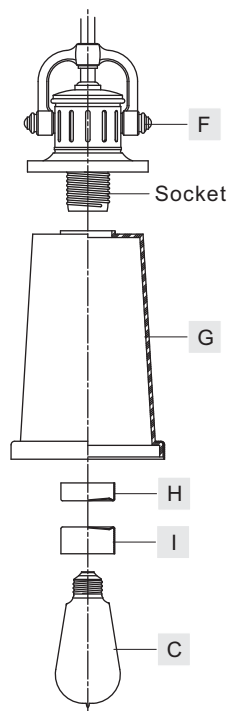
### STEP 6 - Install the Shade and the Bulb

A. Place the Shade (G) over the socket and secure with the Socket Collar A (H). Hand tighten until snug.

B. Thread the Socket Collar B (I) onto the socket to cover the socket.

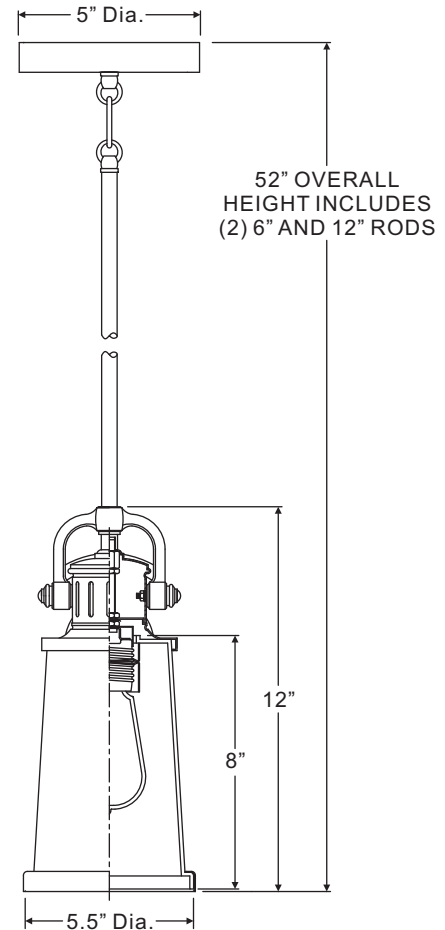
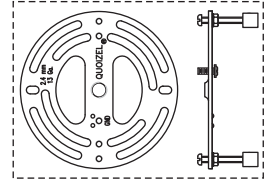
C. Install the Bulb (C) onto the socket and screw snugly into place.

Your fixture is now assembled and ready to use. Enjoy!



SDN15061B

FINISH: IMPERIAL BRONZE



NOTE: ALL DIMENSIONS ARE ROUNDED UP TO THE NEAREST 1/4"

Thank you for purchasing a Quoizel product.  
Need assistance with parts or assembly? Call Quoizel customer service at 1-800-645-3184  
or visit us on-line at [www.quoise.com](http://www.quoise.com)