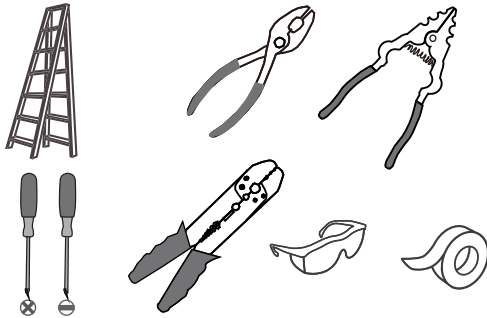
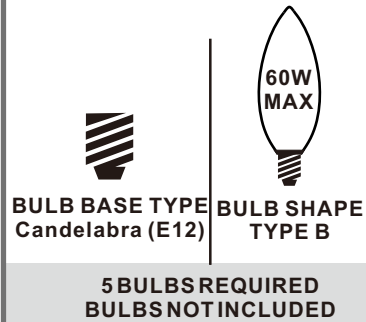


**Tools Required**



**Light Source**



**Fixture Height Adjustable  
28" to 76"**

**⚠ Warnings and Cautions**

Turn off the electricity at the circuit breaker before installation. Consult a licensed electrician if in doubt about installation.

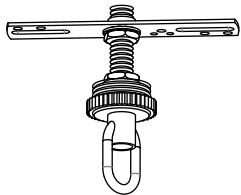
Turn off power to the fixture and allow the bulbs to cool before replacing.

**Package Contents**

**Preparation:** Identify and inspect all parts before beginning the installation.

Missing or damaged parts? Contact your original place of purchase.

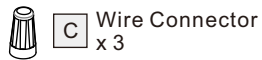
**PARTS BAG**



**A** Crossbar Assembly x 1



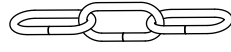
**B** Outlet Box Screw x 2



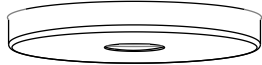
**C** Wire Connector x 3



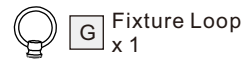
**D** Quick Link x 2



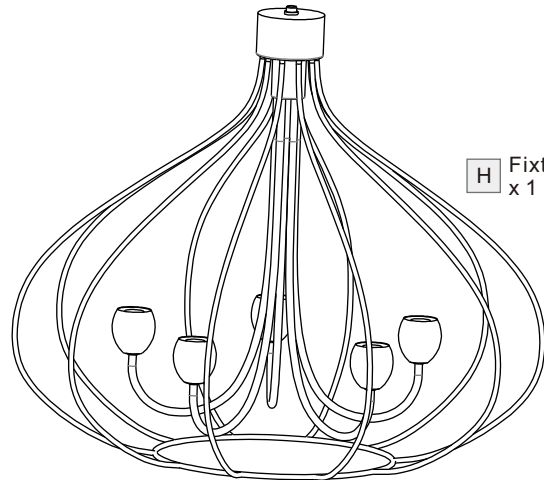
**E** Fixture Chain x 1



**F** Ceiling Canopy x 1



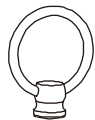
**G** Fixture Loop x 1



**H** Fixture Body x 1

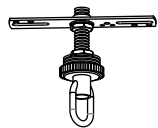
**Table of Contents**

**Fixture Loop**



STEP 1

**Crossbar Assembly**



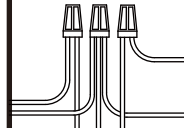
STEP 2

**Fixture Chain**



STEP 3

**Wiring**



STEP 4

**Ceiling Canopy**



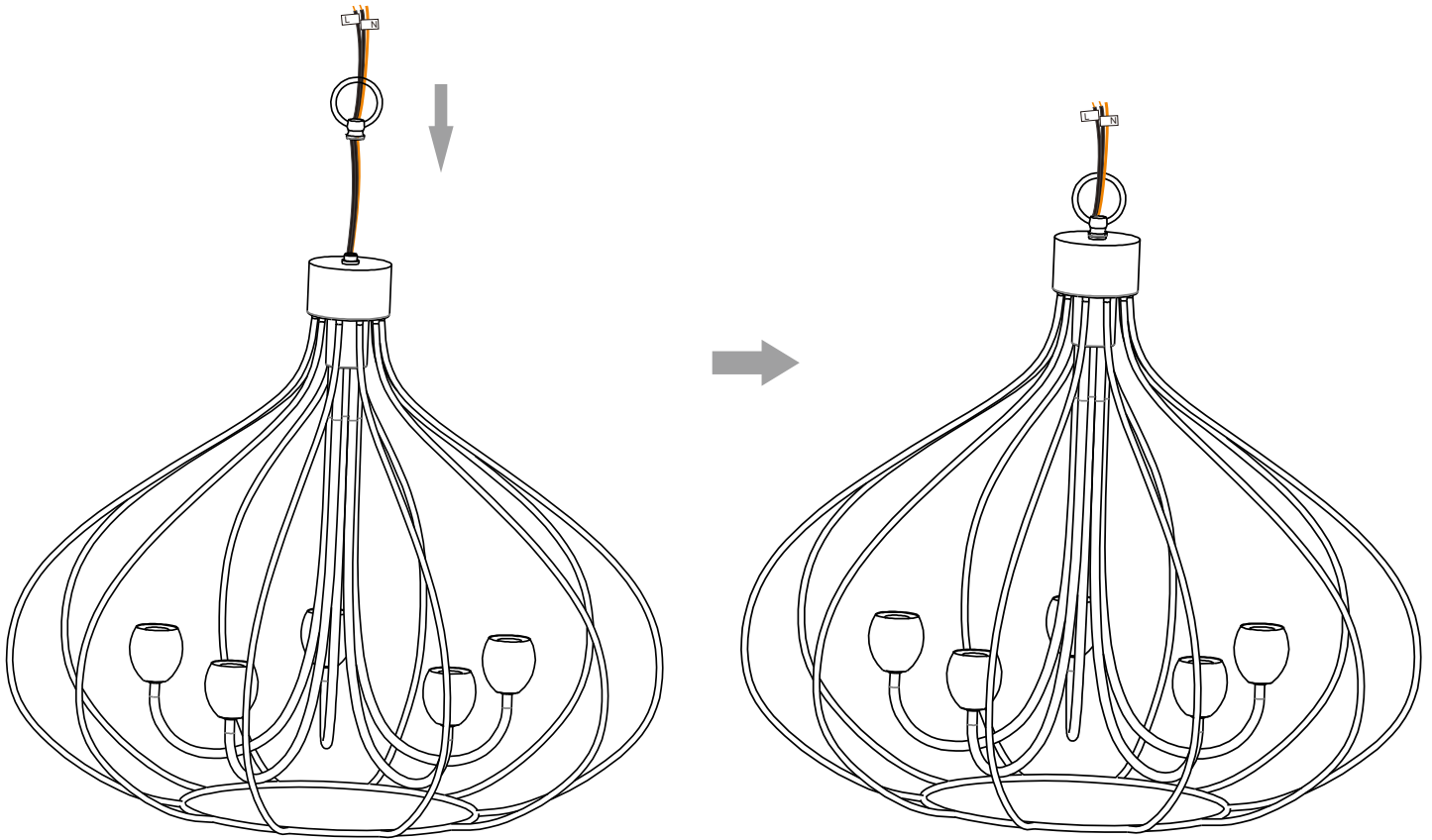
STEP 5

**Bulb**



STEP 6

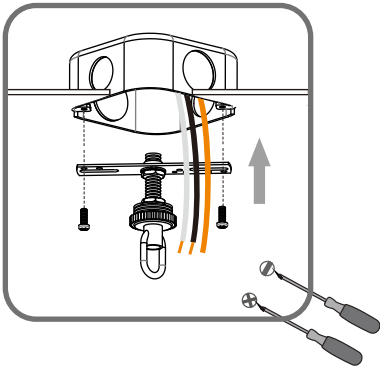
# STEP 1



# STEP 2

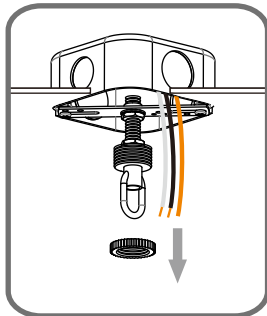
1

Step 1  
Install crossbar assembly

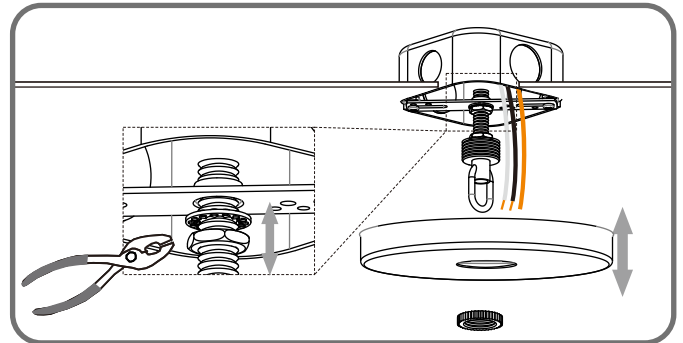


2

Step 2 - 3  
Test fitting ceiling canopy to nipple



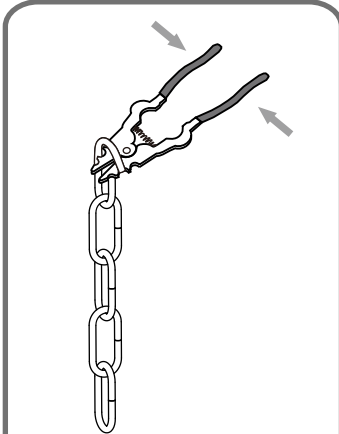
3



### STEP 3

1

Step 1  
Adjust fixture chain length

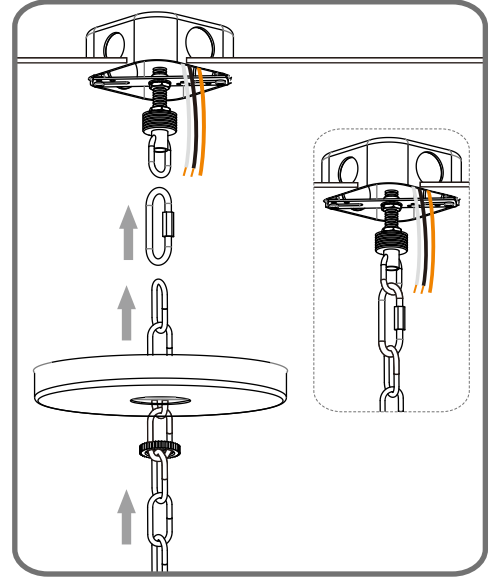
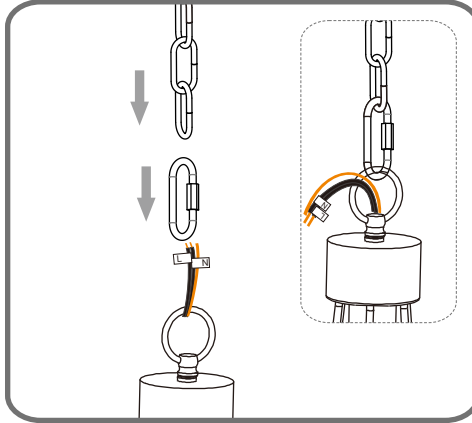


Suggested Chain Length:

- 8' ceiling: 8" Chain
- 9' ceiling: 20" Chain
- 10' ceiling: 32" Chain

2

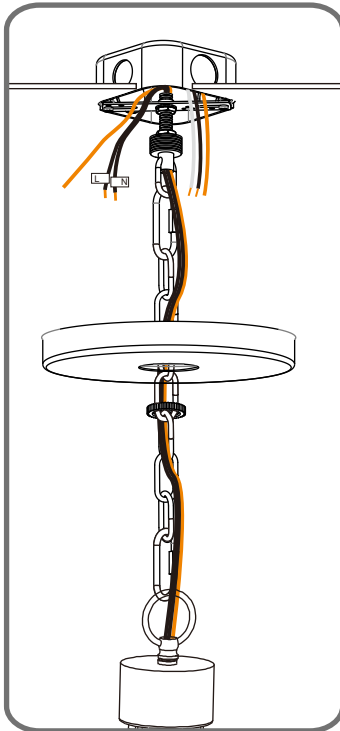
Step 2 - 3  
Install Fixture Chain



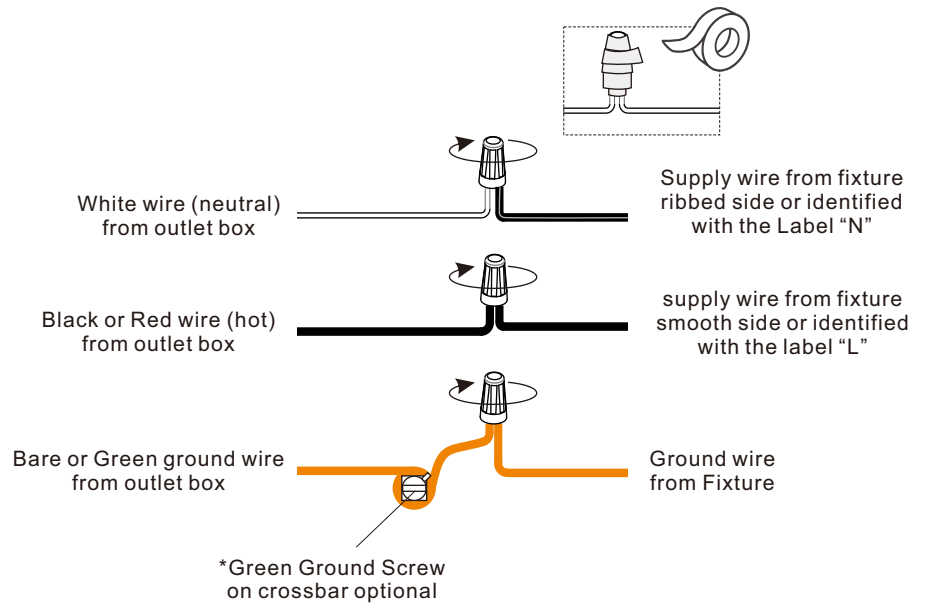
### STEP 4

1

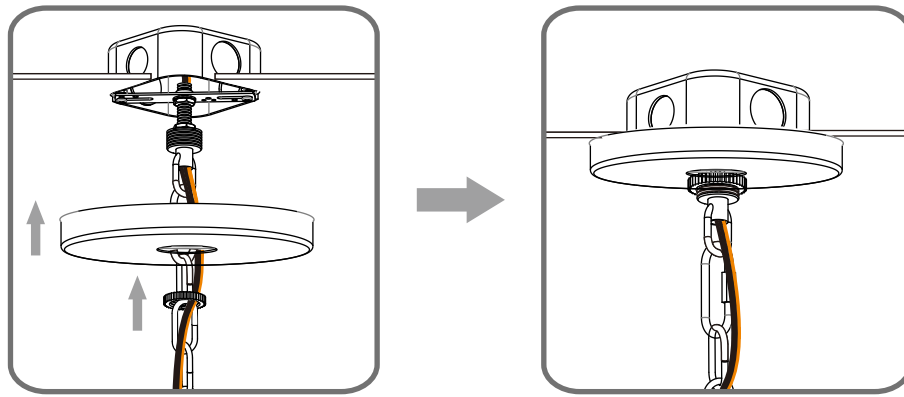
Step 1  
Feed the fixture wires  
through the loop



2



**STEP 5**



**STEP 6**

