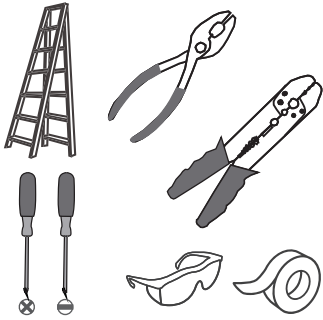
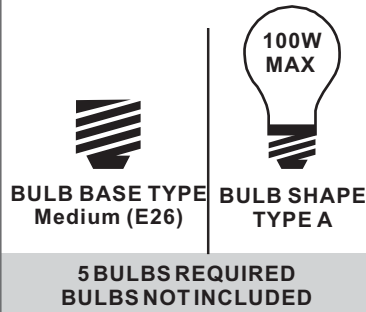


**Tools Required**



**Light Source**



**Warnings and Cautions**

Turn off the electricity at the circuit breaker before installation. Consult a licensed electrician if in doubt about installation.

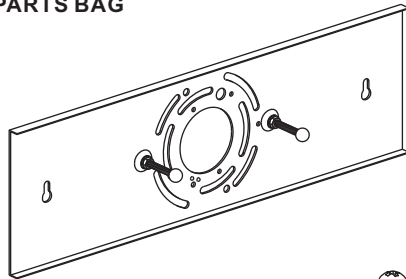
Turn off power to the fixture and allow the bulbs to cool before replacing.

**Package Contents**

**Preparation:** Identify and inspect all parts before beginning the installation.

Missing or damaged parts? Contact your original place of purchase.

**PARTS BAG**



**A** Inner Backplate Assembly x 1



**B** Wall Anchor x 2



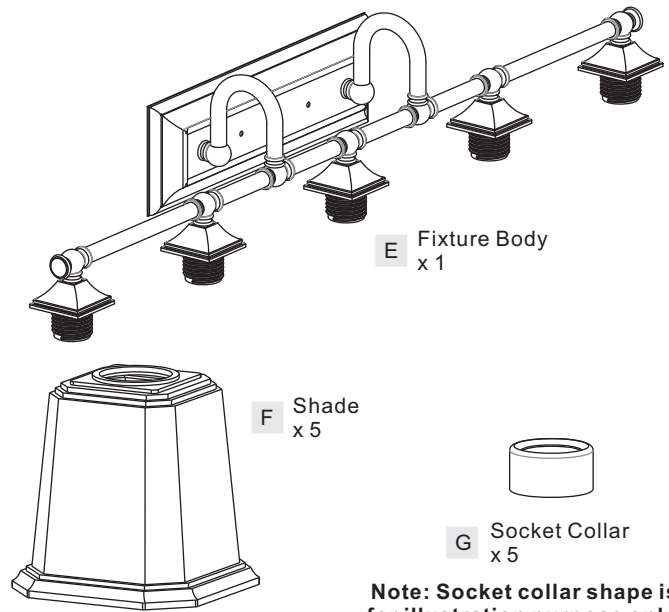
**D** Outlet Box Screw x 2



**C** Screw x 2



**E** Wire Connector x 3



**E** Fixture Body x 1

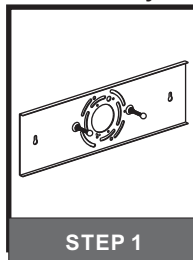
**F** Shade x 5

**G** Socket Collar x 5

**Note:** Socket collar shape is for illustration purpose only. Your socket collar shape may vary from illustration.

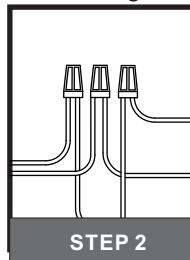
**Table of Contents**

**Inner Backplate Assembly**



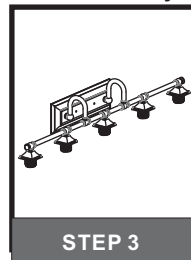
STEP 1

**Wiring**



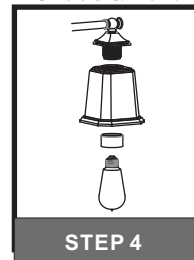
STEP 2

**Fixture Body**



STEP 3

**Shade & Bulb**

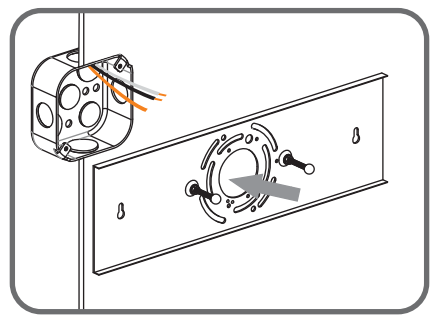


STEP 4

**STEP 1**

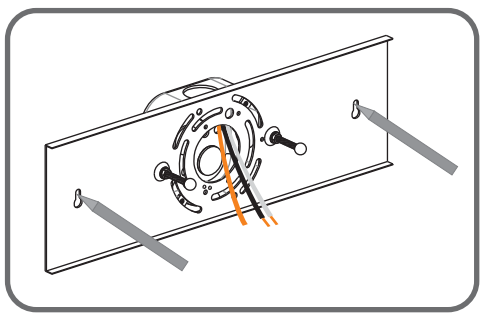
**1**

**Fit inner backplate assembly to outlet box**



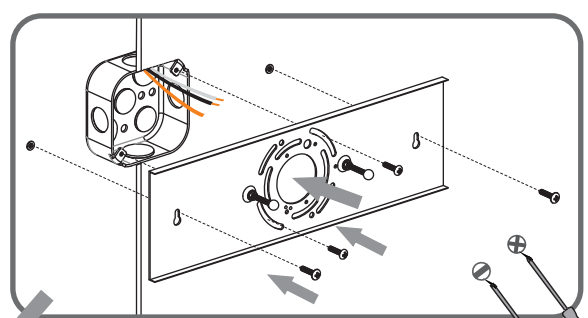
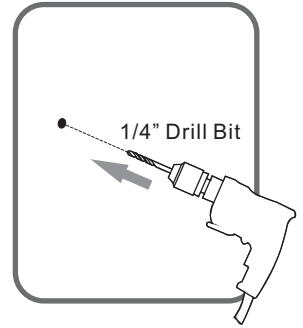
**2**

**Mark anchor holes location on the wall**



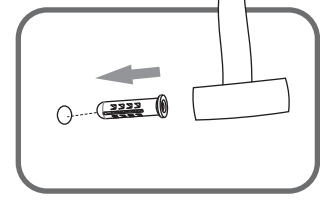
**3**

**Drill holes for anchors from marks**



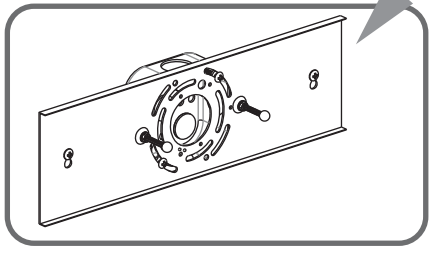
**Install inner backplate assembly**

**5**

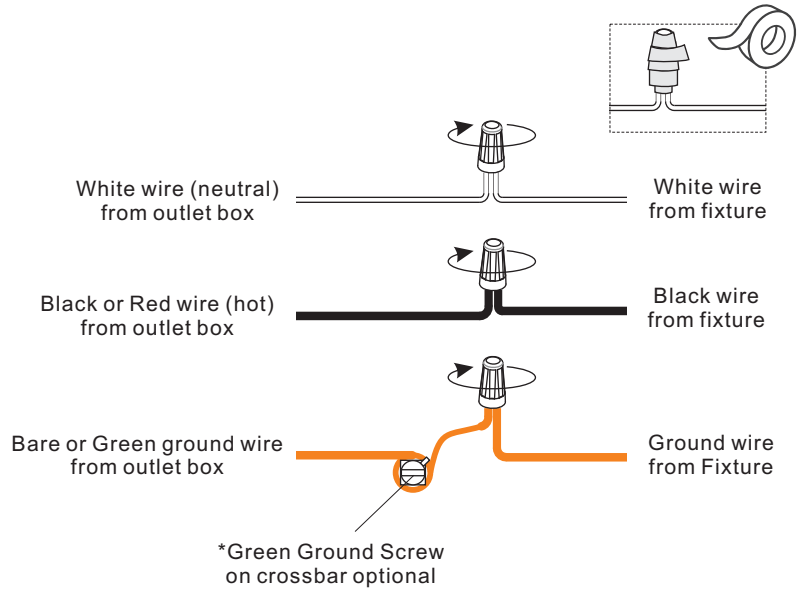


**Install wall anchors**

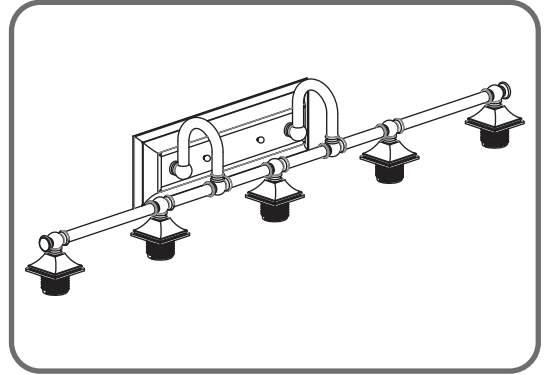
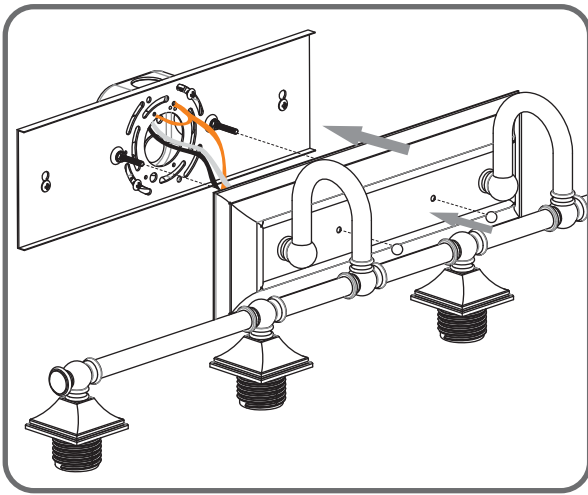
**4**



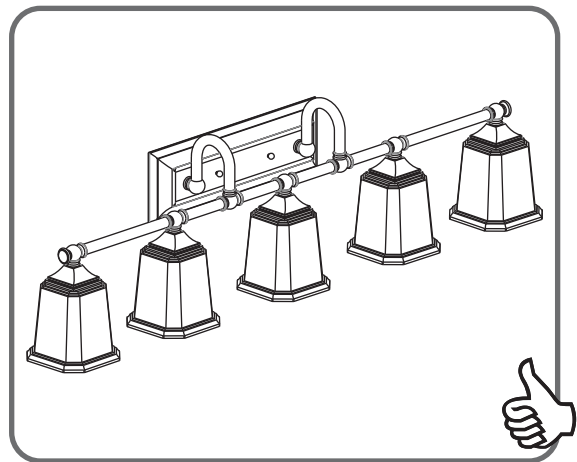
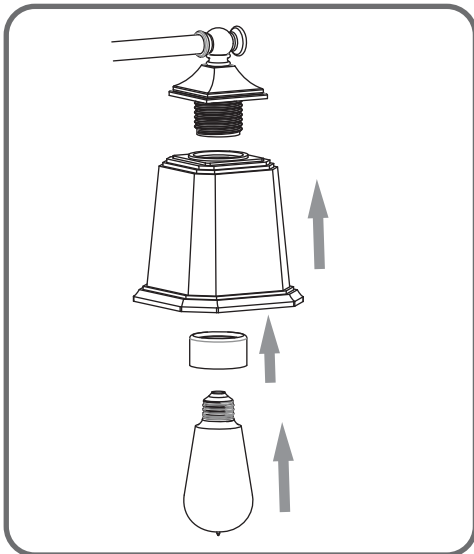
**STEP 2**



**STEP 3**



**STEP 4**



**Note: Socket collar shape is for illustration purpose only. Your socket collar shape may vary from illustration.**