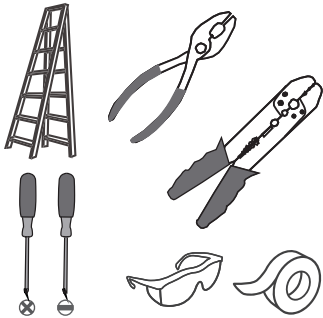
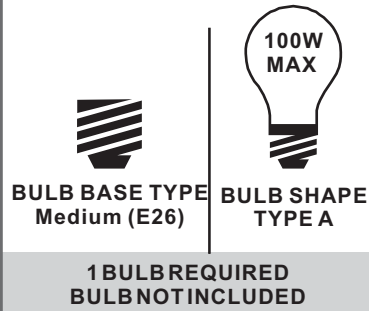


Tools Required



Light Source



Warnings and Cautions

Turn off the electricity at the circuit breaker before installation. Consult a licensed electrician if in doubt about installation.

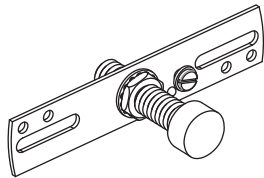
Turn off power to the fixture and allow the bulbs to cool before replacing.

Package Contents

Preparation: Identify and inspect all parts before beginning the installation.

Missing or damaged parts? Contact your original place of purchase.

PARTS BAG



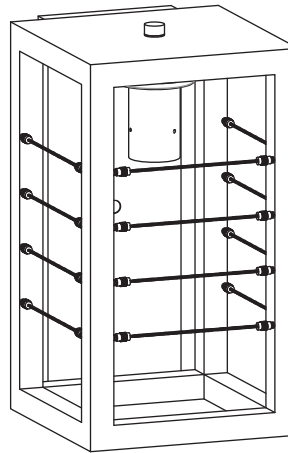
A Crossbar Assembly x 1



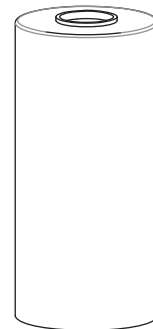
B Outlet Box Screw x 2



C Wire Connector x 3



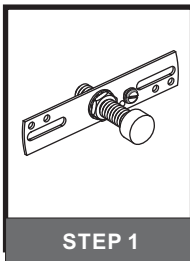
D Fixture Body x 1



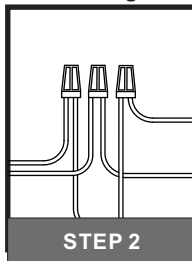
E Glass x 1

Table of Contents

Crossbar Assembly



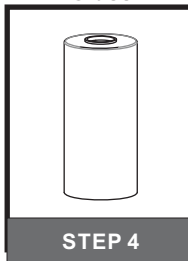
Wiring



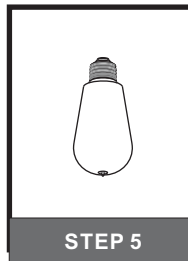
Fixture Body



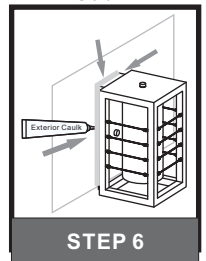
Glass



Bulb



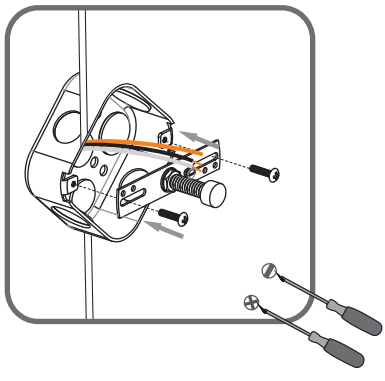
Caulk



STEP 1

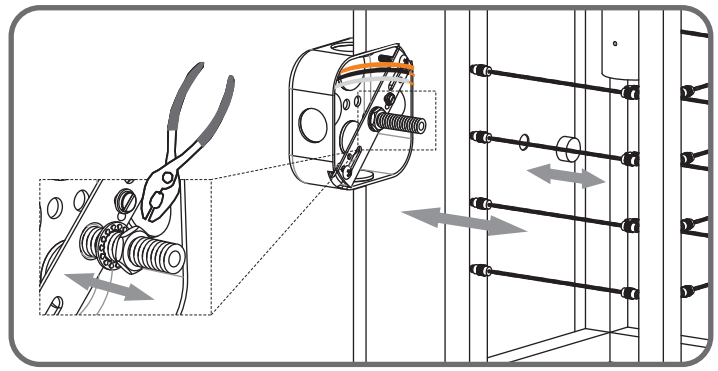
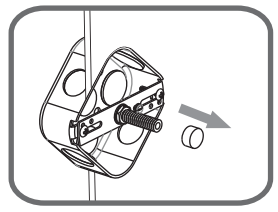
1

Step 1
Install crossbar assembly



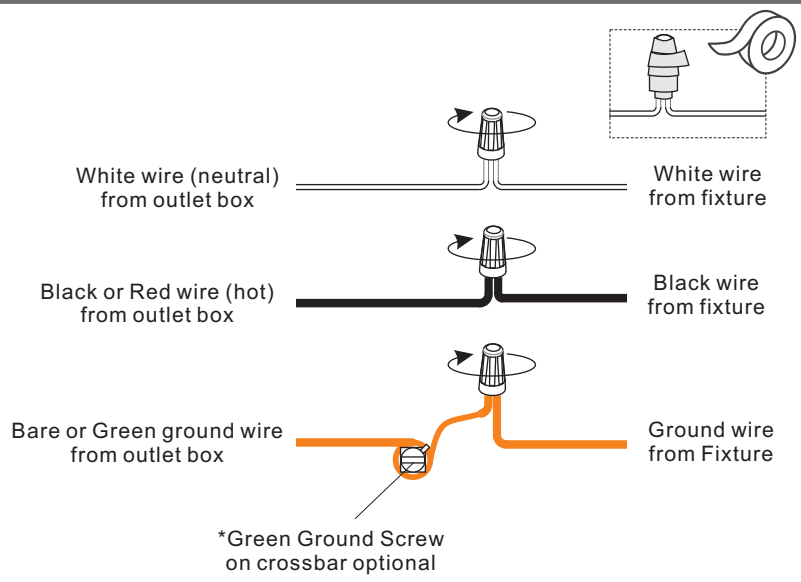
2

Step 2 - 3
Test fitting backplate to mounting screws



3

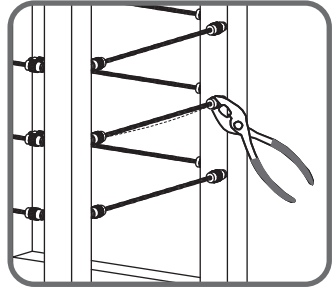
STEP 2



STEP 3

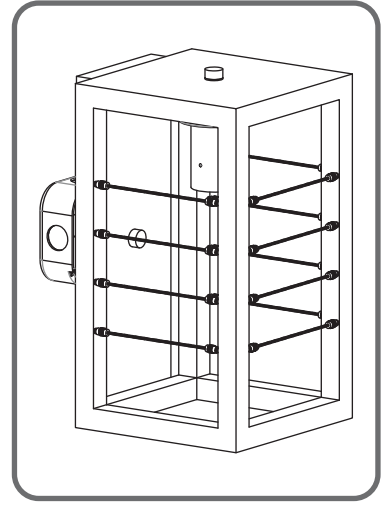
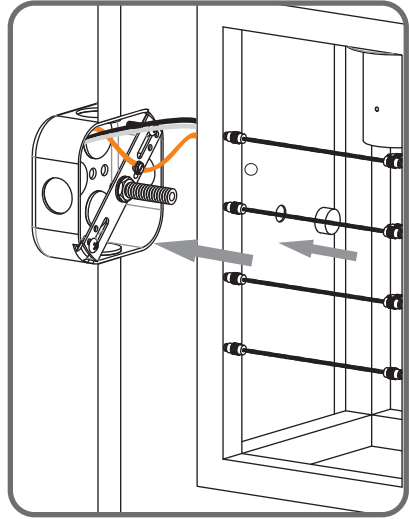
1

* Tighten slack cable* (if necessary)



2

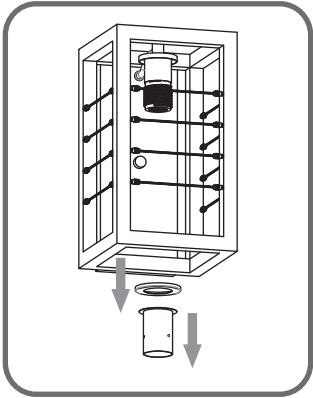
Install fixture body



STEP 4

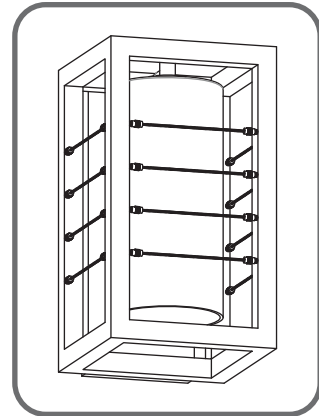
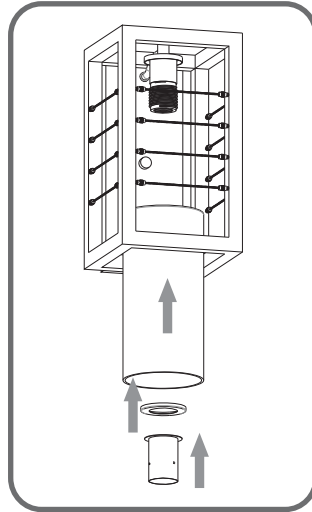
1

Remove socket collar
and glass holder

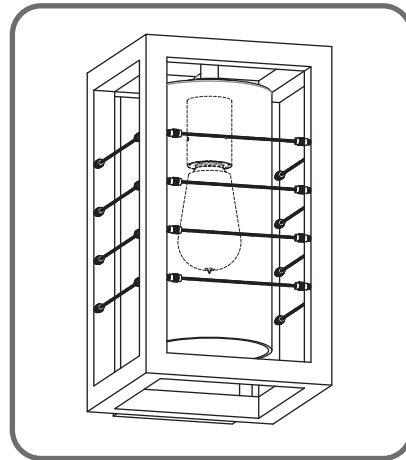
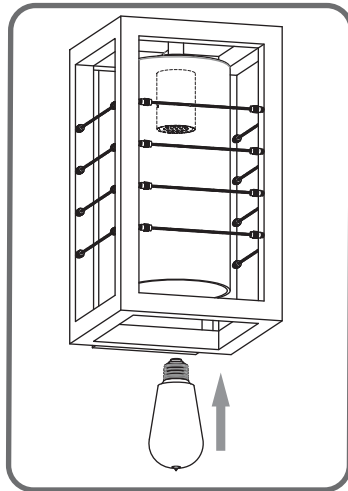


2

Install glass



STEP 5



STEP 6

