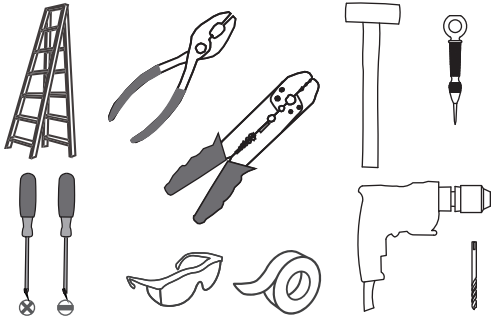
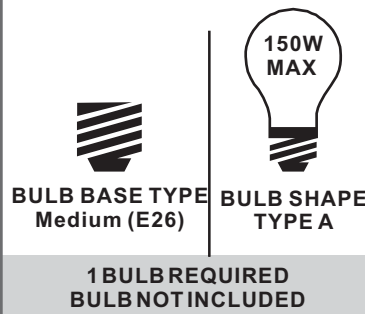


Tools Required



Light Source



Warnings and Cautions

Turn off the electricity at the circuit breaker before installation. Consult a licensed electrician if in doubt about installation.



Turn off power to the fixture and allow the bulbs to cool before replacing.

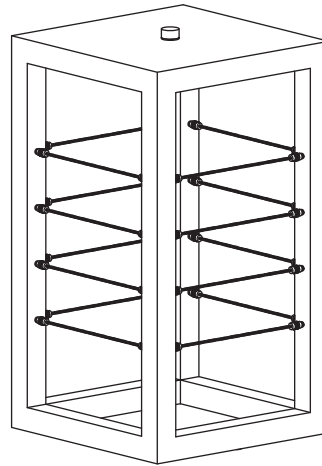
Package Contents

Preparation: Identify and inspect all parts before beginning the installation.

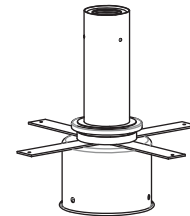
Missing or damaged parts? Contact your original place of purchase.

PARTS BAG

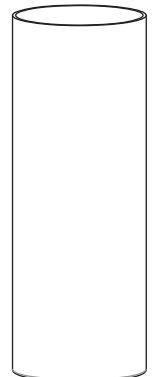
-  **A** Mounting Screw x 3
-  **B** Wire Connector x 3



C Cage x 1

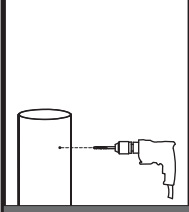
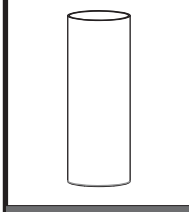
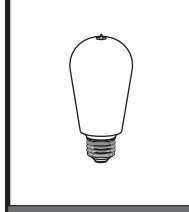
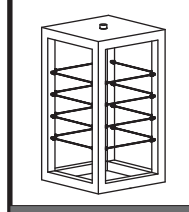
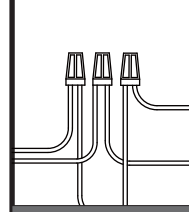
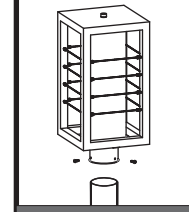


D Socket Assembly x 1



E Shade x 1

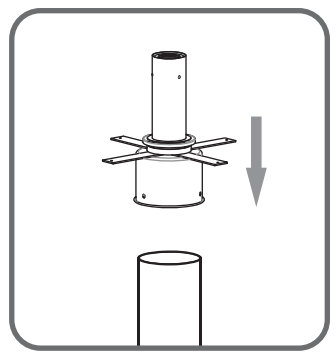
Table of Contents

Drill Holes	Glass	Bulb	Cage	Wiring	Fixture Body
					
STEP 1	STEP 2	STEP 3	STEP 4	STEP 5	STEP 6

STEP 1

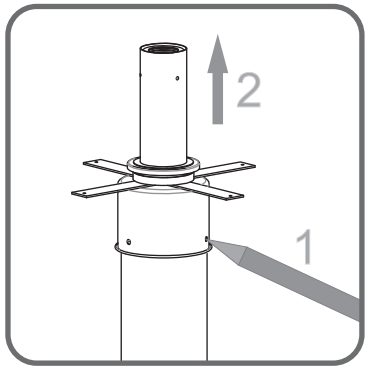
1

Step 1
Place Post Fitter to Post

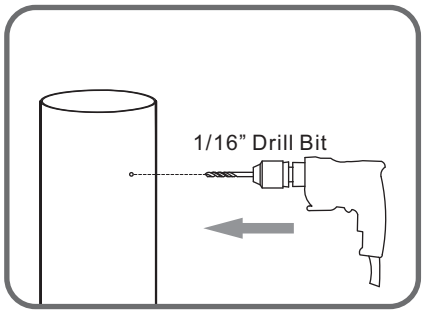
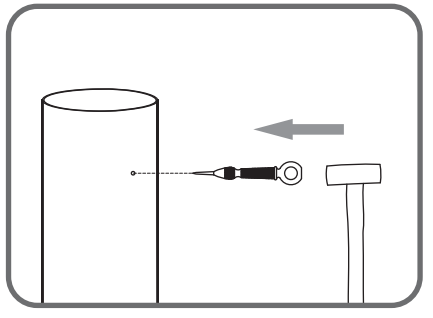


2

Step 2-3
Mark Mounting Holes Location on Post



3



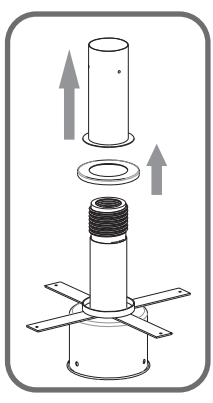
Step 4
Drill Holes

4

STEP 2

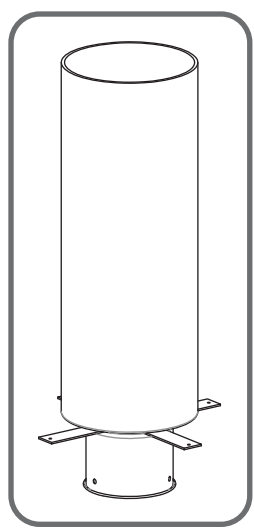
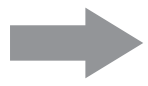
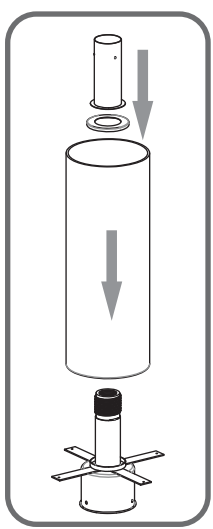
1

Remove socket collar and glass holder

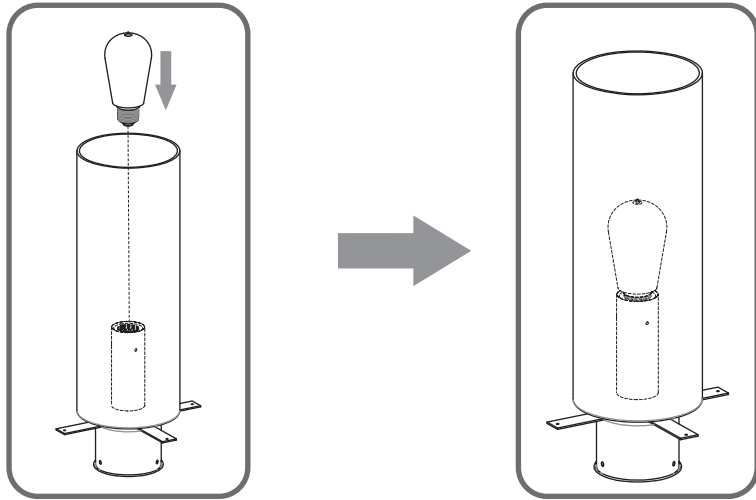


2

Install glass



STEP 3



STEP 4

1

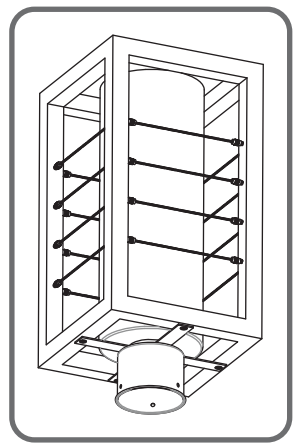
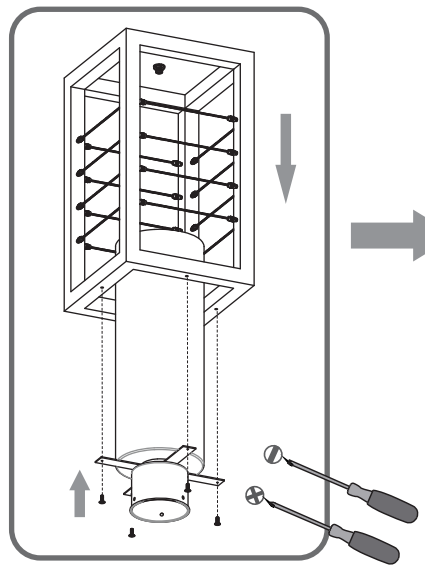
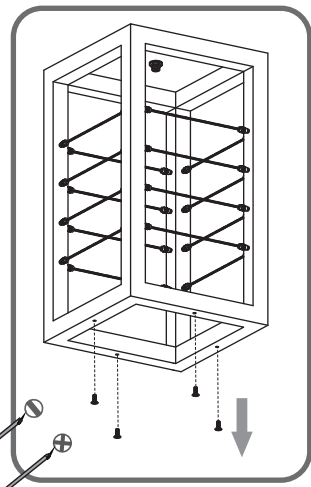
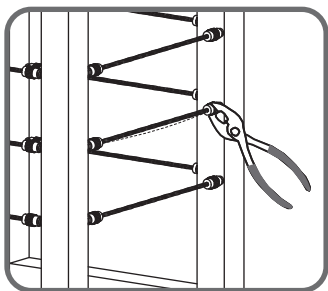
2

3

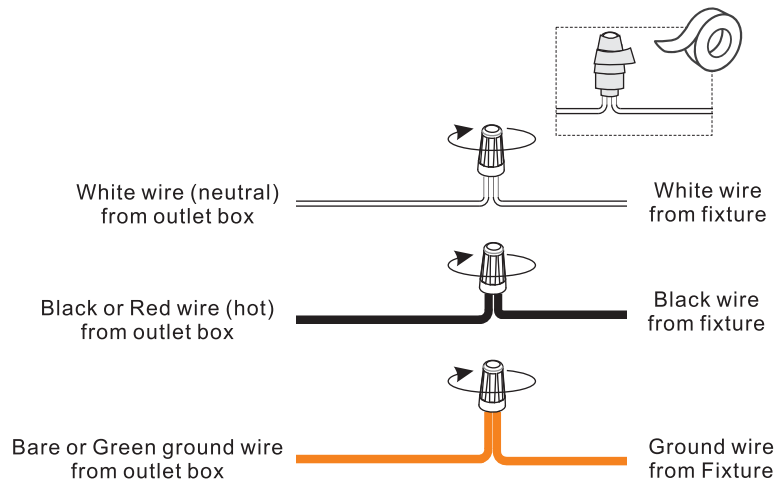
* Tighten slack cable*
(if necessary)

Remove lock screws

Install cage



STEP 5



STEP 6

