

Please go to www.quoizel.com for product cleaning tips. Go to the **Care + Maintenance** selection.

Tools Required: Flathead screwdriver, Phillips screwdriver, pliers, wire cutters, wire strippers, electrical tape, safety glasses.

Light Source: (8) G9 Base Clear G9 Xenon Bulbs (not included), 40W Maximum.

Estimated Assembly Time: 20-30 minutes

Preparation: Identify and inspect all parts before beginning installation. Check package content list and diagrams below to be sure all parts are present. If any parts are missing or damaged, do not attempt to assemble, install, or operate the fixture. Contact customer service for replacement parts.

⚠ Warnings and Cautions

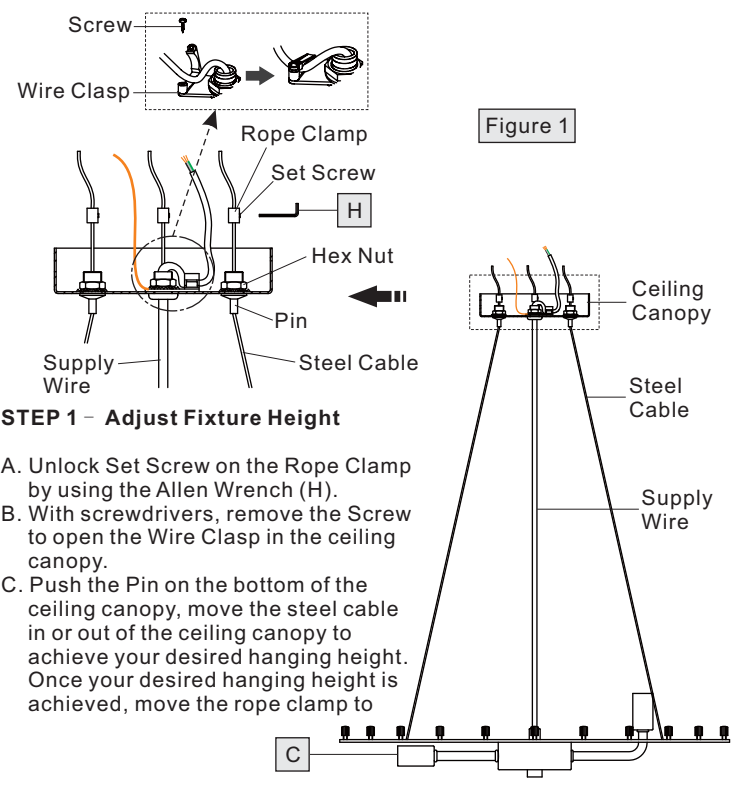
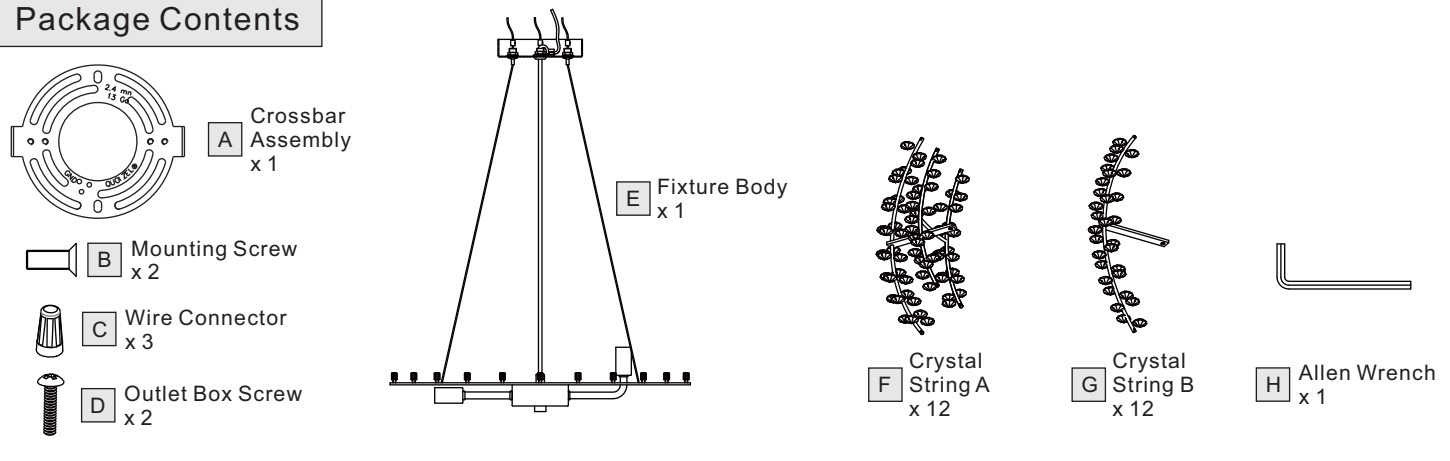
Turn off electricity at circuit breaker or main fuse box before installation. Consult a licensed electrician if in doubt.

These instructions are provided for your safety. It is very important you read them completely before installing the fixture. We strongly recommend that a licensed, professional electrician perform the installation.

Disconnect fixture from power source before replacing bulbs. Make sure bulbs are given sufficient time to cool before removal.

Do not touch the bulb with bare hands use a cloth or glove.

Package Contents



STEP 1 – Adjust Fixture Height

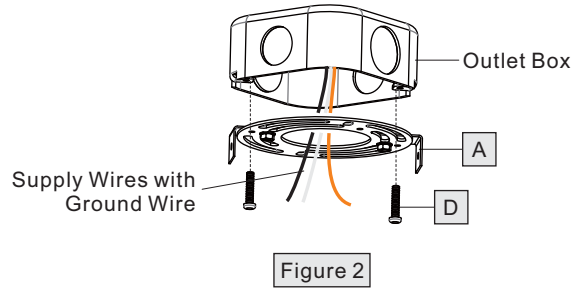
- Unlock Set Screw on the Rope Clamp by using the Allen Wrench (H).
- With screwdrivers, remove the Screw to open the Wire Clasp in the ceiling canopy.
- Push the Pin on the bottom of the ceiling canopy, move the steel cable in or out of the ceiling canopy to achieve your desired hanging height. Once your desired hanging height is achieved, move the rope clamp to

(Step 1 Continued)

- hex nut inside of the ceiling canopy, and then tighten the set screw on the rope clamp with the Allen Wrench (H).
- D. Insert slack supply wire into the ceiling canopy. Attach the supply wire to the wire clasp in the ceiling canopy and secure with the screw previously removed. Tighten until snug with screwdrivers.

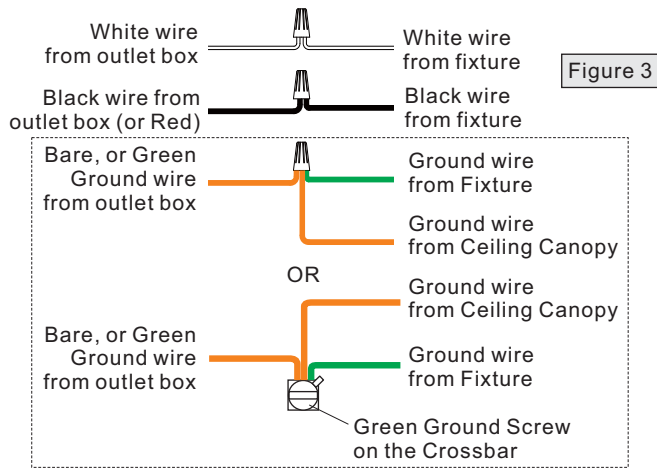
STEP 2 – Install Inner Backplate

- A. Pass the supply wires with ground wire through Inner Backplate (A). Attach Inner Backplate (A) to Outlet Box with the head of Green Ground Screw facing you. Secure it with Outlet Box Screws (D). Tighten until snug.



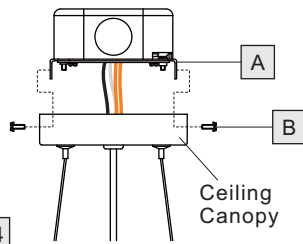
STEP 3 - Make Wire Connections

- Use standard wire connectors (C) to make all wire connections. Twist connectors until wires are tightly joined together. Wrap each connection with approved electrical tape and carefully stuff all the connected wires into the Outlet Box.
- If the electrical wire is going to be cut shorter than provided, strip back the clear wire covering the 3 fixture wires as far as you need to. This will expose each fixture wire individually. Strip each end of 3 fixture wires.



STEP 4 - Install the Fixture Body

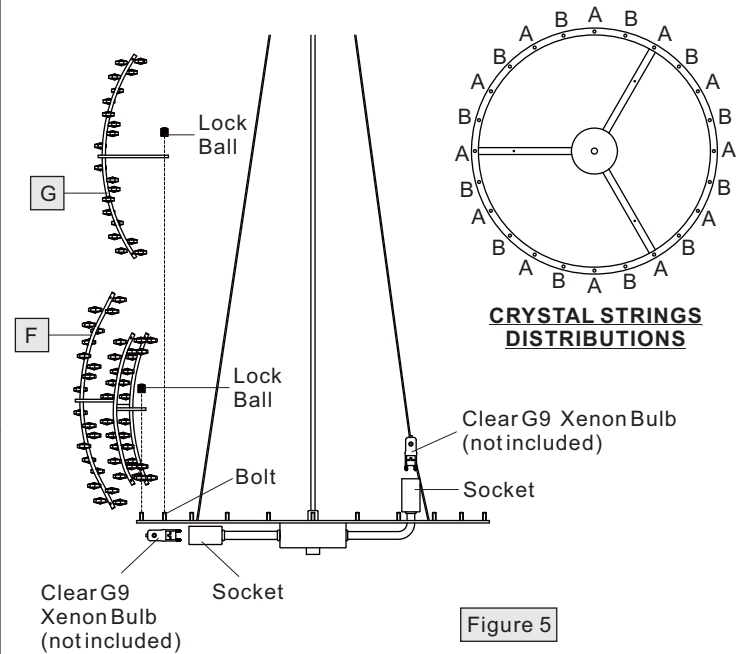
- Fit excess cord and electrical wires in the ceiling canopy properly. Line up the holes on the side of the ceiling canopy to the mounting holes on the Crossbar (A). Secure them with Mounting Screws (B). Tighten until snug.



STEP 5 - Install Crystal Strings and Bulbs

- Remove Lock Balls from the Fixture Body (E).
- (Refer to CRYSTAL STRINGS DISTRIBUTION) Attach Crystal Strings A (F) and Crystal Strings B (G) to the bolts on the Fixture Body (E) one next to another and secure with previously removed Lock Balls. Hand tighten until snug.
- This fixture uses clear G9 Xenon bulbs (not included) with G9 base. Maximum 40 watts. Push snugly into place. **IMPORTANT:** Do not touch the bulb with bare hands use a cloth or glove.

Your fixture is now assembled and ready to use. Enjoy!



CRYSTAL STRINGS DISTRIBUTIONS

CAUTION FOR BULB REPLACING

- When replace bulb, turn off power and allow lamp to cool. For safety purpose, wear gloves and eye protection.
- If bulb is scratched or cracked, DO NOT use the lamp to avoid breakage during use or installation.
- Use only in fixtures rated for lamps wattage and voltage.
- Prevent the bulb from contacting liquid or combustible materials.