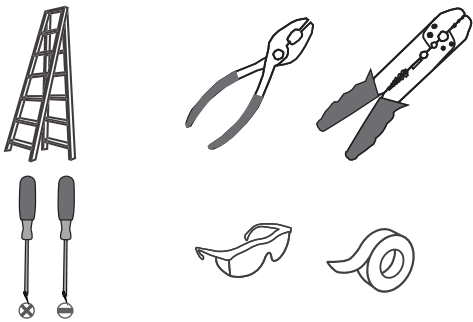
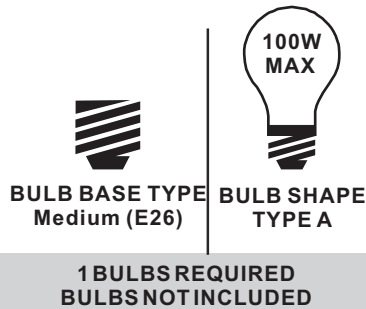


Tools Required



Light Source



**Fixture Height
Adjustable 22.25" to 58.25"**

⚠ Warnings and Cautions

Turn off the electricity at the circuit breaker before installation. Consult a licensed electrician if in doubt about installation.

Turn off power to the fixture and allow the bulbs to cool before replacing.

Package Contents

Preparation: Identify and inspect all parts before beginning the installation.

Missing or damaged parts? Contact your original place of purchase.

PARTS BAG

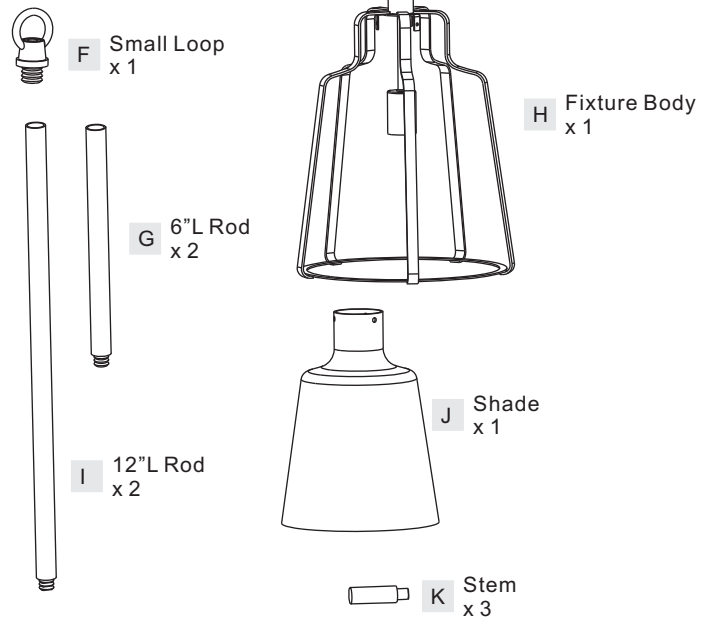
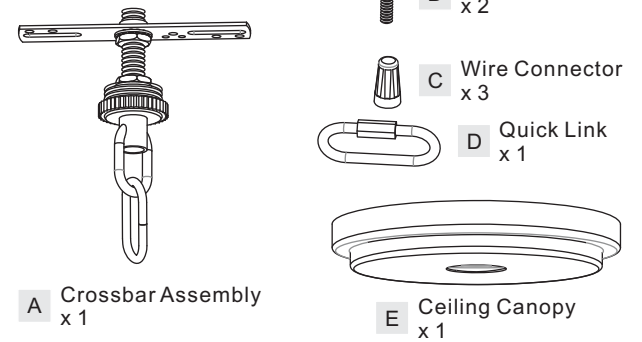
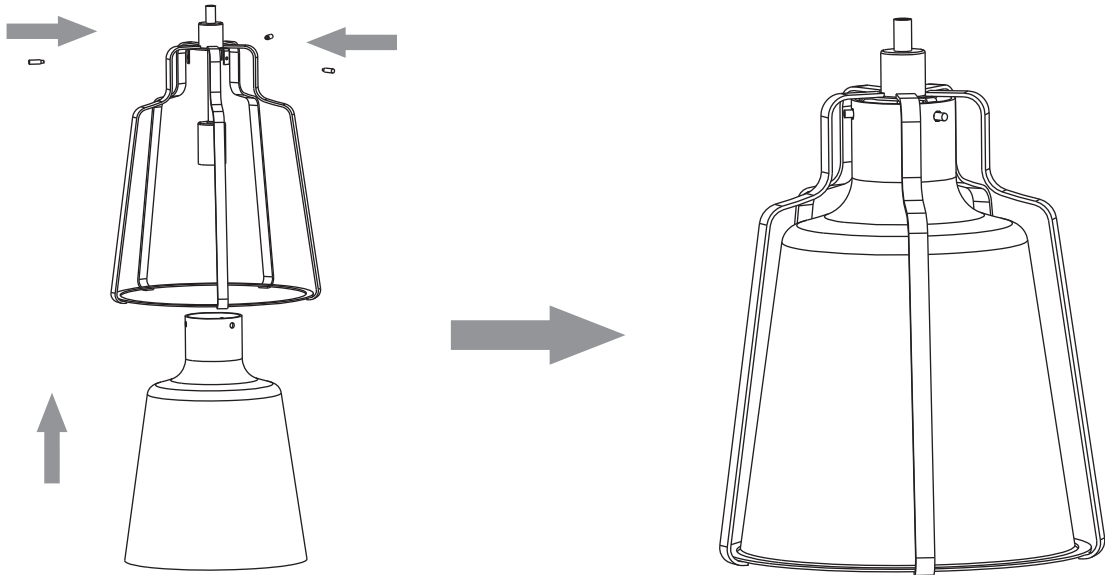


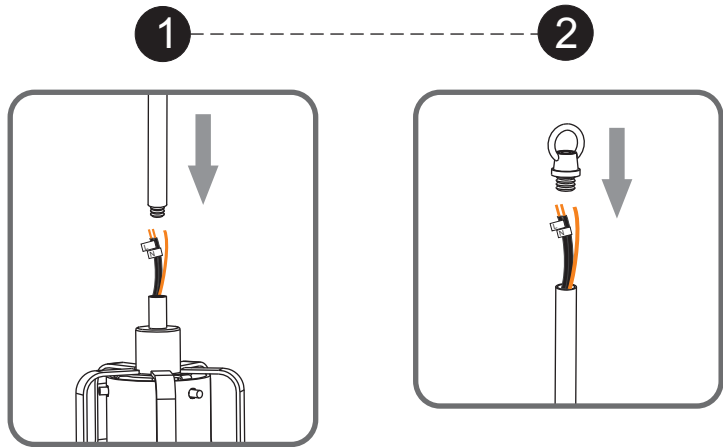
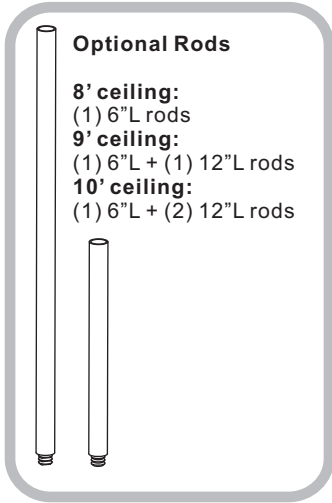
Table of Contents

Fixture Body	Rods & Small Loop	Crossbar Assembly	Quick Link	Wiring	Ceiling Canopy	Bulb
STEP 1	STEP 1	STEP 2	STEP 3	STEP 4	STEP 5	STEP 6

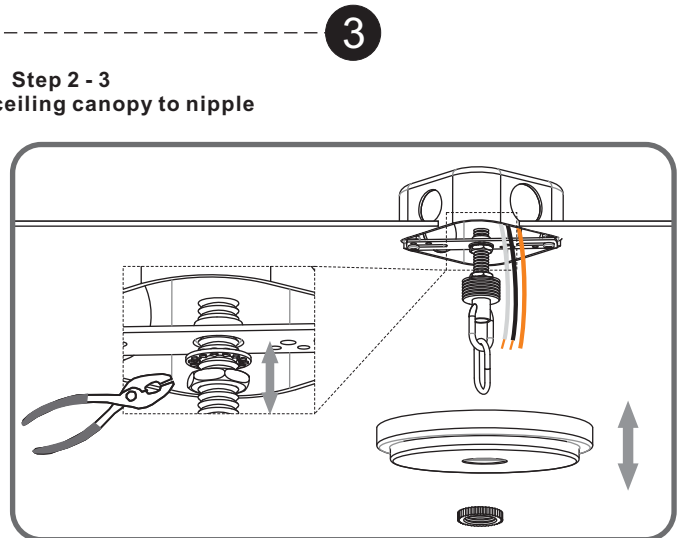
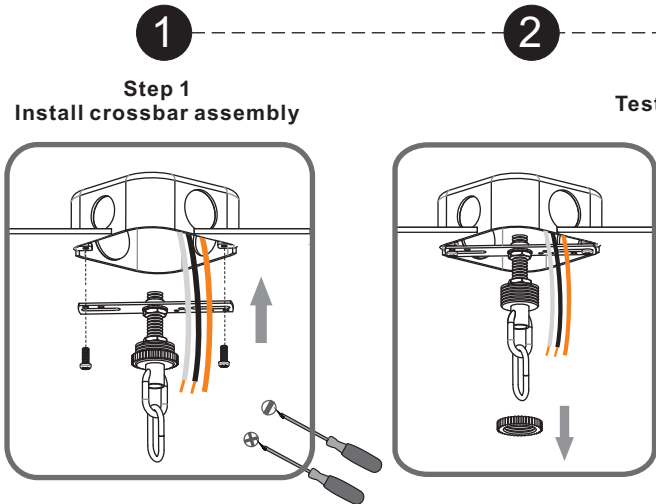
STEP 1



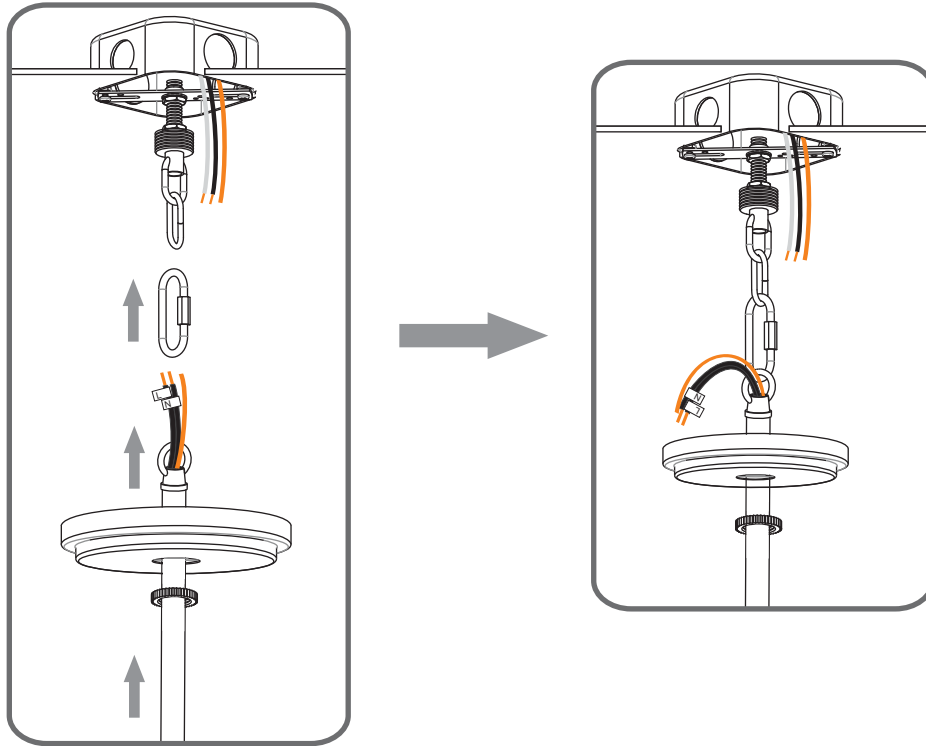
STEP 2



STEP 3



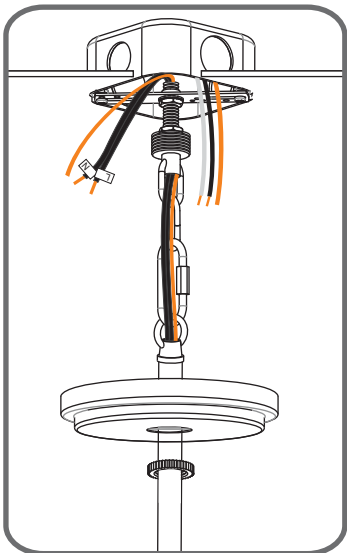
STEP 4



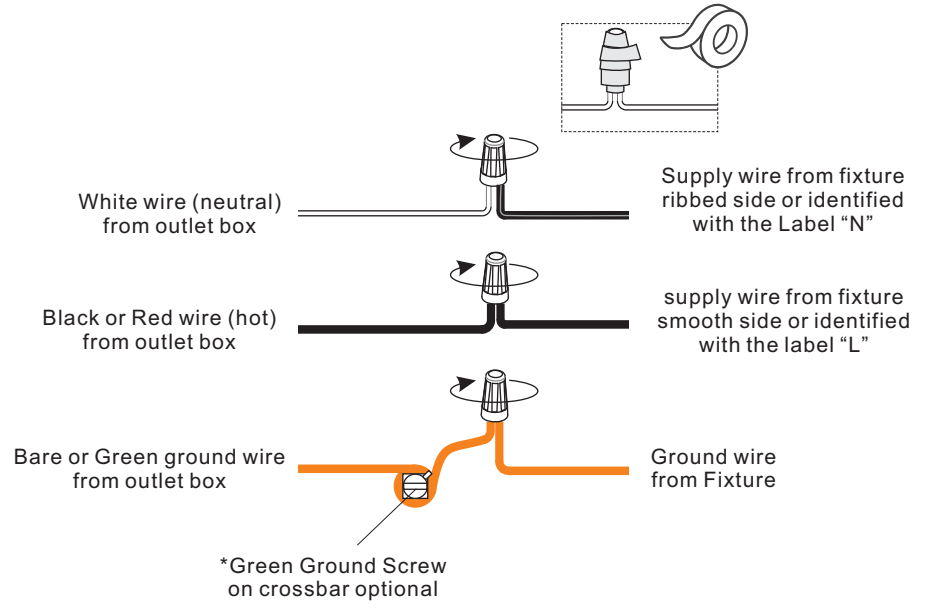
STEP 5

1

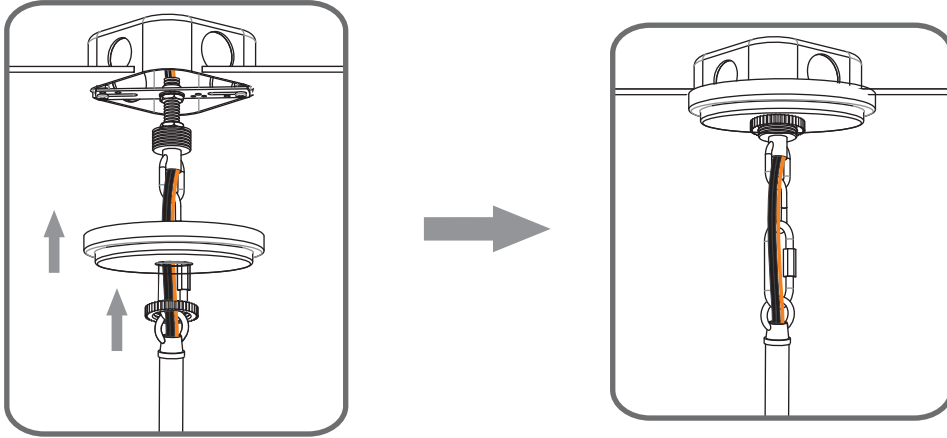
Step 1
Feed the fixture wires
through the loop



2



STEP 6



STEP 7

