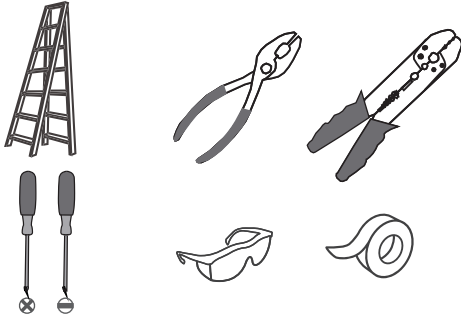


**Tools Required**



**Light Source**

30W  
**LED**

**Warnings and Cautions**

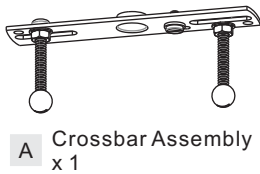
Turn off the electricity at the circuit breaker before installation. Consult a licensed electrician if in doubt about installation.

**Package Contents**

**Preparation:** Identify and inspect all parts before beginning the installation.

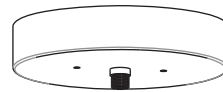
Missing or damaged parts? Contact your original place of purchase.

**PARTS BAG**



**B** Outlet Box Screw x 2

**C** Wire Connector x 3



**D** Ceiling Canopy x 1



**E** Rod x 1

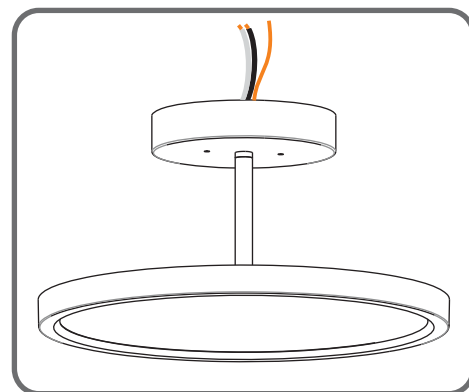
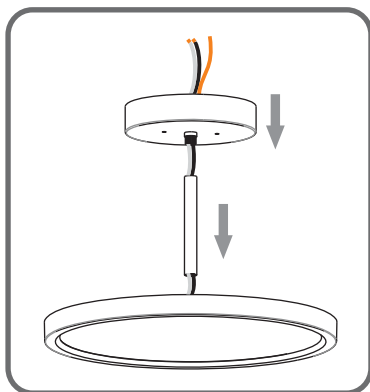


**F** Fixture Body x 1

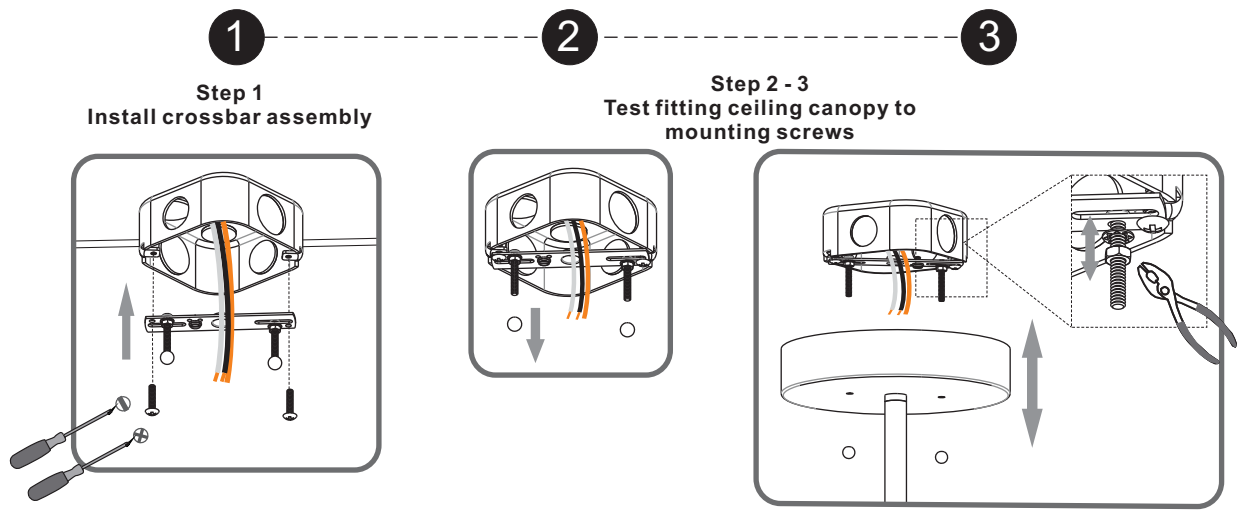
**Table of Contents**

Ceiling Canopy & Rod	Crossbar Assembly	Wiring	Ceiling Canopy
<b>STEP 1</b>	<b>STEP 2</b>	<b>STEP 3</b>	<b>STEP 4</b>

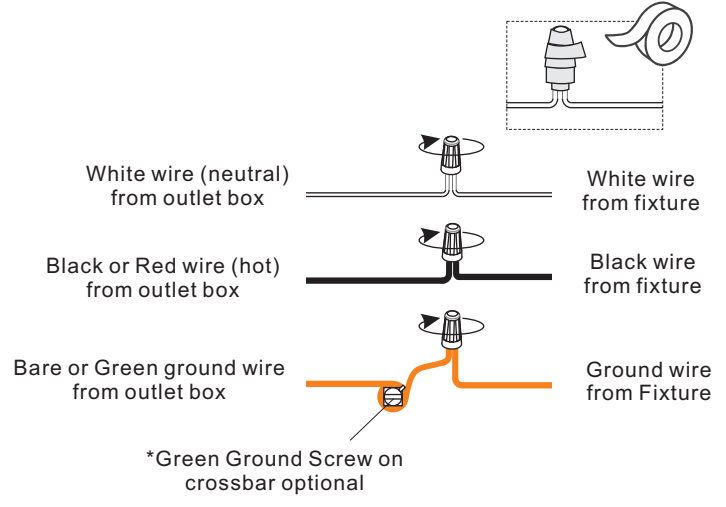
**STEP 1**



**STEP 2**



**STEP 3**



**STEP 4**

