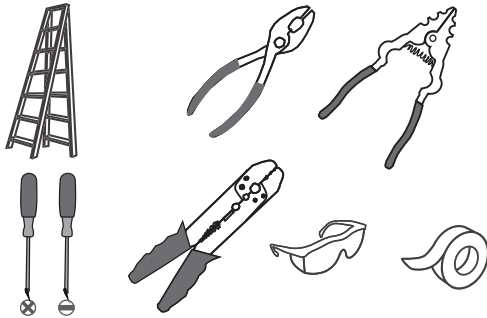
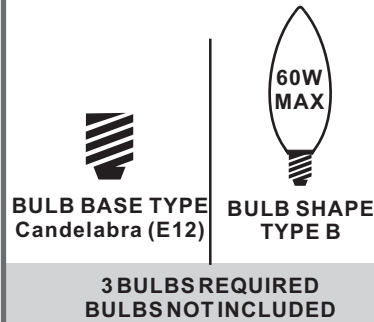


**Tools Required**



**Light Source**



**Fixture Height Adjustable  
24.75" to 120.75"**

**⚠ Warnings and Cautions**

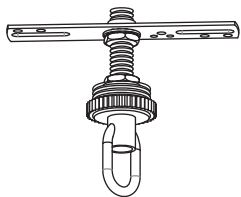
Turn off the electricity at the circuit breaker before installation. Consult a licensed electrician if in doubt about installation.

Turn off power to the fixture and allow the bulbs to cool before replacing.

**Package Contents**

**Preparation:** Identify and inspect all parts before beginning the installation.  
Missing or damaged parts? Contact your original place of purchase.

**PARTS BAG**



**A** Crossbar Assembly x 1



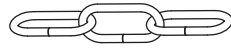
**B** Outlet Box Screw x 2



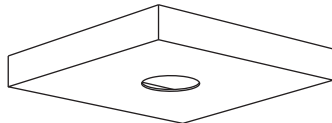
**C** Wire Connector x 3



**D** Quick Link x 1



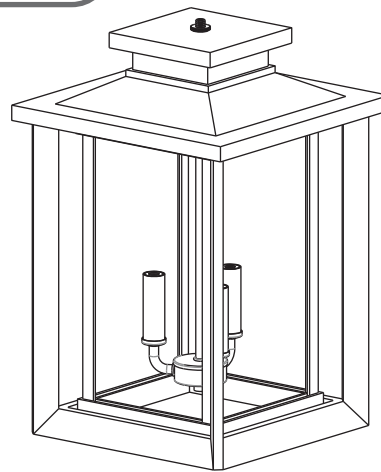
**E** Fixture Chain x 1



**F** Ceiling Canopy x 1



**G** Fixture Loop x 1



**H** Fixture Body x 1

**I** Glass Panel x 4

**Table of Contents**

Glass Panel	Fixture Loop	Crossbar Assembly	Fixture Chain	Wiring	Ceiling Canopy	Bulb
STEP 1	STEP 2	STEP 3	STEP 4	STEP 5	STEP 6	STEP 7

**STEP 1**

1

Remove cage

2

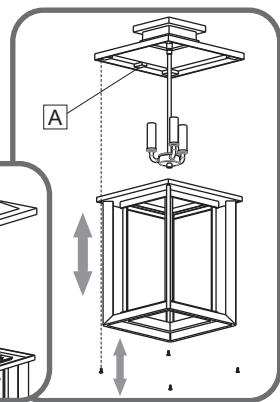
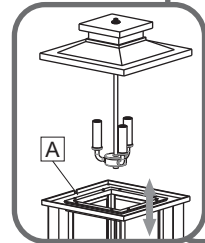
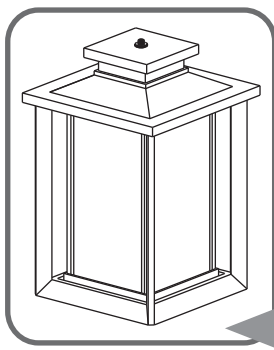
Remove glass panel holder

3

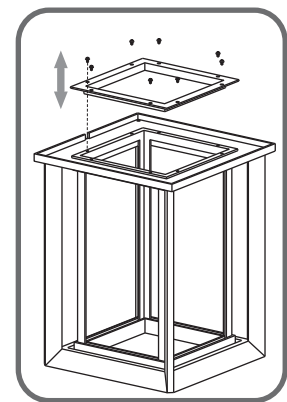
Install glass panel

5

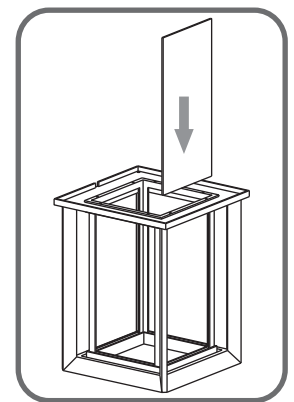
4



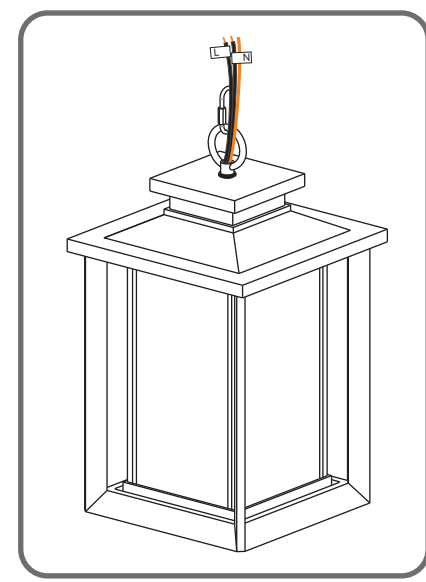
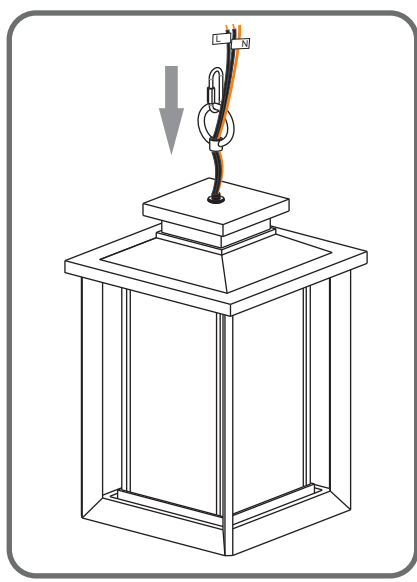
Install cage



Install glass panel holder



**STEP 2**



**STEP 3**

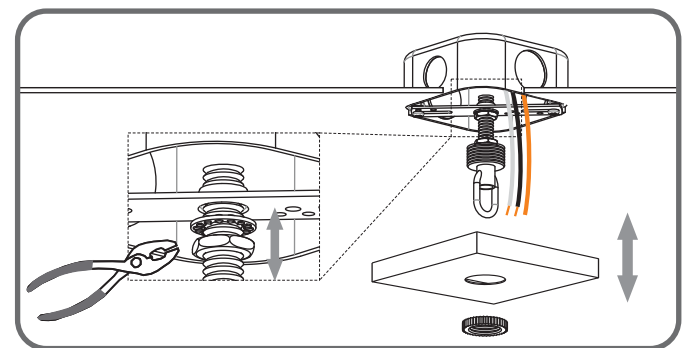
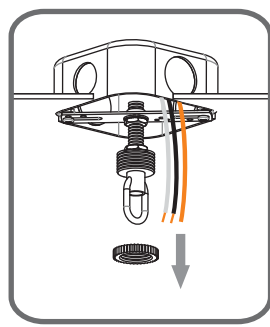
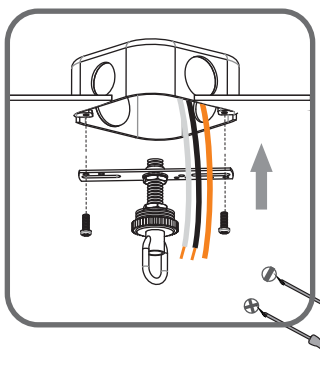
1

Step 1  
Install crossbar assembly

2

Step 2 - 3  
Test fitting ceiling canopy to nipple

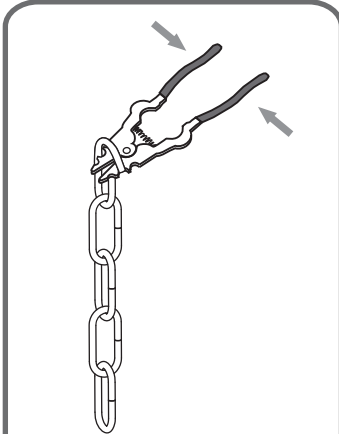
3



# STEP 4

1

Step 1  
Adjust fixture chain length

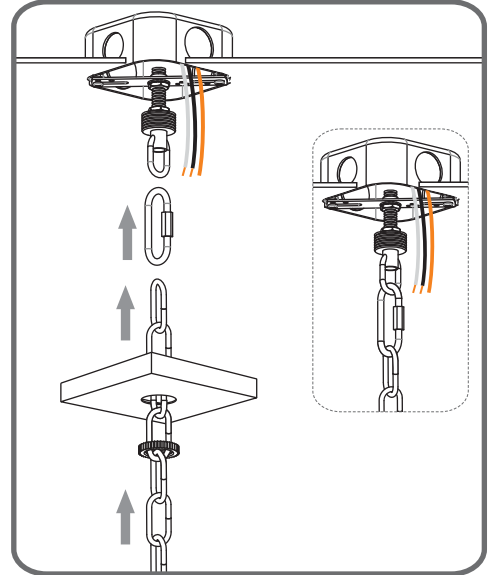
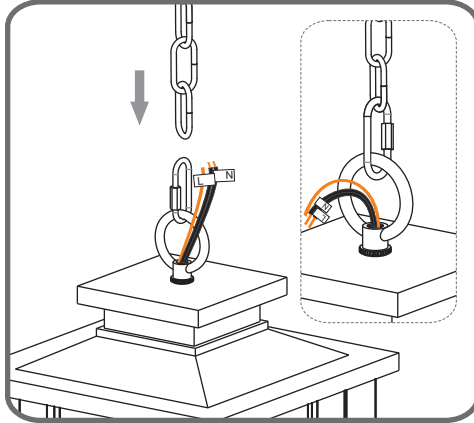


Suggested Chain Length:

- 8' ceiling: 11" Chain
- 9' ceiling: 23" Chain
- 10' ceiling: 35" Chain

2

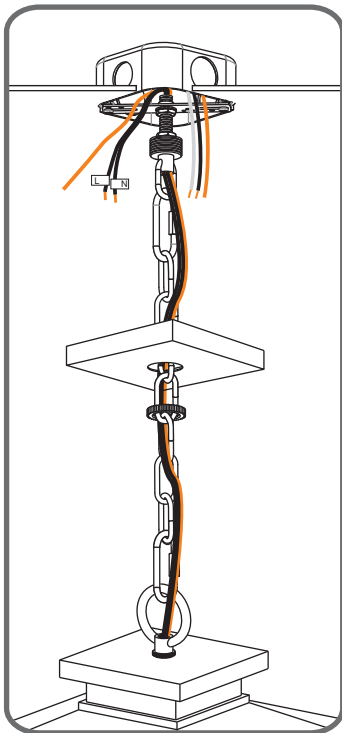
Step 2 - 3  
Install Fixture Chain



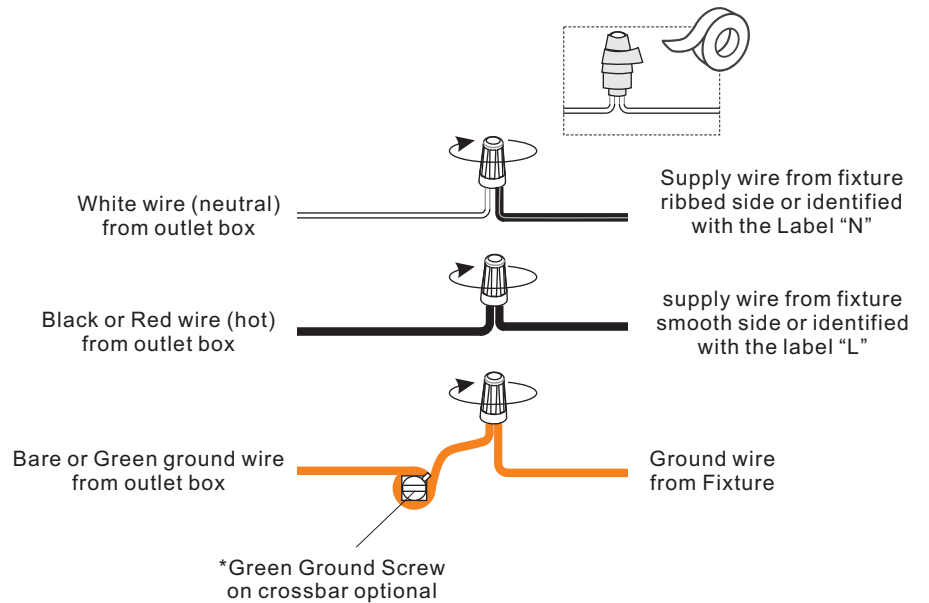
# STEP 5

1

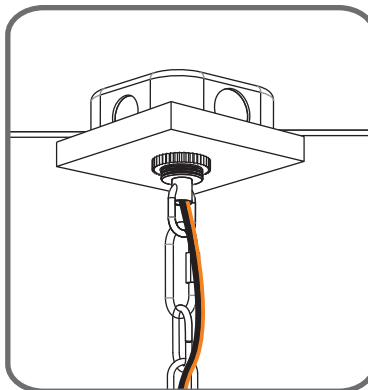
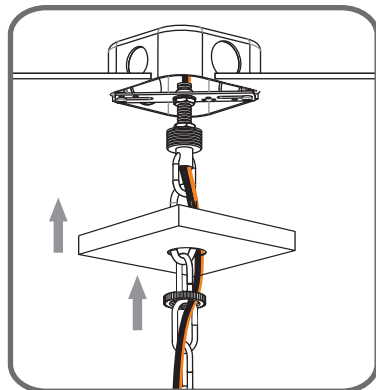
Step 1  
Feed the fixture wires through the loop



2



**STEP 6**



**STEP 7**

