

# Assembly Instruction Sheet #IS-NY1794K For Style NY1794K

Quoizel, Inc.  
 6 Corporate Parkway  
 Goose Creek, SC  
 29445

Customer Service  
 Phone 631.273.2700  
 Fax 631.231.7102  
 www. quozel. com

**Tools Required:** Flathead screwdriver, Phillips screwdriver, pliers, wire cutters, wire strippers, electrical tape, safety glasses.

**Bulb Recommended:** (3) Candelabra Base Bulbs 40W Maximum

**Estimated Assembly Time:** 20-30 minutes

**Preparation:** Identify and inspect all parts before beginning installation. Check package content list and diagrams below to be sure all parts are present. If any parts are missing or damaged, do not attempt to assemble, install, or operate the fixture. Contact customer service for replacement parts.

## Warnings and Cautions

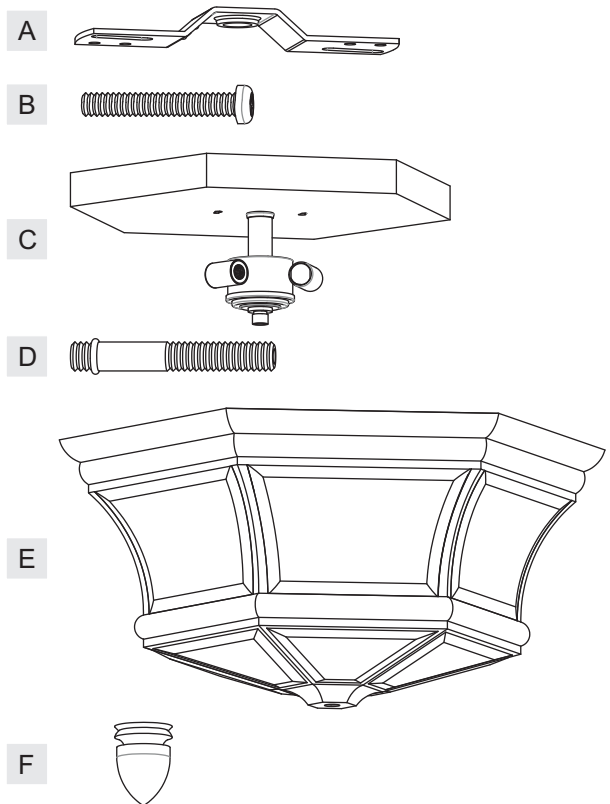
Turn off electricity at circuit breaker or main fuse box before installation. Consult a licensed electrician if in doubt.

These instructions are provided for your safety. It is very important you read them completely before installing the fixture. We strongly recommend that a licensed, professional electrician perform the installation.

Disconnect fixture from power source before replacing bulbs. Make sure bulbs are given sufficient time to cool before removal. Do not subject glass parts to any shock while in operation or shattering may result.

## Package Contents

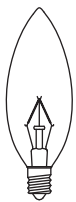
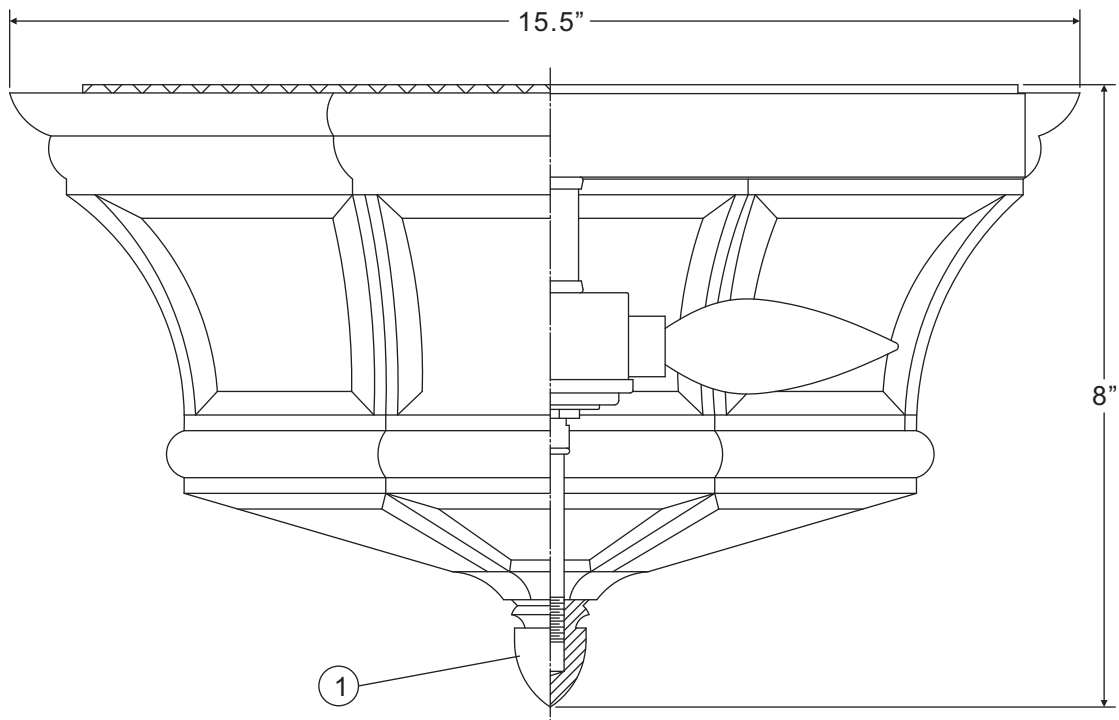
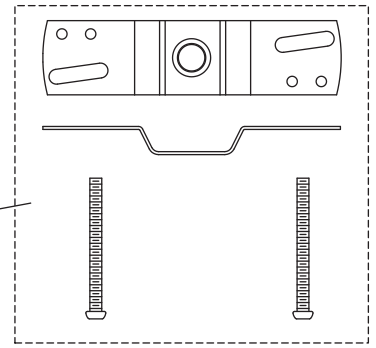
Part	Description	Quantity
A	Crossbar	1 pc.
B	Mounting Screw	1 pc.
C	Socket Assembly	1 pc.
D	Stem	1 pc.
E	Cage	1 pc.
F	Finial	1 pc.



**Thank you for purchasing a Quoizel product.**  
**Need assistance with parts or assembly? Call Quoizel customer service at 1-631-273-2700**  
**or visit us on-line at [www. quozel. com](http://www. quozel. com)**

NY1794K

FINISH: MYSTIC BLACK



(3) 40W Candelabra  
Base Bulbs  
(Not Supplied)

NOTE: ALL DIMENSIONS ARE ROUNDED UP TO THE NEAREST 1/2"

NO.	PART NUMBER	REPLACEMENT PART DESCRIPTION	REQ.
1	M2249FIK	FINIAL MYSTIC BLACK 1"D X 1.5"H	1
2	9445KIT	MOUNTING HARDWARE MYSTIC BLACK 4"D	1

### STEP 1 – Install Crossbar

- A. Attach the Crossbar (A) to the Outlet Box with the Outlet Box Screws (not supplied). Hand tighten until snug.

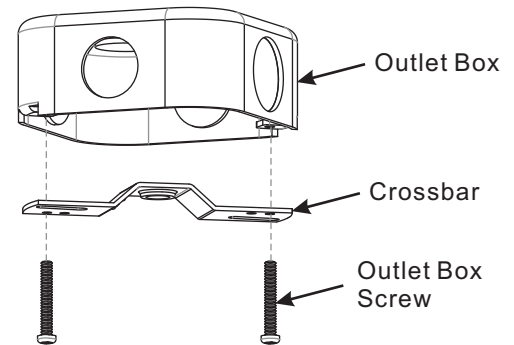


Figure 1

### STEP 2 – Install Mounting Screw

- A. Screw the Mounting Screws (B) into the mounting holes on the Crossbar (A), which aligns to the Keyholes on the Ceiling Canopy. Leave proper length of the Mounting Screws to mount the Ceiling Canopy. To achieve this length, you need attach the Ceiling Canopy over the Mounting Screws and adjust the Mounting Screws accordingly.

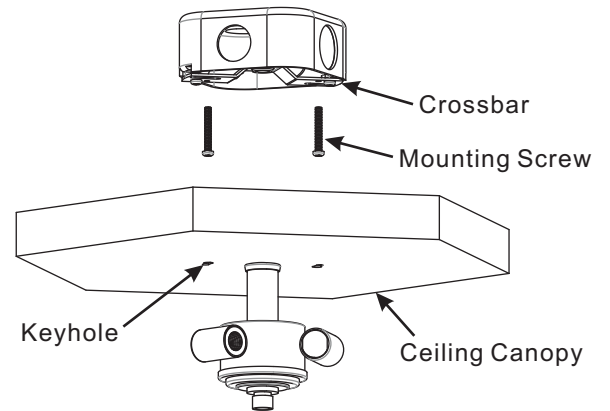


Figure 2

Thank you for purchasing a Quozel product.

Need assistance with parts or assembly? Call Quozel customer service at 1-631-273-2700  
or visit us on-line at [www. quozel. com](http://www. quozel. com)

### STEP 3 – Make Wire Connections

- A. Use standard wire connectors to make all wire connections. (Connectors are not included with fixture.) Strip and prepare wire ends according to instructions supplied with connectors.
- B. Connect White Supply Wire from the Outlet Box to White Wire from fixture.
- C. Connect Black (or Red) Supply Wire from the Outlet Box to Black Wire from fixture.
- D. Connect Ground Wire from the Outlet Box to Ground Wire from fixture.
- E. Twist connectors until wires are tightly joined together.
- F. Wrap each connection with approved electrical tape and carefully stuff all the connected wires into the Outlet Box.

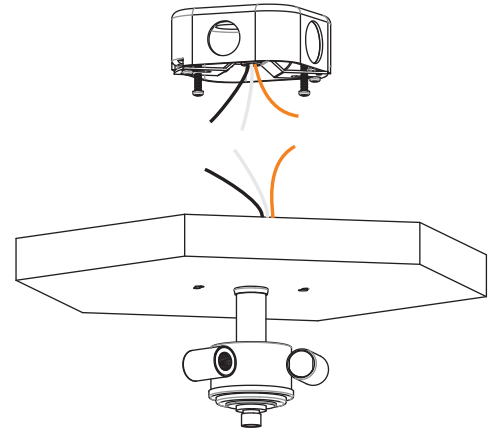


Figure 3

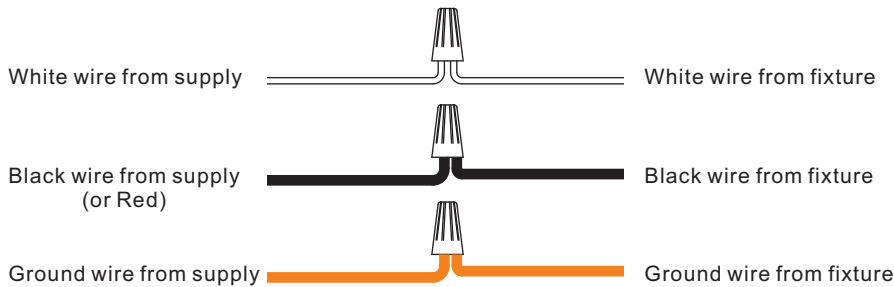


Figure 4

### STEP 4 – Attach Ceiling Canopy to Mounting Screw

- A. Place the Keyholes on the Ceiling Canopy over the Mounting Screws (B) and then rotate the Ceiling Canopy until it is secure to the Mounting Screws (B).

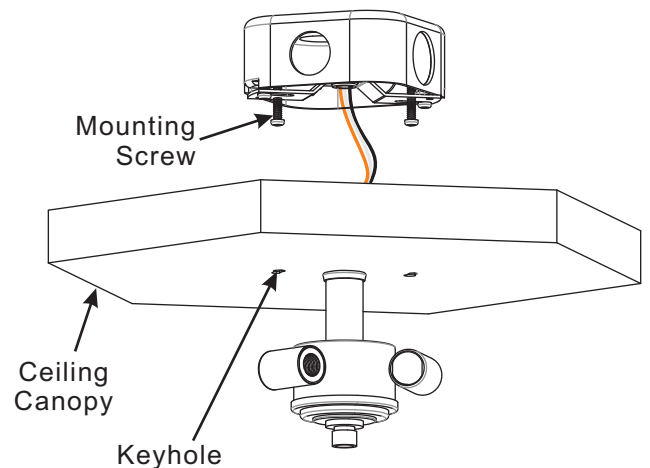


Figure 5

Thank you for purchasing a Quozel product.

Need assistance with parts or assembly? Call Quozel customer service at 1-631-273-2700  
or visit us on-line at [www. quozel. com](http://www. quozel. com)

**STEP 5 – Install Bulb**

- A. This fixture uses candelabra bulb with a candelabra screw base. Maximum 40 watts.
- B. Insert bulb and screw properly into place.

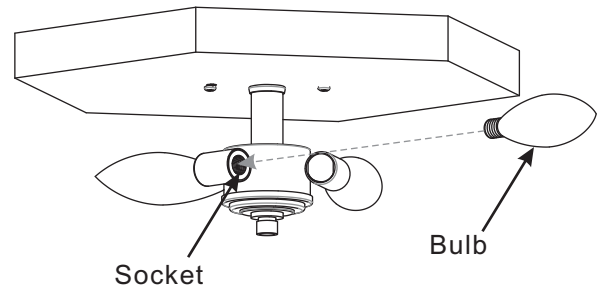


Figure 6

**STEP 6 – Install Cage**

- A. Screw the beaded end of the Stem (D) into the Coupling on the bottom center of the Socket Assembly (C). Hand tighten until snug.
- B. Pass the Cage (E) over the end of the Stem (D) and secure with the Finial (F). Hand tighten until snug.

Your fixture is now assembled and ready to use. Enjoy!

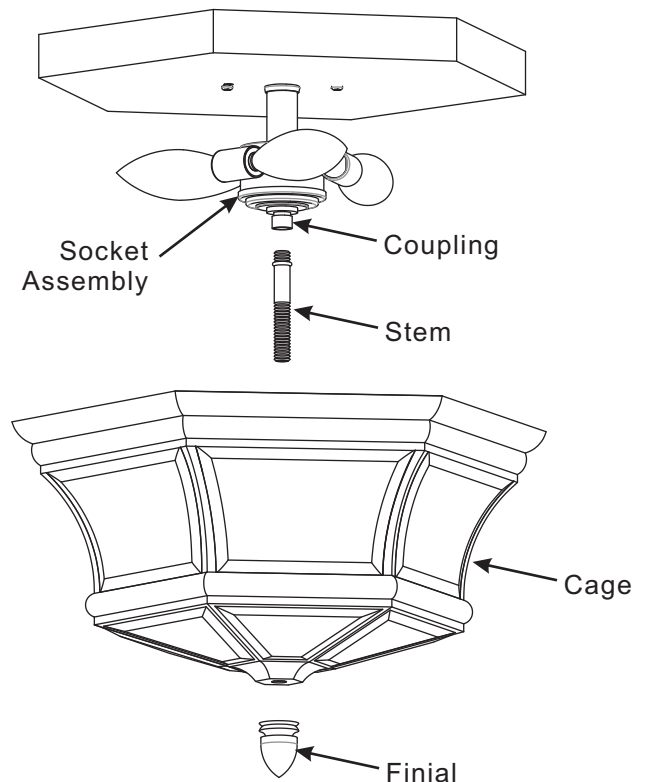


Figure 7

**Thank you for purchasing a Quozel product.**  
**Need assistance with parts or assembly? Call Quozel customer service at 1-631-273-2700**  
**or visit us on-line at [www. quozel. com](http://www. quozel. com)**