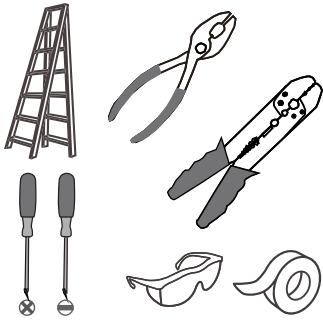
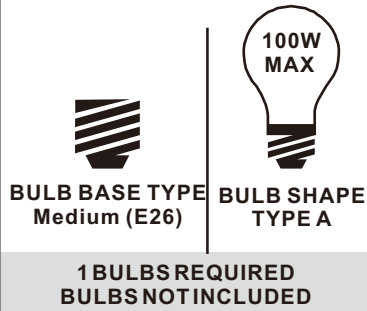


**Tools Required**



**Light Source**



**Warnings and Cautions**

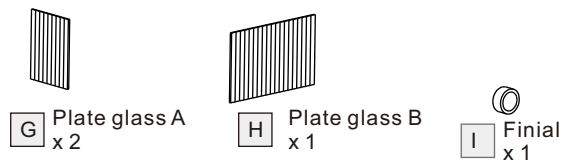
Turn off the electricity at the circuit breaker before installation. Consult a licensed electrician if in doubt about installation.

Turn off power to the fixture and allow the bulbs to cool before replacing.

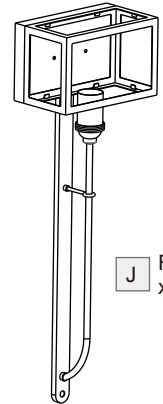
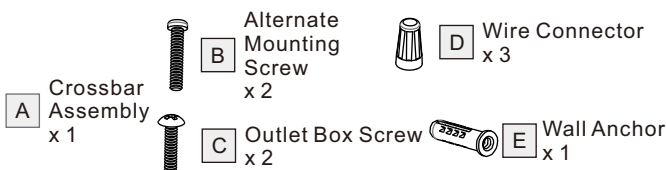
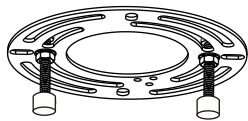
**Package Contents**

**Preparation:** Identify and inspect all parts before beginning the installation.

Missing or damaged parts? Contact your original place of purchase.



**PARTS BAG**



J Fixture Body x 1

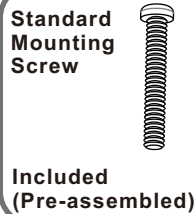
**Table of Contents**

Alternate Mounting Screw	Crossbar Assembly	Wiring	Fixture Body	Shade and Bulb
STEP 1	STEP 2	STEP 3	STEP 4	STEP 5

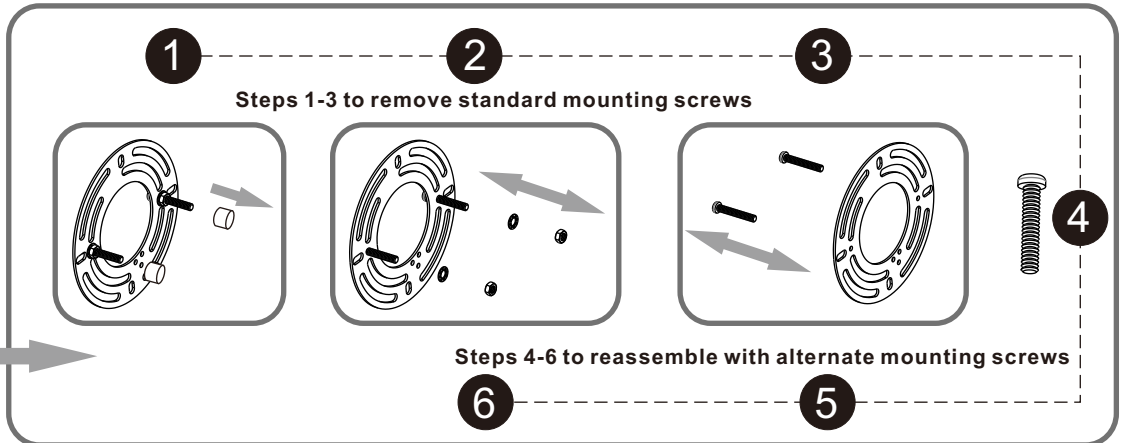
**STEP 1**

skip to next page

OPTION 1



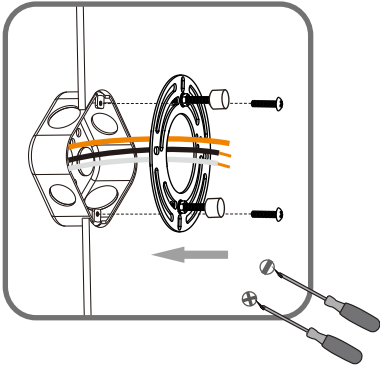
OPTION 2



## STEP 2

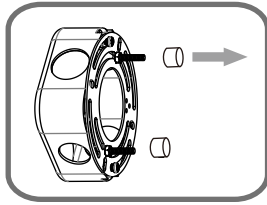
1

Step 1  
Install crossbar assembly

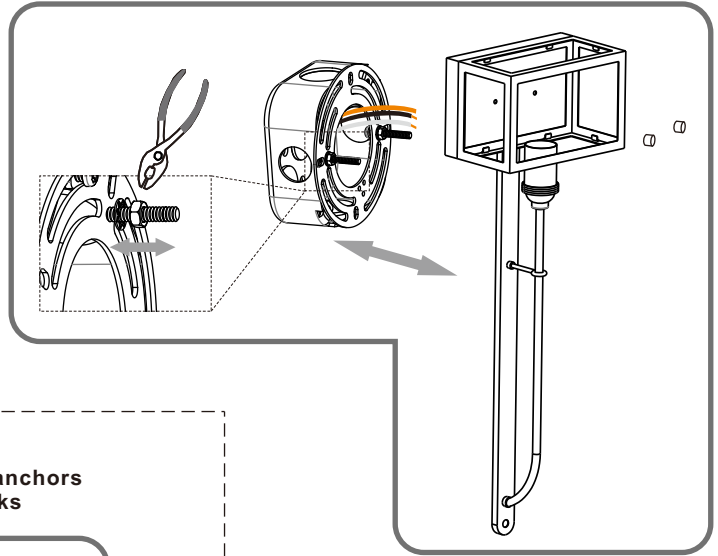


2

Step 2 - 3  
Test fitting backplate to mounting screws

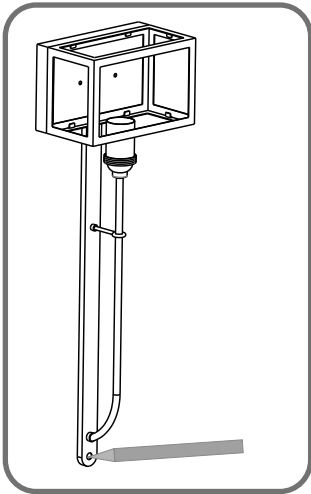


3



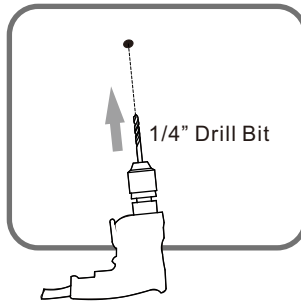
4

Mark anchor holes  
location on the wall



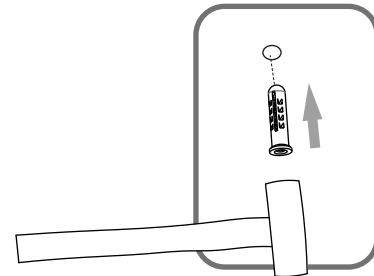
5

Drill holes for anchors  
from marks

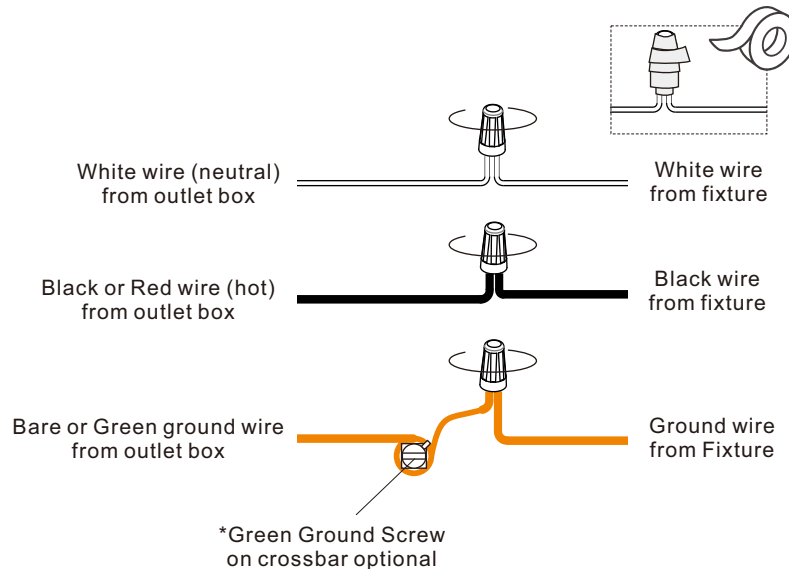


Install wall anchor

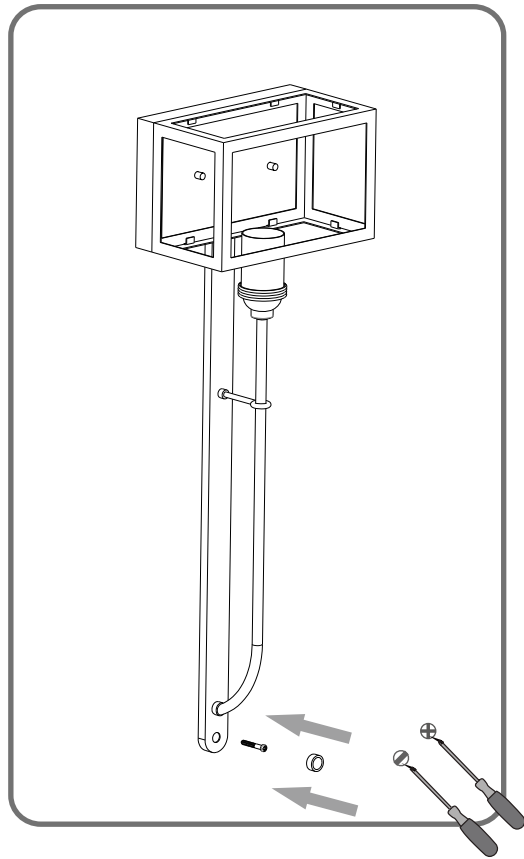
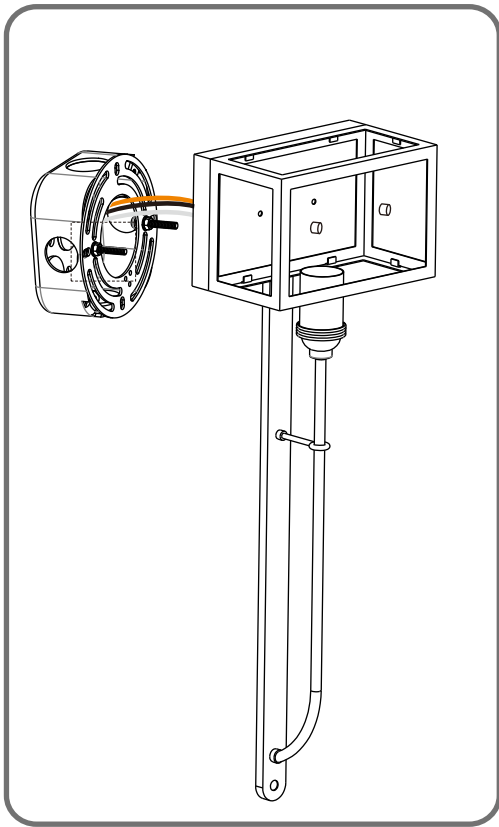
6



## STEP 3



**STEP 4**



**STEP 5**

