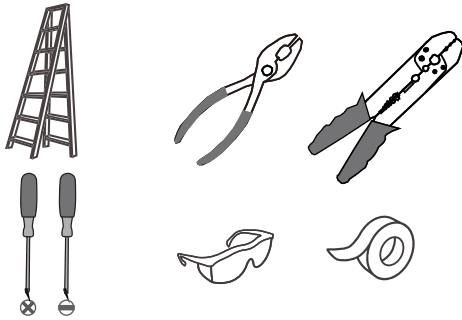
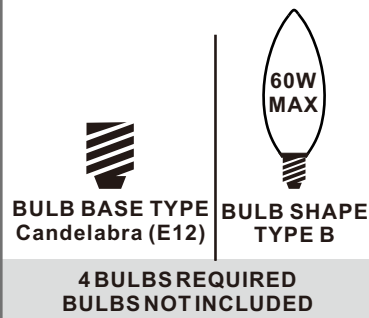


Tools Required



Light Source



**Fixture Height Adjustable
22" to 58"**

⚠ Warnings and Cautions

Turn off the electricity at the circuit breaker before installation. Consult a licensed electrician if in doubt about installation.

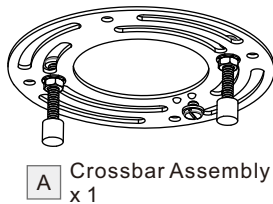
Turn off power to the fixture and allow the bulbs to cool before replacing.

Package Contents

Preparation: Identify and inspect all parts before beginning the installation.

Missing or damaged parts? Contact your original place of purchase.

PARTS BAG



- B** Outlet Box Screw x 2
- C** Wire Connector x 3

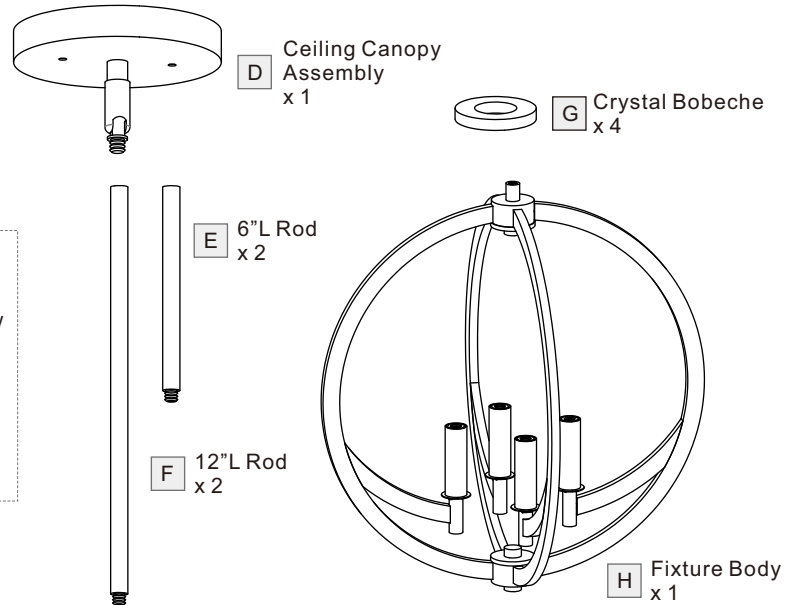


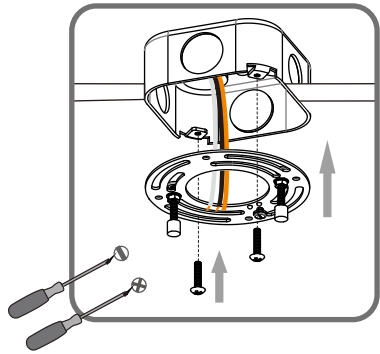
Table of Contents

| Crossbar Assembly | Ceiling Canopy Assembly & Downrod | Wiring | Ceiling Canopy | Crystal bobeche & Bulb |
|-------------------|-----------------------------------|--------|----------------|------------------------|
| | | | | |
| STEP 1 | STEP 2 | STEP 3 | STEP 4 | STEP 5 |

STEP 1

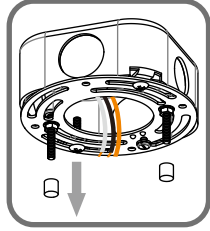
1

Step 1
Install crossbar assembly

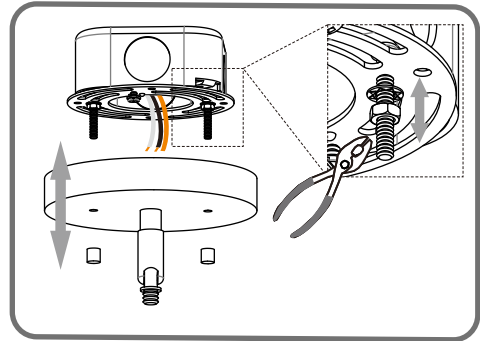


2

Step 2 - 3
Test fitting ceiling canopy to mounting screws



3



STEP 2

OPTION 1

Pendant — ON2818WT, ON2818BN

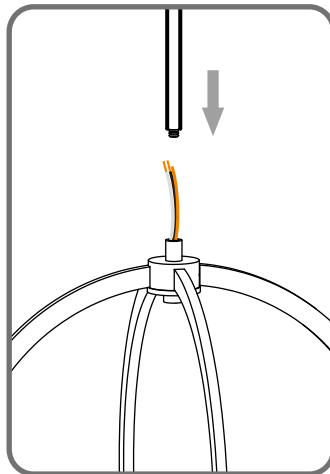
Optional Rods

8' ceiling:
(2) 12" L rods

9' ceiling:
(2) 6" L + (2) 12" L rods

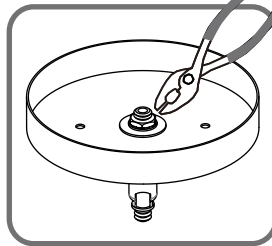
1

Install rods



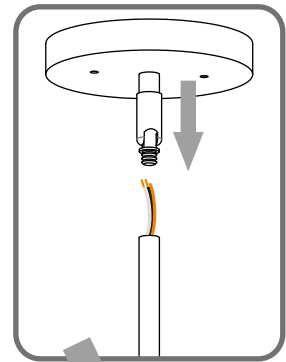
2

Tighten hex nut inside of the ceiling canopy



3

Install Ceiling Canopy

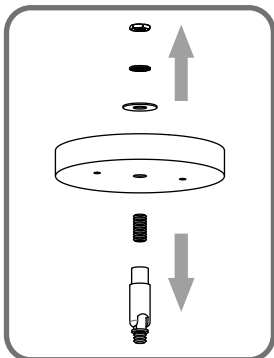


OPTION 2

Semi-flush — ON1718WT, ON1718BN

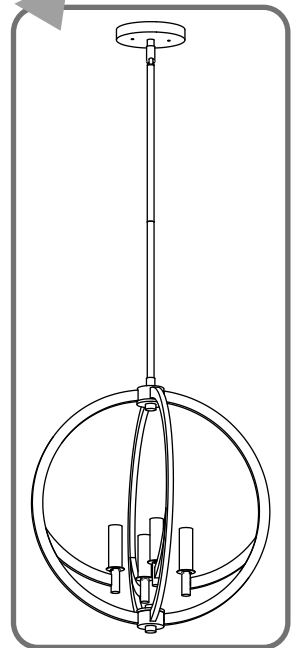
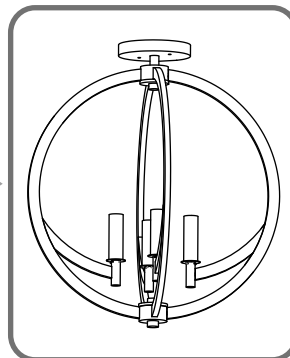
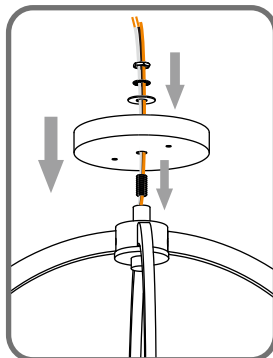
1

Remove swivel

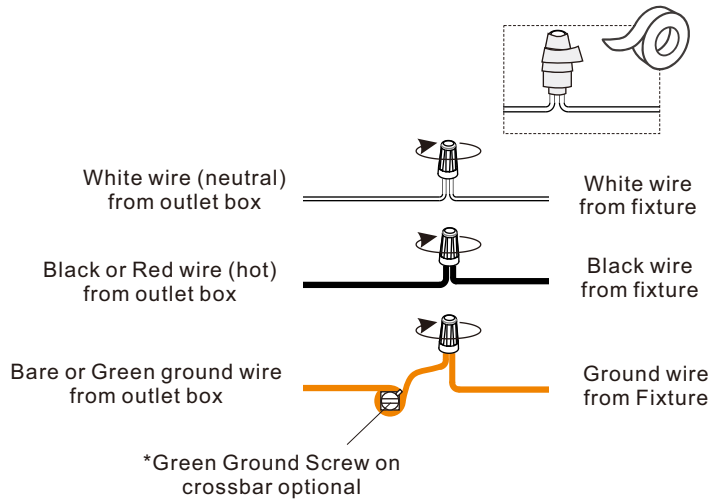


2

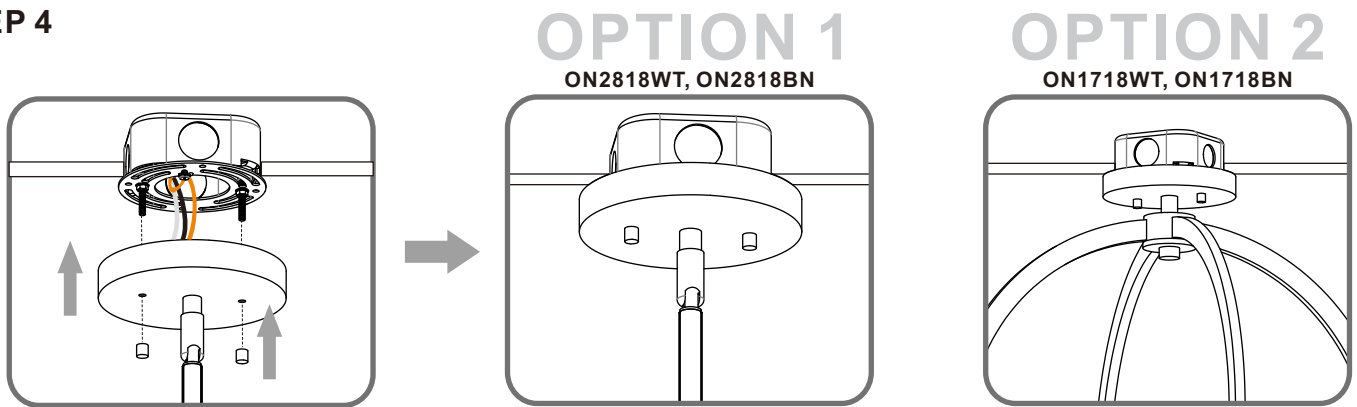
Install ceiling canopy



STEP 3



STEP 4



STEP 5

