

Please go to www.quoise.com for product cleaning tips. Go to the **Care + Maintenance** selection.

Tools Required: Flathead screwdriver, Phillips screwdriver, pliers, wire cutters, wire strippers, electrical tape, safety glasses.

Light Source: (3) A19 Medium Base Bulbs 100W Maximum, bulbs not included.

Estimated Assembly Time: 20-30 minutes

Preparation: Identify and inspect all parts before beginning installation. Check package content list and diagrams below to be sure all parts are present. If any parts are missing or damaged, do not attempt to assemble, install, or operate the fixture. Contact your original place of purchase.

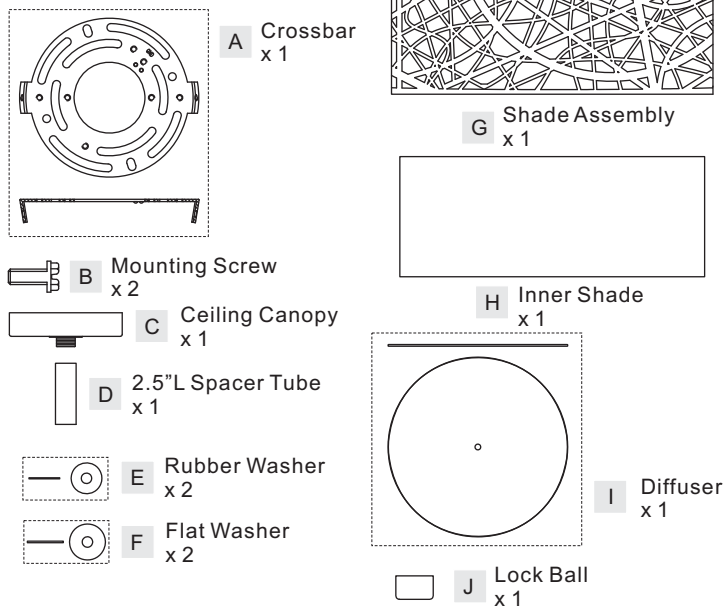
⚠ Warnings and Cautions

Turn off electricity at circuit breaker or main fuse box before installation. Consult a licensed electrician if in doubt.

These instructions are provided for your safety. It is very important you read them completely before installing the fixture. We strongly recommend that a licensed, professional electrician perform the installation.

Disconnect fixture from power source before replacing bulbs. Make sure bulbs are given sufficient time to cool before removal.

Package Contents



STEP 1 – Install Ceiling Canopy to Shade Assembly

- A. Screw one end of the Spacer Tube (D) onto the top center of the Shade Assembly (G) and hand tighten until snug.
- B. Thread the Ceiling Canopy (C) onto the top end of the Spacer Tube (D) and hand tighten until snug.

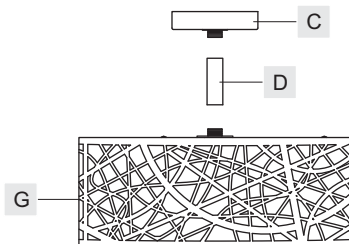


Figure 1

STEP 2 – Install the Crossbar to the junction box

- A. Attach the Crossbar (A) to the Outlet Box with the head of the Green Ground Screw facing you. Secure it with Outlet Box Screws (not included), tighten until snug.

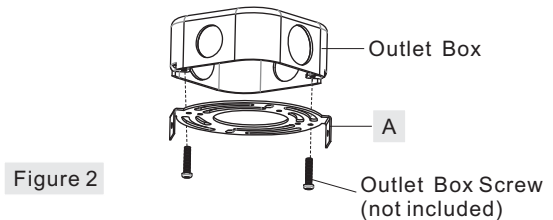


Figure 2

STEP 3 - Wire Connections

- A. Wrap bare or green ground wire around green ground screw on the crossbar, no less than 2 inches from the end of the wire. Tighten the green ground screw.
- B. Use standard wire connectors (not included) to make all wire connections. Twist connectors until wires are tightly joined together. Wrap each connection with approved electrical tape and carefully stuff all the connected wires into the Outlet Box.

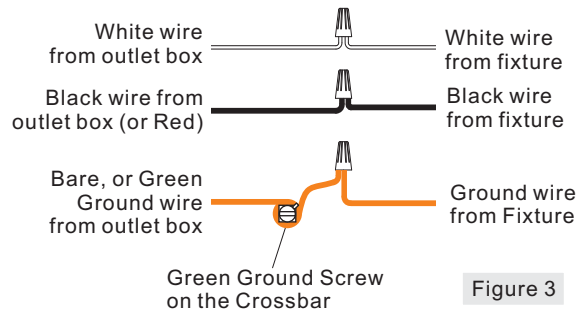


Figure 3

STEP 4 – Attach Ceiling Canopy to Crossbar

- A. Line up the holes on the side of the Ceiling Canopy (C) to the mounting holes on the Crossbar (A). Secure them with Mounting Screws (B). Tighten until snug.

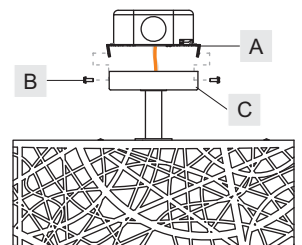


Figure 4

STEP 5 - Install Inner Shade, Diffuser and Bulbs

- A. Adjust the Hex Nut on the bottom end of the Nipple to proper locations for rest components. Place the Diffuser (I) against the tabs on the bottom edge of the Inner Shade (H).
- C. Place Rubber Washers (E), Flat Washers (F), the Diffuser (I) with the Inner Shade (H) over the end of the Nipple as shown. Secure them together by threading the Lock Ball (J) onto the Nipple. Hand tighten until snug.
- C. Insert bulbs onto sockets and screw snugly into place.

Your fixture is now assembled and ready to use. Enjoy!

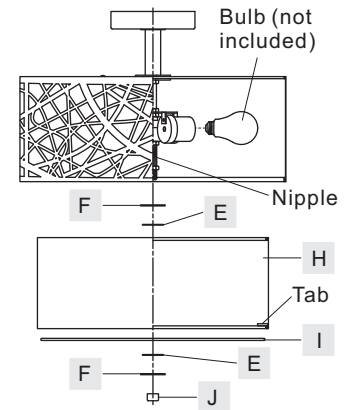
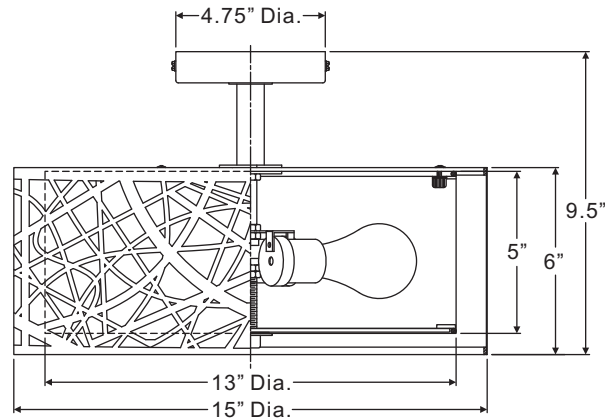
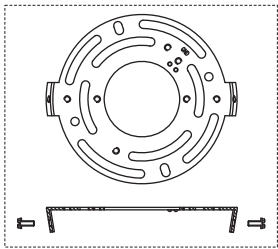


Figure 5

PCAE1715C

FINISH: POLISHED CHROME



NOTE: ALL DIMENSIONS ARE ROUNDED UP TO THE NEAREST 1/4"