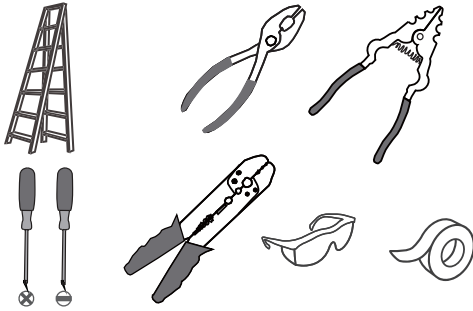
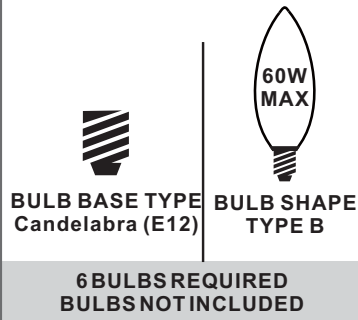


Tools Required



Light Source



Fixture Height Adjustable
28" to 124"

Warnings and Cautions

Turn off the electricity at the circuit breaker before installation. Consult a licensed electrician if in doubt about installation.

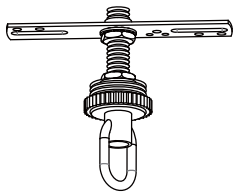
Turn off power to the fixture and allow the bulbs to cool before replacing.

Package Contents

Preparation: Identify and inspect all parts before beginning the installation.

Missing or damaged parts? Contact your original place of purchase.

PARTS BAG



A Crossbar Assembly
x 1

B Outlet Box Screw
x 2

C Wire Connector
x 3

D Quick Link
x 2

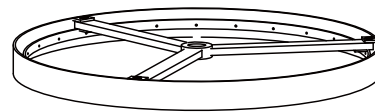
E Fixture Chain
x 1

F Ceiling Canopy
x 1



G Fixture Loop
x 1

H Ring
x 1

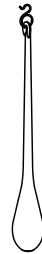


I Fixture Ring
x 1

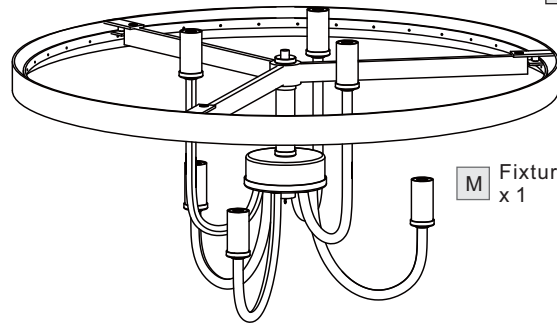
J Cap
x 1

K Rod
x 1

L Stem
x 1



N Crystal Drop
x 72

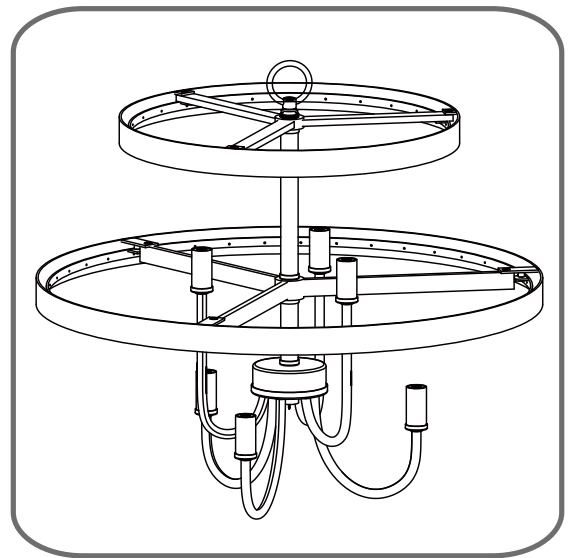
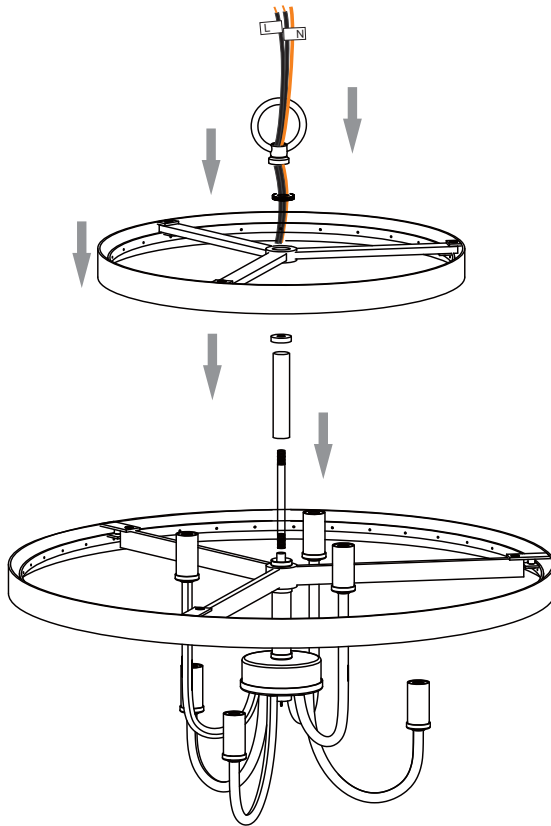


M Fixture Body
x 1

Table of Contents

Fixture Body	Crossbar Assembly	Fixture Chain	Wiring	Ceiling Canopy	Shade & Bulb
STEP 1	STEP 2	STEP 3	STEP 4	STEP 5	STEP 6

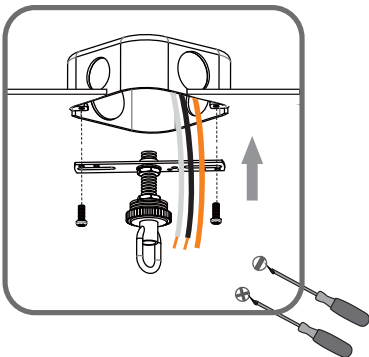
STEP 1



STEP 2

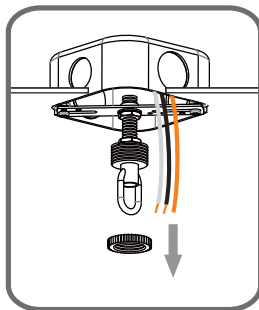
1

Step 1
Install crossbar assembly

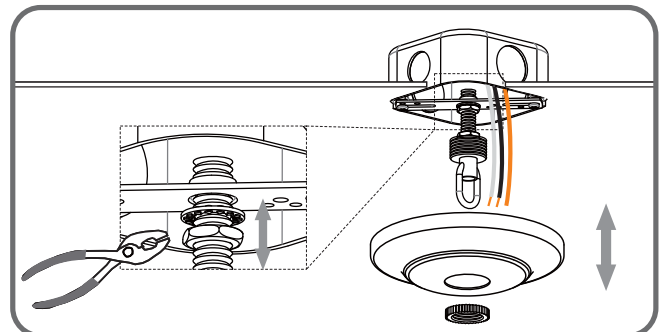


2

Step 2 - 3
Test fitting ceiling canopy to nipple



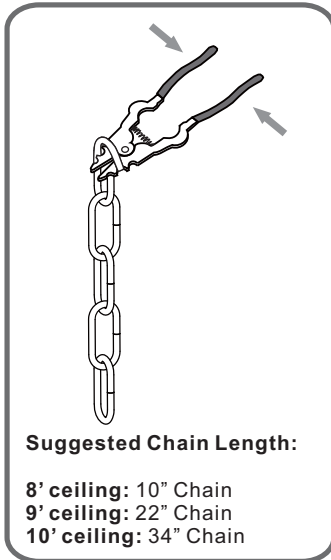
3



STEP 3

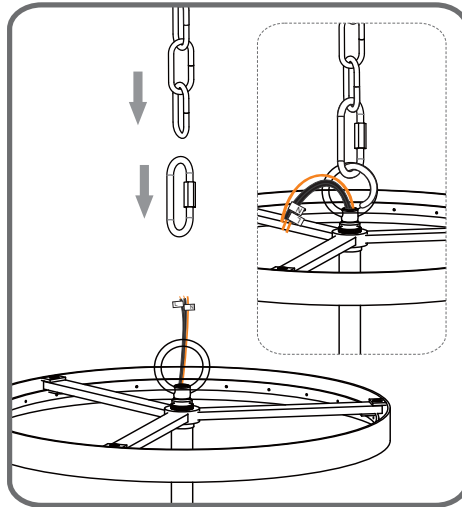
1

Step 1
Adjust fixture chain length

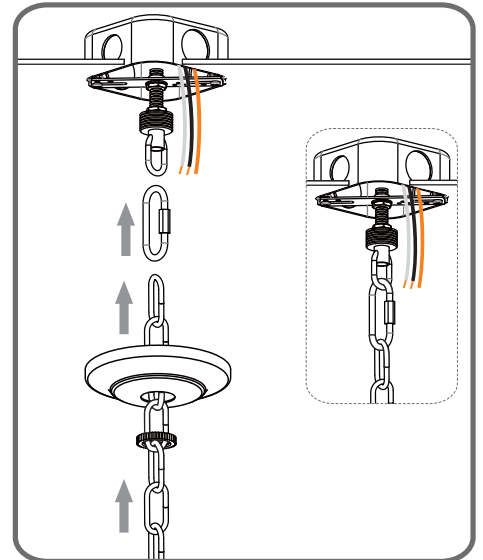


2

Step 2 - 3
Install Fixture Chain



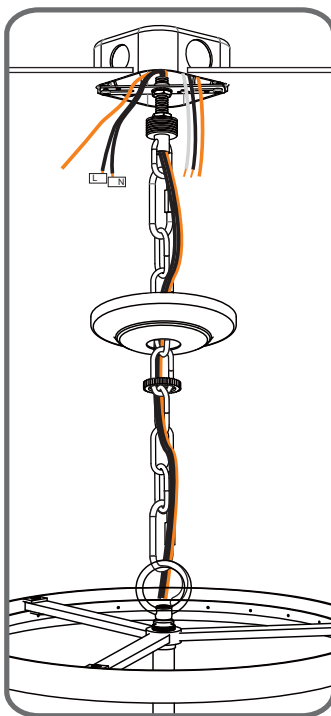
3



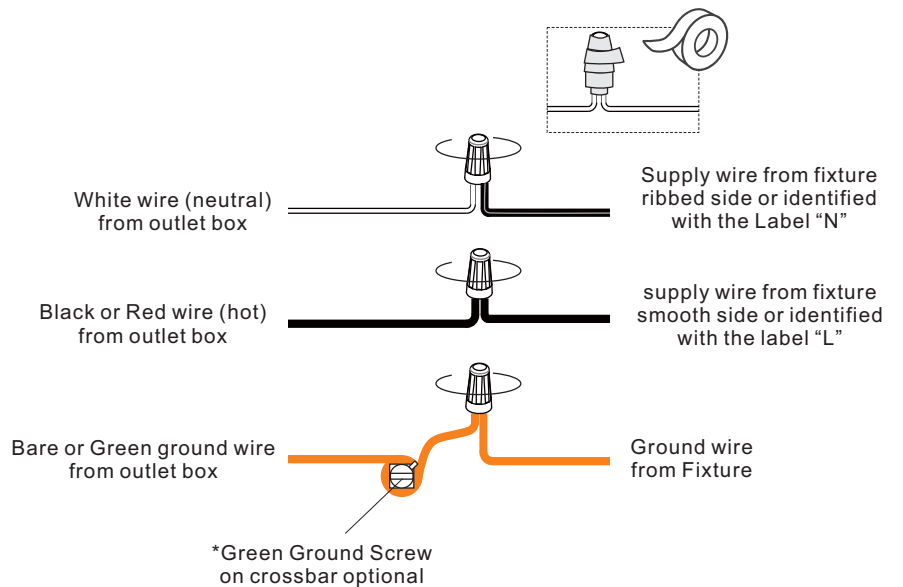
STEP 4

1

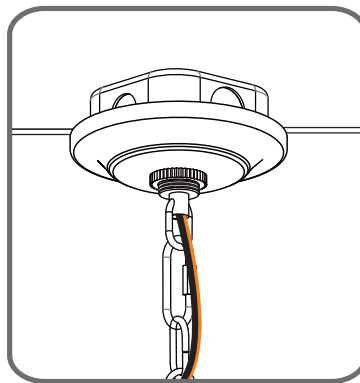
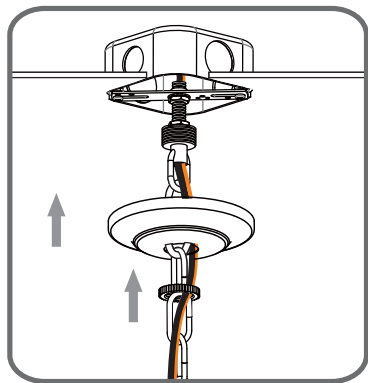
Step 1
Feed the fixture wires through the loop



2



STEP 5



STEP 6

