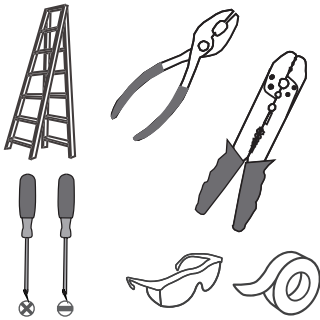
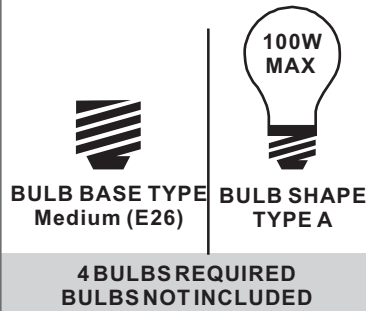


**Tools Required**



**Light Source**



**Warnings and Cautions**

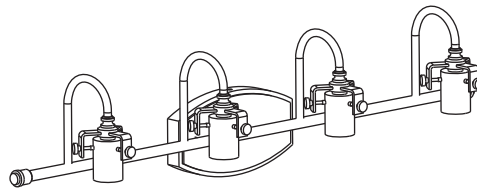
Turn off the electricity at the circuit breaker before installation. Consult a licensed electrician if in doubt about installation.

Turn off power to the fixture and allow the bulbs to cool before replacing.

**Package Contents**

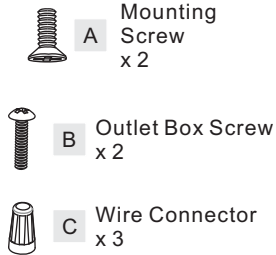
**Preparation:** Identify and inspect all parts before beginning the installation.

Missing or damaged parts? Contact your original place of purchase.



**E** Fixture Body  
x 1

**PARTS BAG**



**A** Mounting Screw  
x 2

**B** Outlet Box Screw  
x 2

**C** Wire Connector  
x 3



**D** Inner Backplate  
x 1

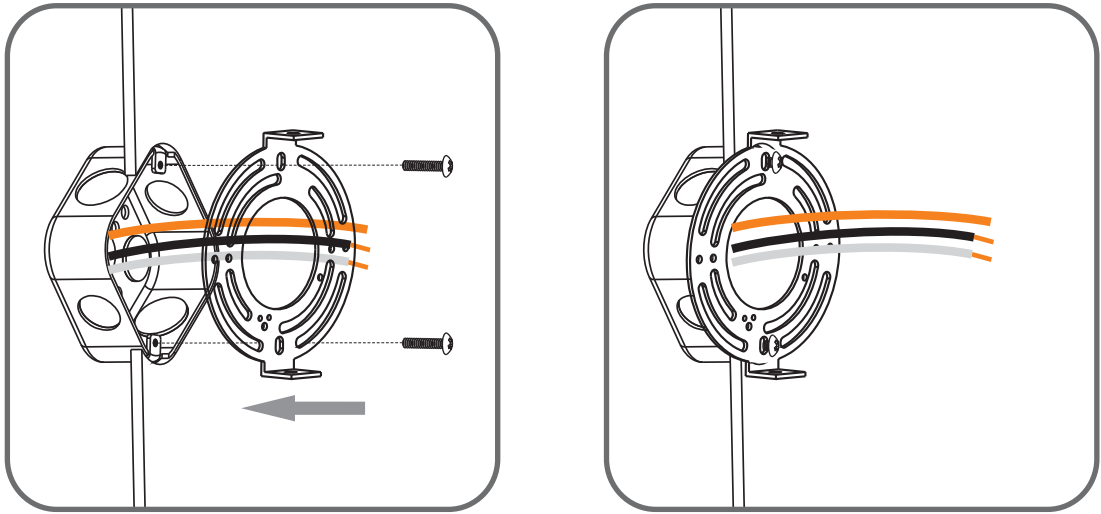


**F** Shade  
x 4

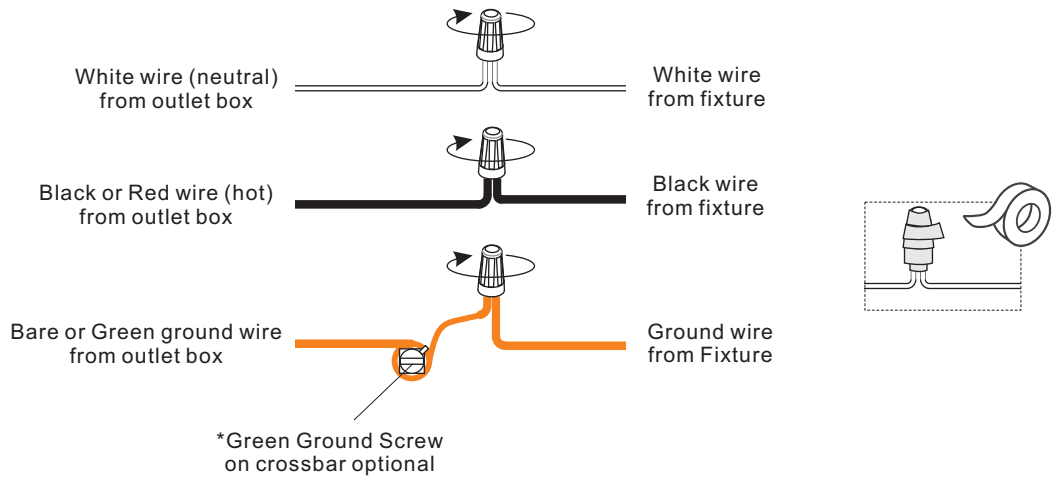
**Table of Contents**

Inner Backplate	Wiring	Fixture Body	Shade & Bulb
<b>STEP 1</b>	<b>STEP 2</b>	<b>STEP 3</b>	<b>STEP 4</b>

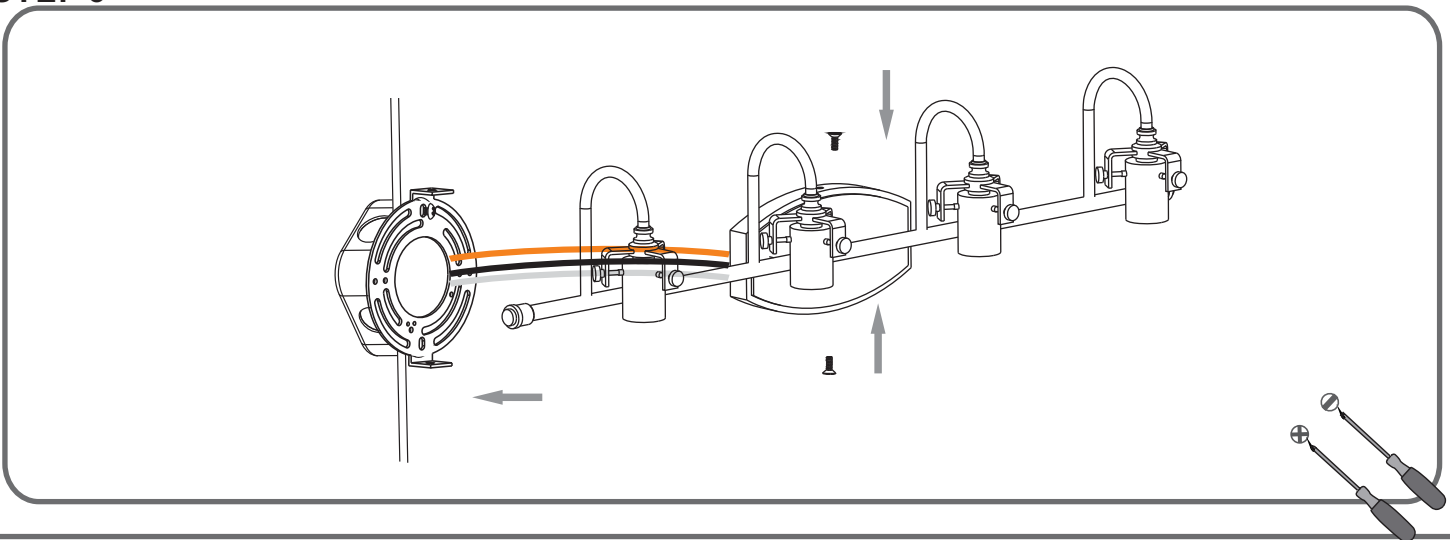
### STEP 1



### STEP 2

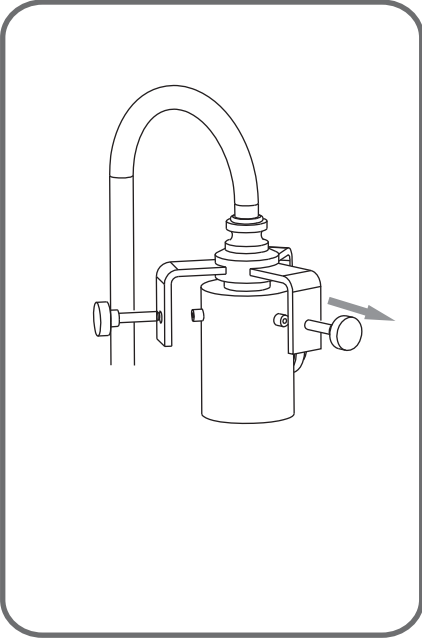


### STEP 3



STEP 4

1



2

