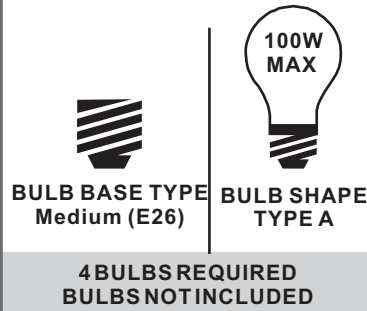


Tools Required



Light Source



Warnings and Cautions

Turn off the electricity at the circuit breaker before installation. Consult a licensed electrician if in doubt about installation.

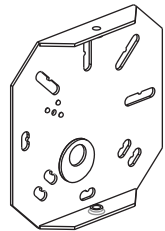
Turn off power to the fixture and allow the bulbs to cool before replacing.

Package Contents

Preparation: Identify and inspect all parts before beginning the installation.

Missing or damaged parts? Contact your original place of purchase.

PARTS BAG



A Inner Backplate x 1

B Lock Screw x 2

C Outlet Box Screw x 2

D Wire Connector x 3

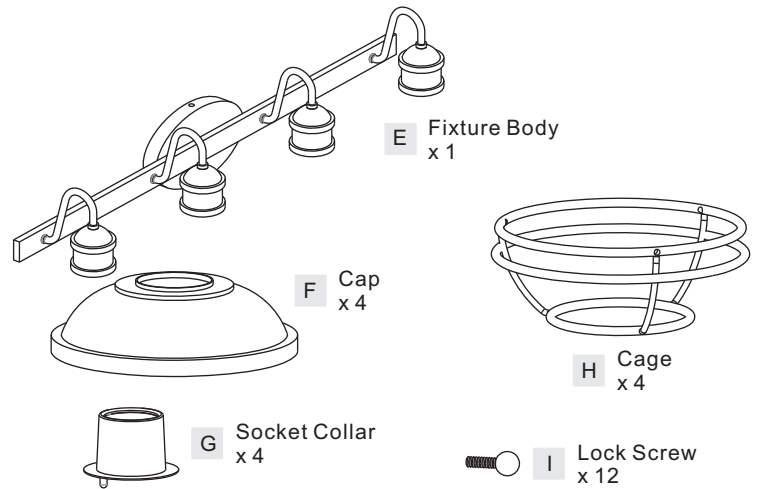
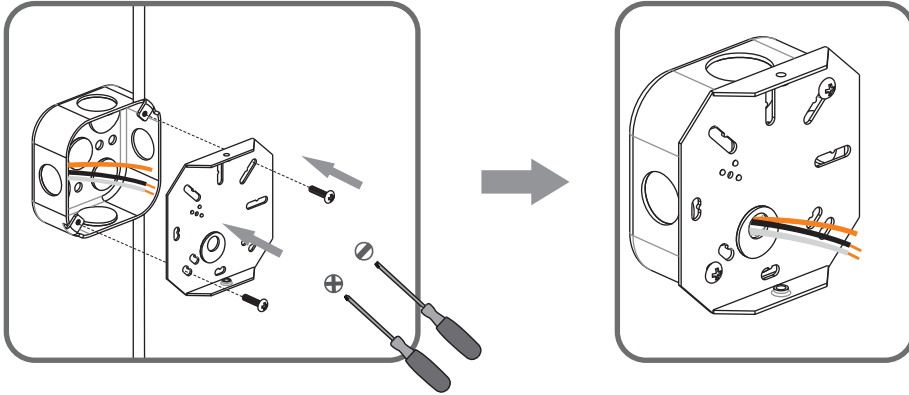


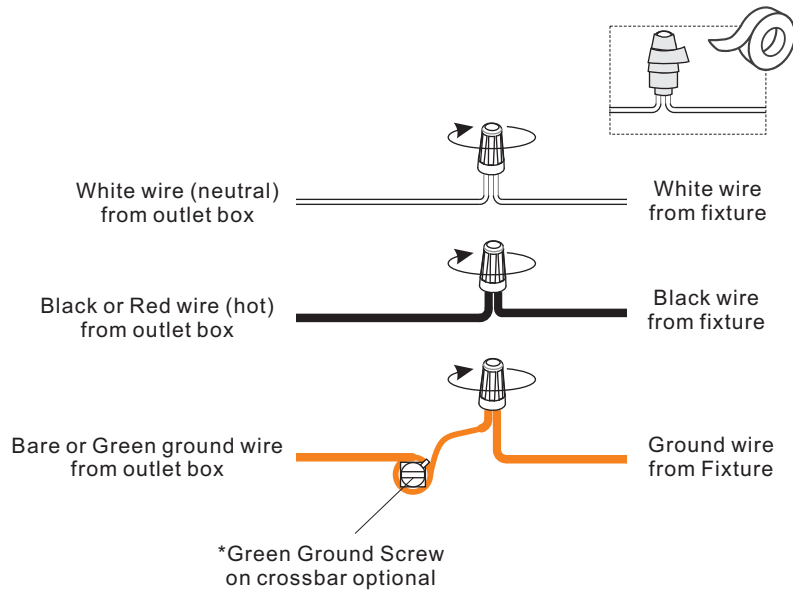
Table of Contents

Inner Backplate	Wiring	Fixture Body	Cap	Cage	Bulb
STEP 1	STEP 2	STEP 3	STEP 4	STEP 5	STEP 6

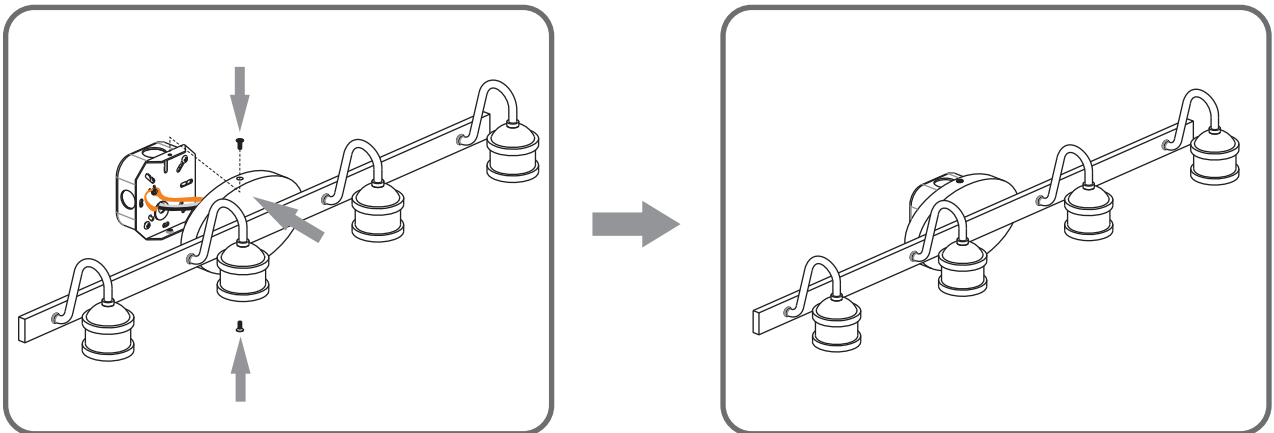
STEP 1



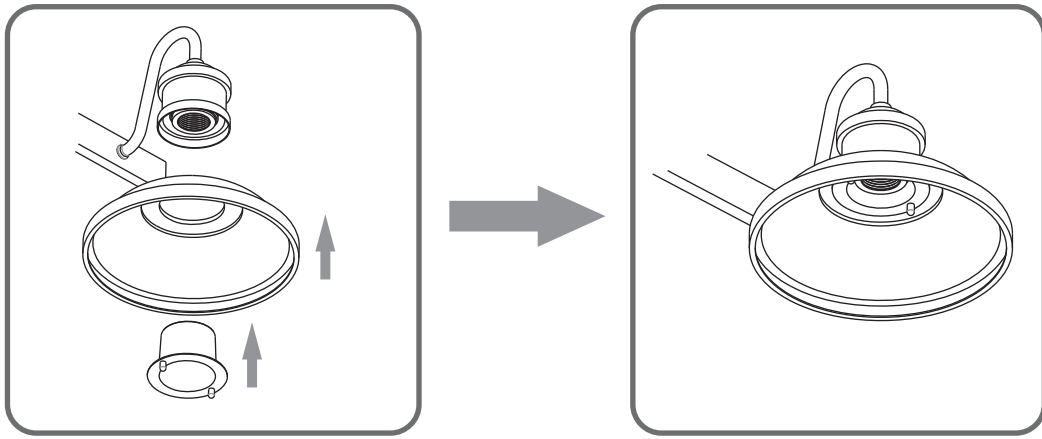
STEP 2



STEP 3



STEP 4

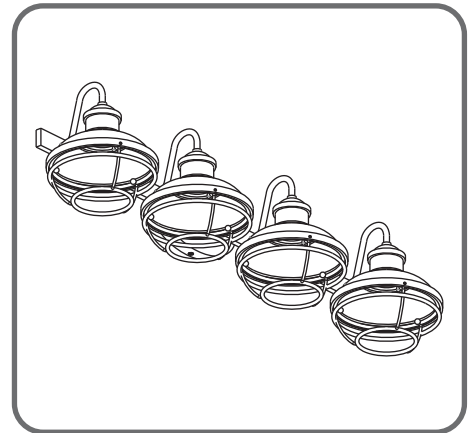
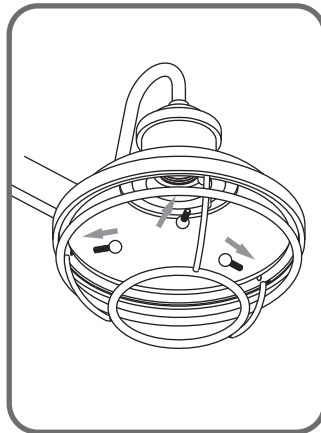
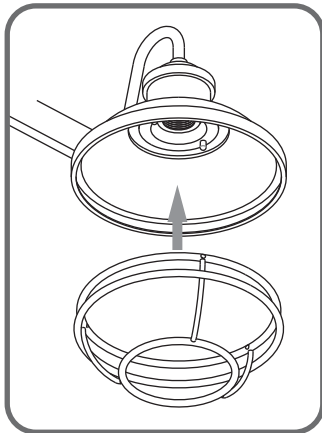


STEP 5



Attach cage to cap

Install lock screws



STEP 6

