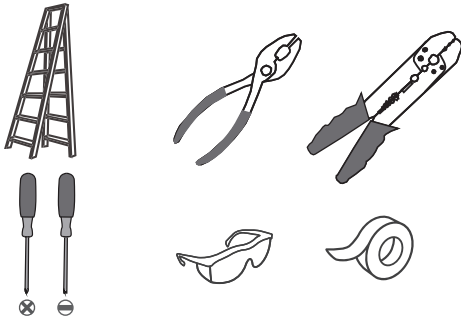
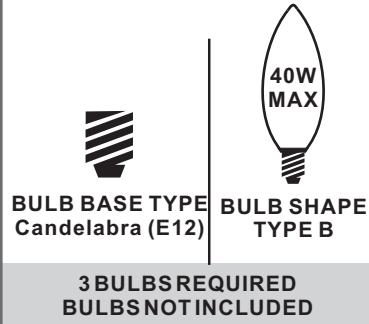


Tools Required



Light Source



Warnings and Cautions

Turn off the electricity at the circuit breaker before installation. Consult a licensed electrician if in doubt about installation.

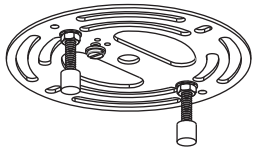
Turn off power to the fixture and allow the bulbs to cool before replacing.

Package Contents

Preparation: Identify and inspect all parts before beginning the installation.

Missing or damaged parts? Contact your original place of purchase.

PARTS BAG



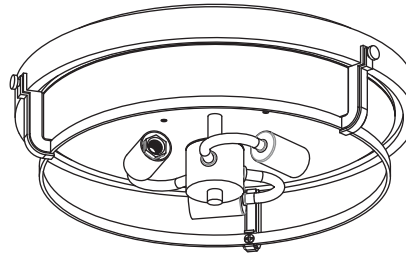
A Crossbar Assembly
x 1



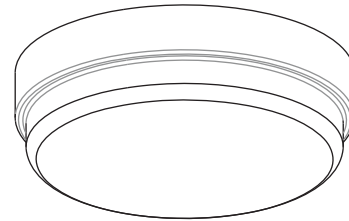
B Outlet Box Screw
x 2



C Wire Connector
x 3


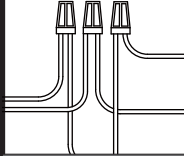
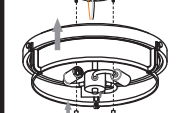
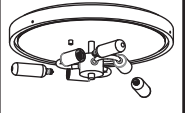



D Fixture Body
x 1

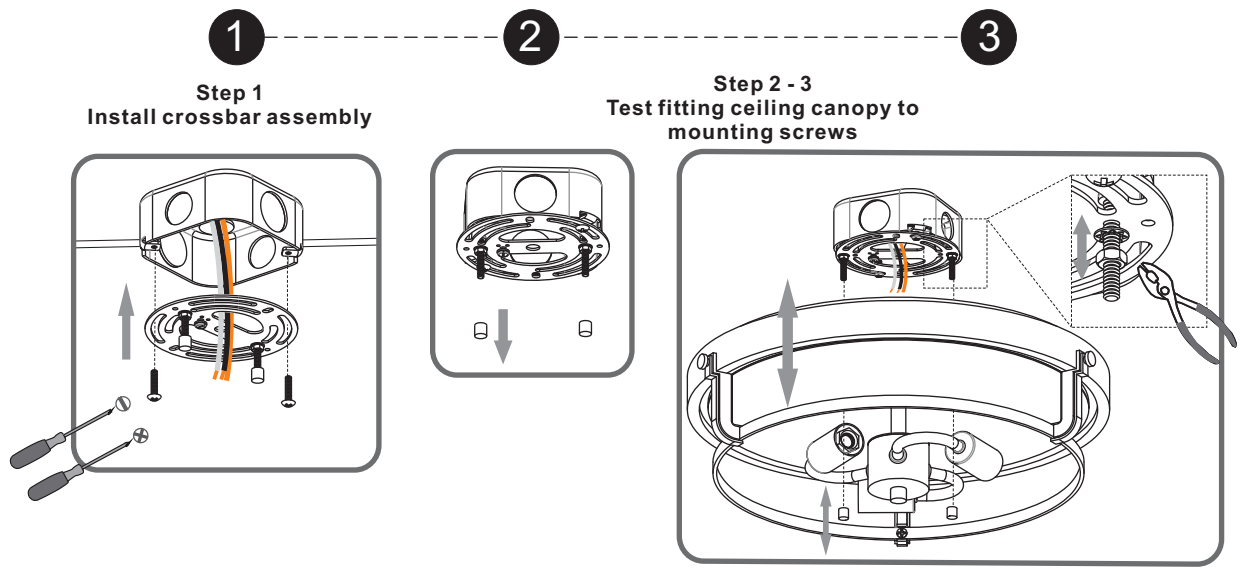


E Glass Shade
x 1

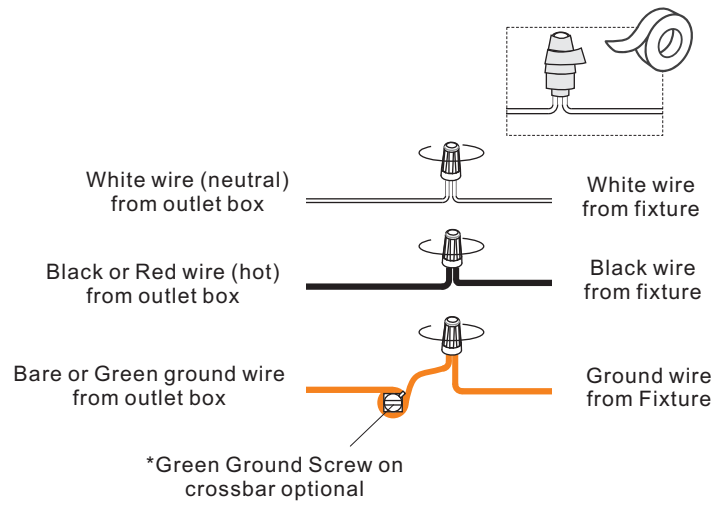
Table of Contents

Crossbar Assembly	Wiring	Fixture Body	Bulbs	Glass Shade
				
STEP 1	STEP 2	STEP 3	STEP 4	STEP 5

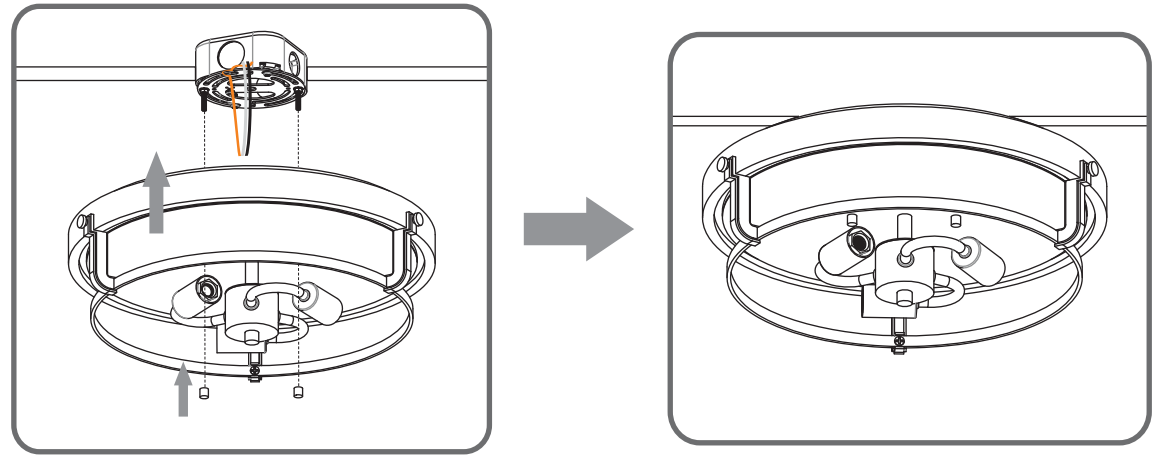
STEP 1



STEP 2



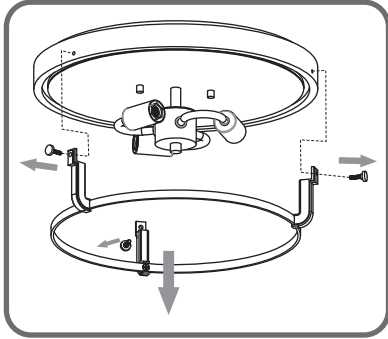
STEP 3



STEP 4

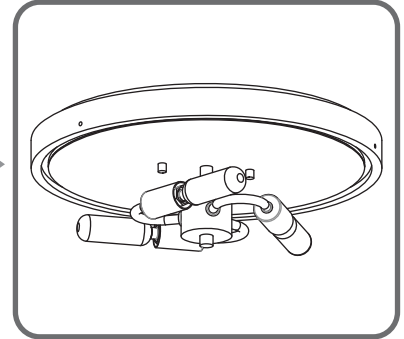
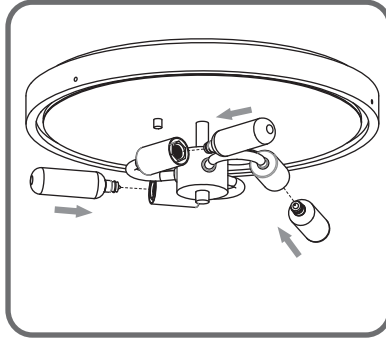
1

Remove Lock Screws



2

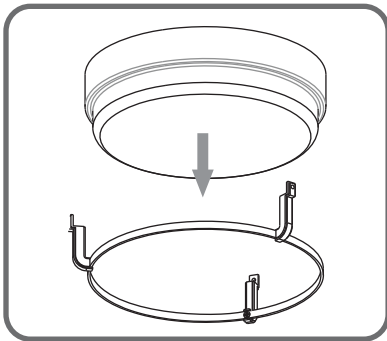
Install Bulbs



STEP 5

1

Install Glass to Ring



2

Install Ring with Glass

