

Please go to www.quoizel.com for product cleaning tips. Go to the **Care + Maintenance** selection.

Tools Required: Flathead screwdriver, Phillips screwdriver, pliers, wire cutters, wire strippers, electrical tape, safety glasses.

Light Source: LED 55W

Estimated Assembly Time: 20-30 minutes

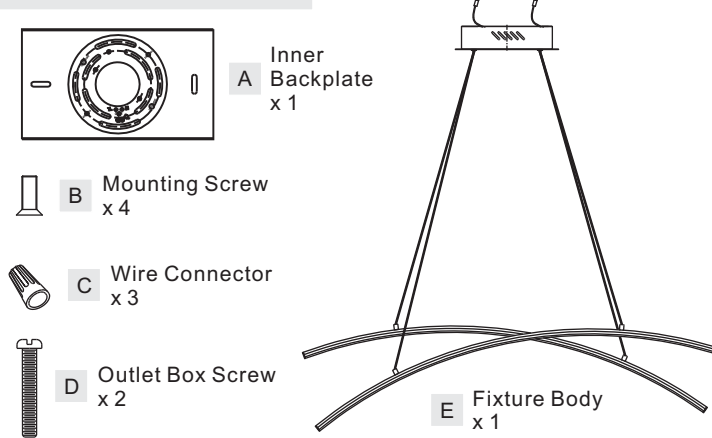
Preparation: Identify and inspect all parts before beginning installation. Check package content list and diagrams below to be sure all parts are present. If any parts are missing or damaged, do not attempt to assemble, install, or operate the fixture. Contact your original place of purchase.

⚠ Warnings and Cautions

Turn off electricity at circuit breaker or main fuse box before installation. Consult a licensed electrician if in doubt.

These instructions are provided for your safety. It is very important you read them completely before installing the fixture. We strongly recommend that a licensed, professional electrician perform the installation.

Package Contents



STEP 1 - Adjust the Fixture Body Height

A. Push the pin on the bottom of the ceiling canopy and adjust the cable to your desired hanging height. Release your hand on the pin and move the wire clasp next to the hex nut inside of the ceiling canopy.

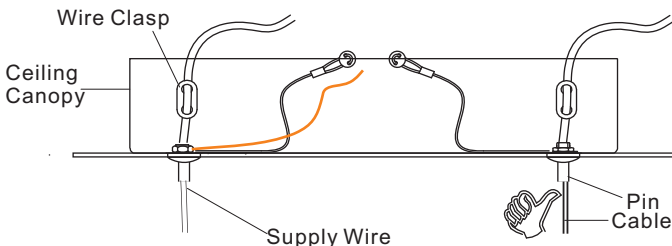


Figure 1

STEP 2 - Install Inner Backplate

A. Pass the supply wires and ground wire through the Inner Backplate (A). Attach the Inner Backplate (A) to outlet box with the head of green ground screw facing you. Secure it with Outlet Box Screws (D). Tighten until snug.

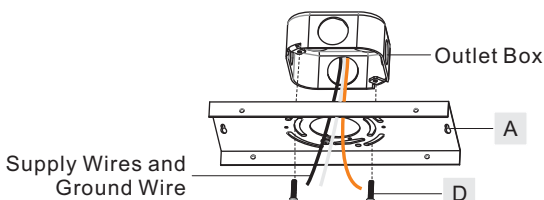


Figure 2

STEP 3 - Attach Lanyard

- A. The purpose of the lanyard is to provide the installer a means to support the fixture from the junction box while connecting the electrical wires. This enables the fixture to hang from the junction box and your hands are free to make the wire connections.
- B. Turn the Button Stop so it may be inserted into the Inner Backplate slot. Make sure the Button Stop is completely inside the Inner Backplate (A). Slowly release the fixture to make sure it is supported by the Button Stop. Proceed to the wiring steps in the next step. Once you are complete with the wiring there is nothing to do with Lanyard. The Lanyard will push into the junction box when the fixture is placed for final mounting.

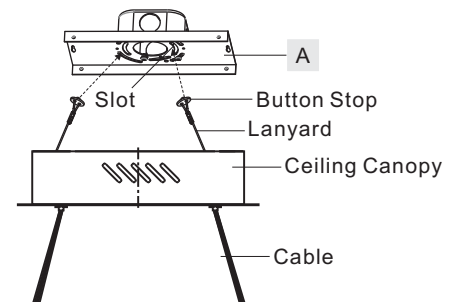
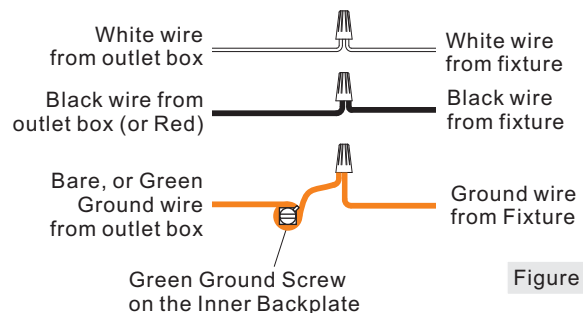


Figure 3

STEP 4 - Make Wire Connections

- A. Wrap bare or green ground wire around green ground screw on the inner backplate, no less than 2 inches from the end of the wire. Tighten the green ground screw.
- B. Use standard Wire Connectors (C) to make all wire connections. Twist connectors until wires are tightly joined together. Wrap each connection with approved electrical tape and carefully stuff all the connected wires into the outlet box.



STEP 5 - Install Fixture Body

A. Attach the ceiling canopy and the Fixture Body (E) over the Inner Backplate (A) and secure with Mounting Screws (B). Tighten until snug with screwdrivers.

Your fixture is now assembled and ready to use. Enjoy!

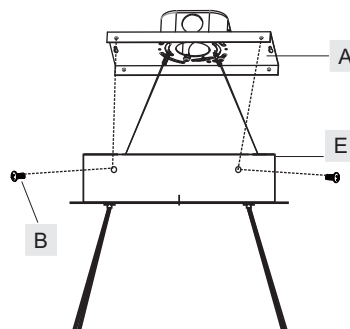


Figure 5