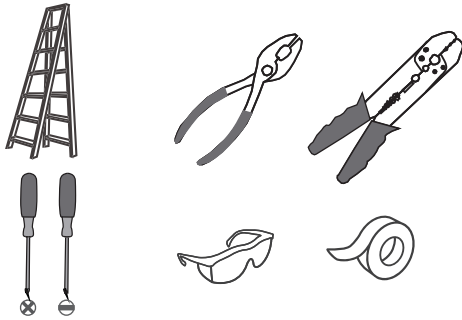
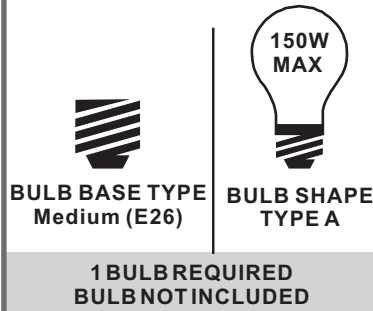


Tools Required



Light Source



**Fixture Height Adjustable
18.5" to 54.5"**

⚠ Warnings and Cautions

Turn off the electricity at the circuit breaker before installation. Consult a licensed electrician if in doubt about installation.

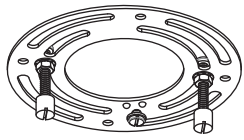
Turn off power to the fixture and allow the bulbs to cool before replacing.

Package Contents

Preparation: Identify and inspect all parts before beginning the installation.

Missing or damaged parts? Contact your original place of purchase.

PARTS BAG



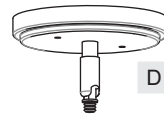
A Crossbar Assembly
x 1



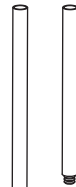
B Outlet Box Screw
x 2



C Wire Connector
x 3



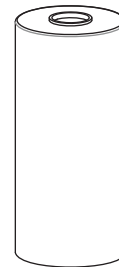
D Ceiling Canopy
x 1



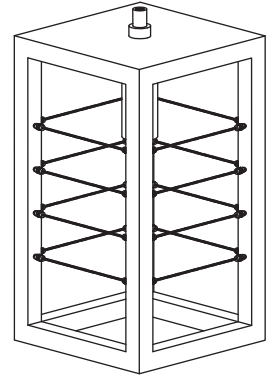
E 6" L Rod
x 2



F 12" L Rod
x 2



H Glass
x 1

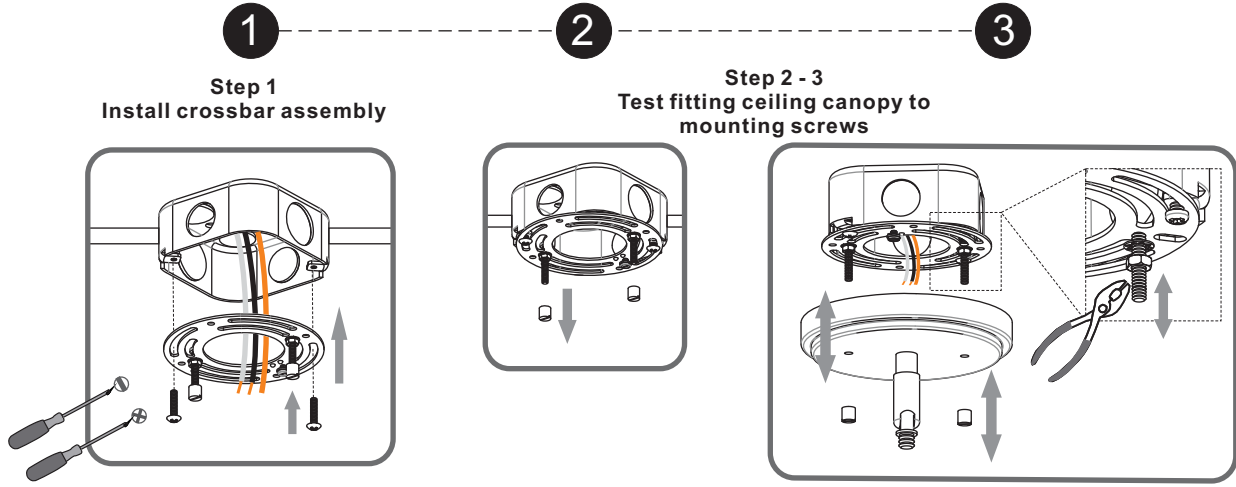


G Fixture Body
x 1

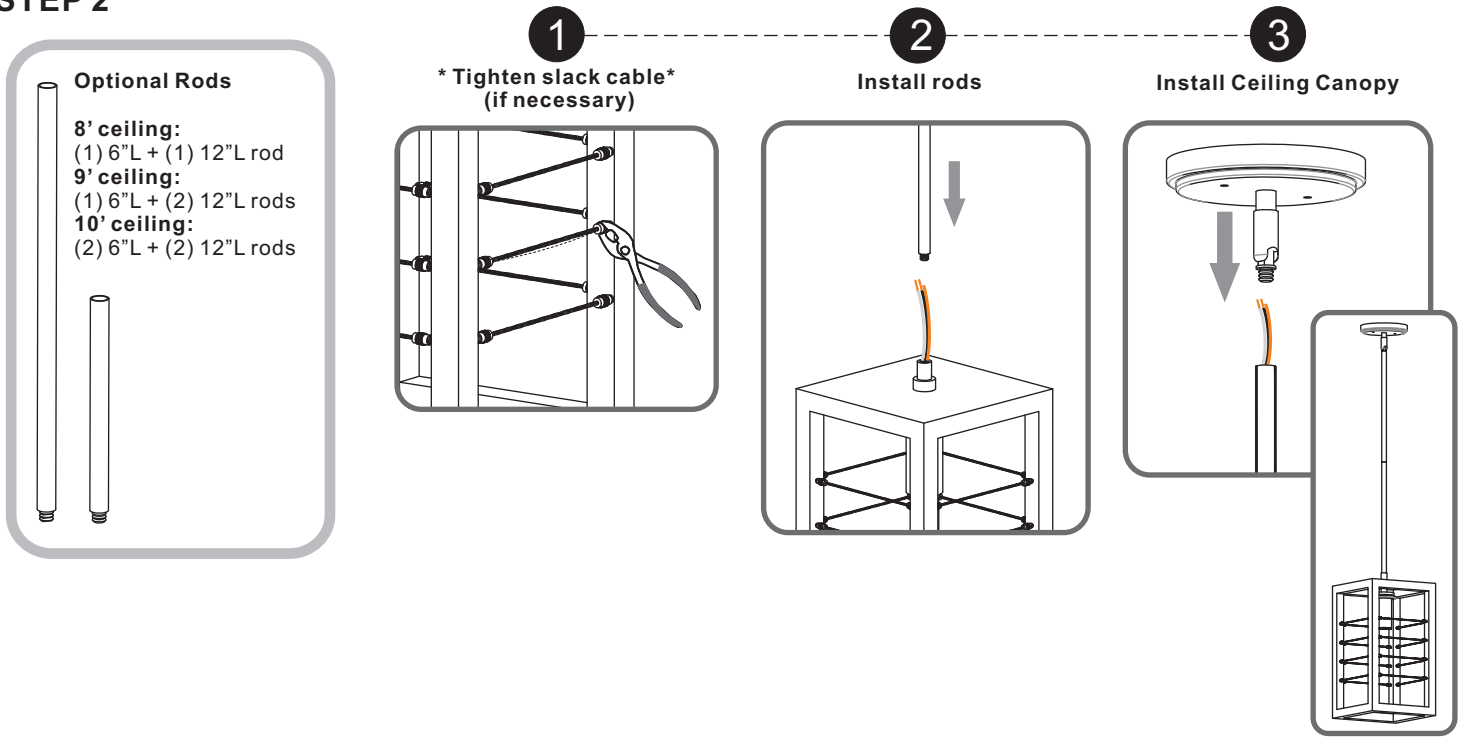
Table of Contents

Crossbar Assembly	Ceiling Canopy & Downrod	Wiring	Ceiling Canopy	Glass	Bulb
STEP 1	STEP 2	STEP 3	STEP 4	STEP 5	STEP 6

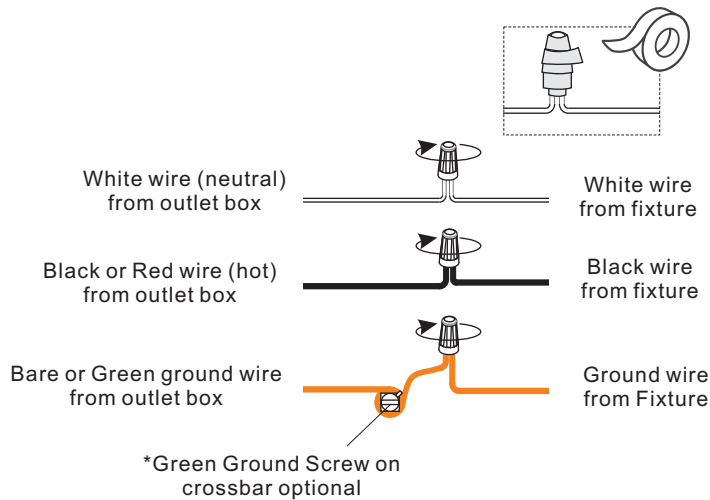
STEP 1



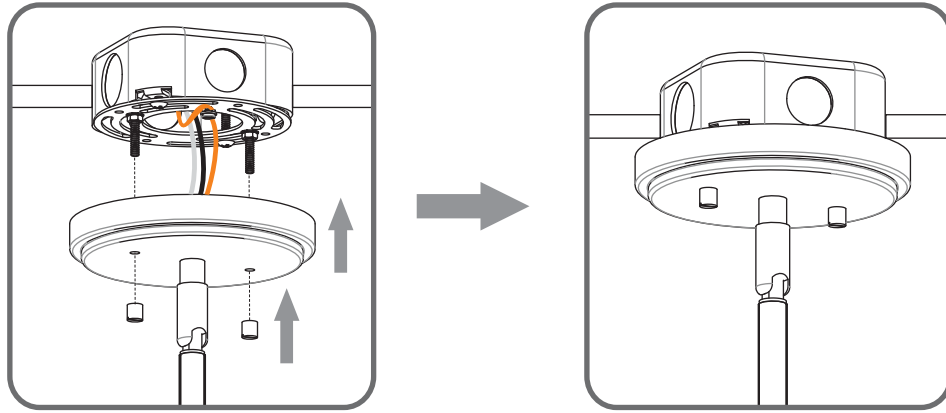
STEP 2



STEP 3



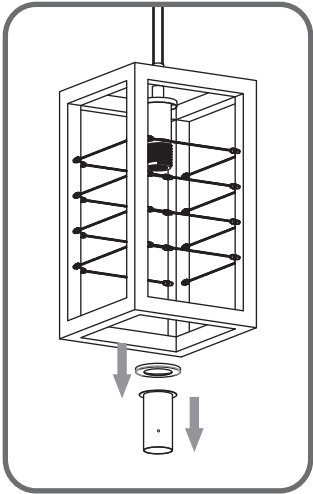
STEP 4



STEP 5

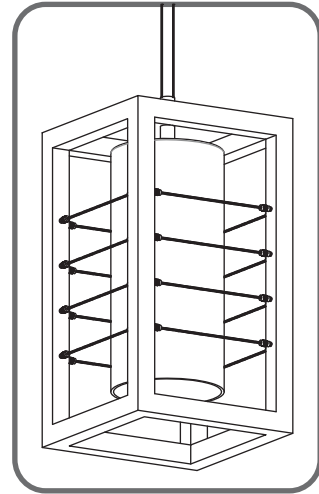
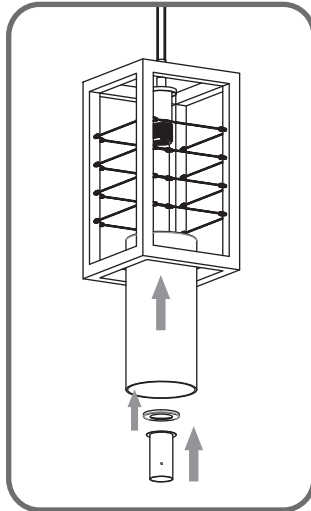
1

Remove socket collar and glass holder



2

Install glass



STEP 6

