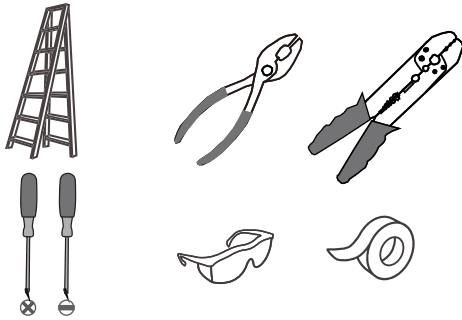
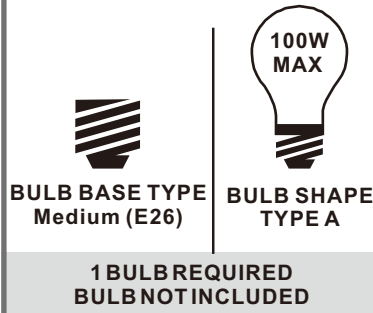


**Tools Required**



**Light Source**



**Fixture Height Adjustable  
12" to 50"**

**⚠ Warnings and Cautions**

Turn off the electricity at the circuit breaker before installation. Consult a licensed electrician if in doubt about installation.

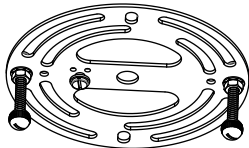
Turn off power to the fixture and allow the bulbs to cool before replacing.

**Package Contents**

**Preparation:** Identify and inspect all parts before beginning the installation.

Missing or damaged parts? Contact your original place of purchase.

**PARTS BAG**



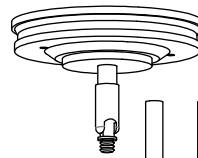
**A** Crossbar Assembly  
x 1



**B** Outlet Box Screw  
x 2



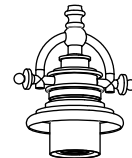
**C** Wire Connector  
x 3



**D** Ceiling Canopy Assembly  
x 1

**E** 6" L Rod  
x 2

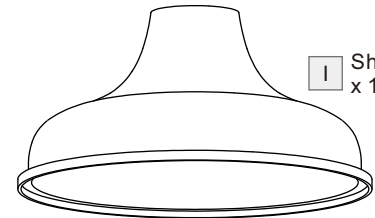
**F** 12" L Rod  
x 2



**G** Fixture Body  
x 1



**H** Ring  
x 1



**I** Shade  
x 1

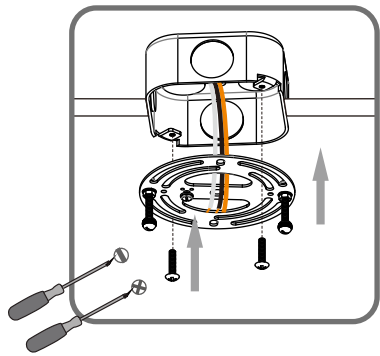
**Table of Contents**

Crossbar Assembly	Ceiling Canopy Assembly & Downrod	Wiring	Ceiling Canopy	Ring & shade	Bulb
<b>STEP 1</b>	<b>STEP 2</b>	<b>STEP 3</b>	<b>STEP 4</b>	<b>STEP 5</b>	<b>STEP 6</b>

**STEP 1**

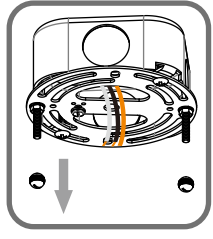
**1**

**Step 1**  
Install crossbar assembly

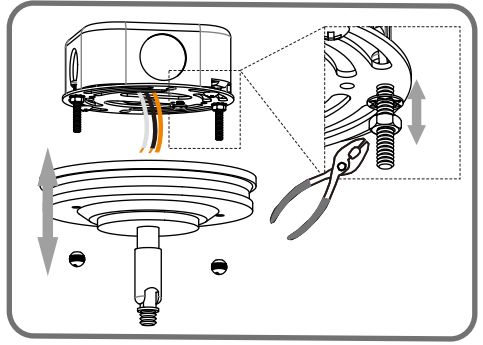


**2**

**Step 2 - 3**  
Test fitting ceiling canopy to mounting screws



**3**



**STEP 2**

**OPTION 1**

Pendant — GRTS2814PN

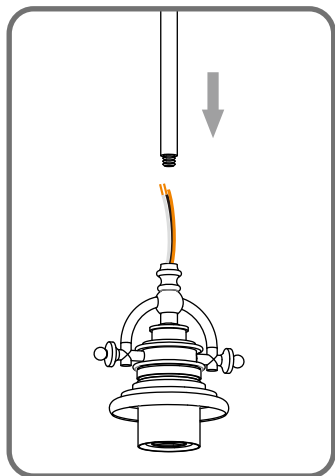
**Optional Rods**

**8' ceiling:**  
(2) 12" L rods

**9' ceiling:**  
(2) 6" L + (2) 12" L rods

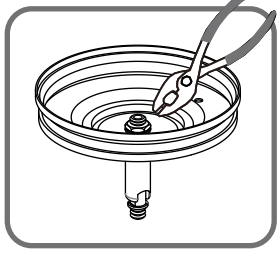
**1**

Install rods



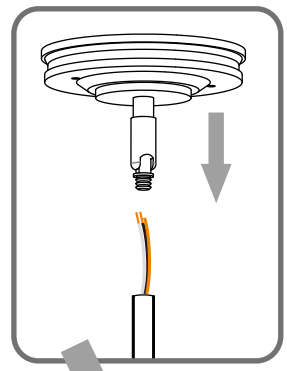
**2**

Tighten hex nut inside of the ceiling canopy



**3**

Install Ceiling Canopy

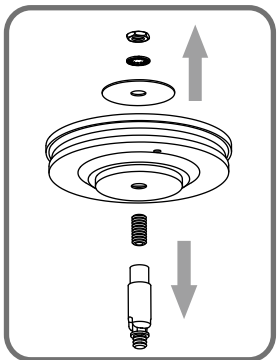


**OPTION 2**

Semi-flush — GRTS1714PN

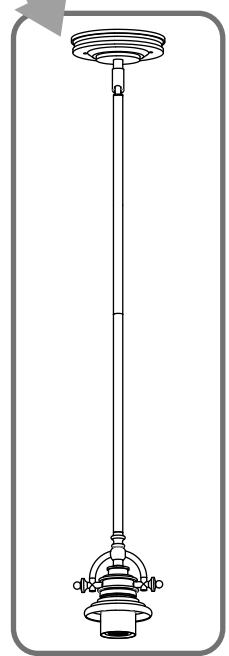
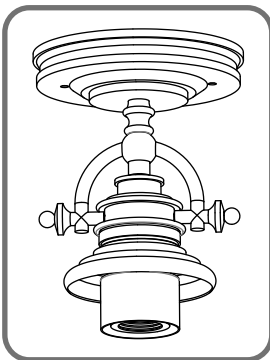
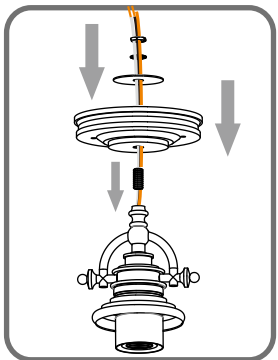
**1**

Remove swivel

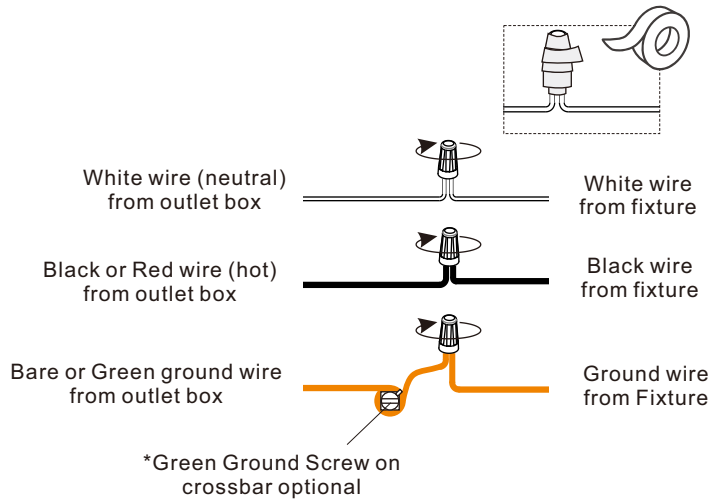


**2**

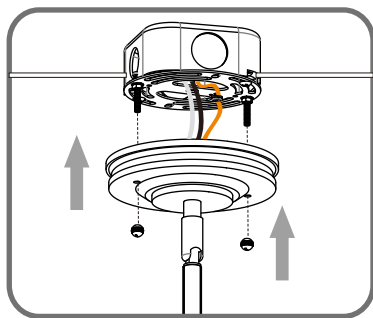
Install ceiling canopy



### STEP 3

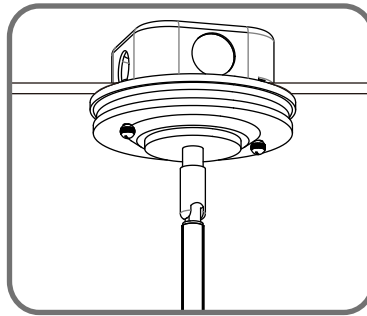


### STEP 4



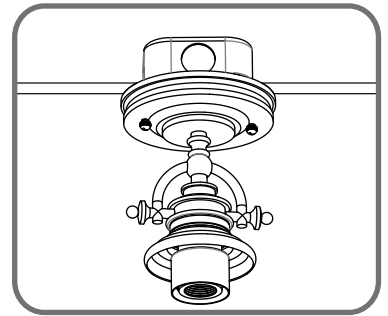
### OPTION 1

GRTS2814PN



### OPTION 2

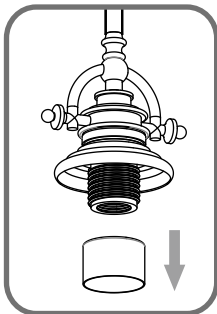
GRTS1714PN



### STEP 5

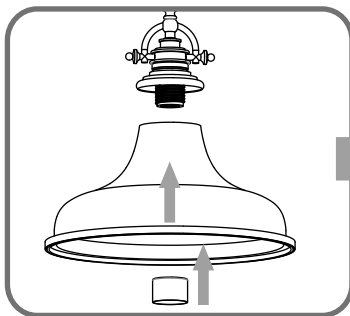
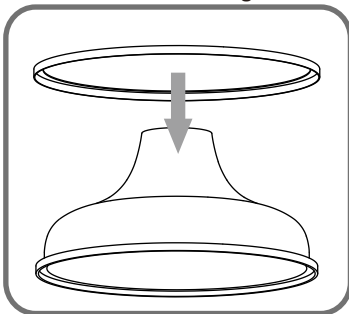
1

Remove socket collar



2

Place the ring

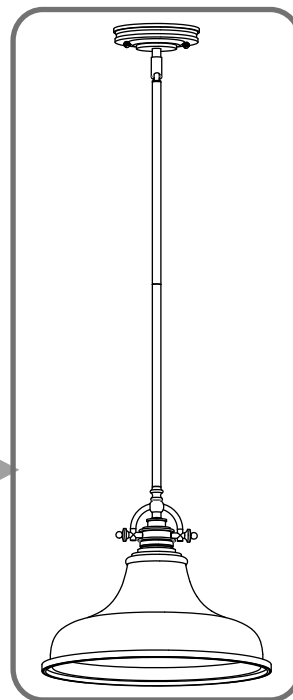


Install shade with ring

3

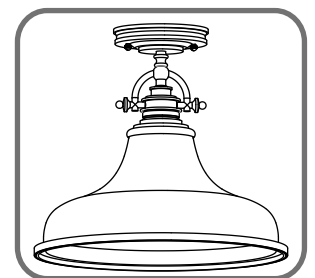
### OPTION 1

GRTS2814PN

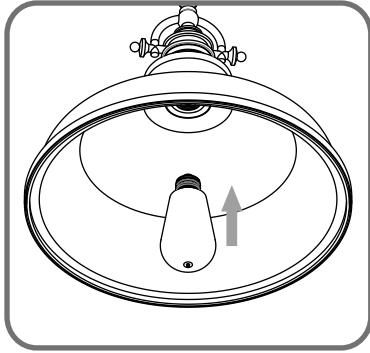


### OPTION 2

GRTS1714PN

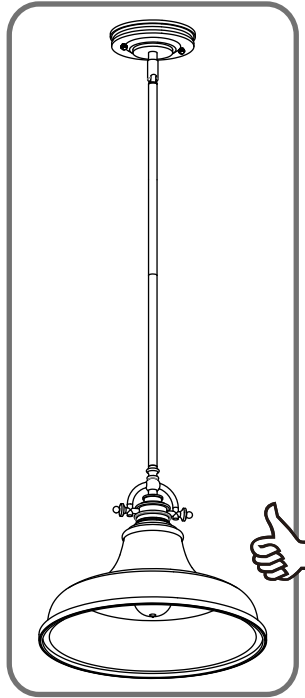


**STEP 6**



**OPTION 1**

GRTS2814PN



**OPTION 2**

GRTS1714PN

