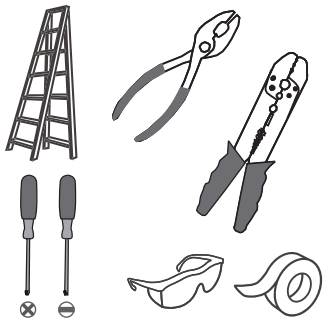
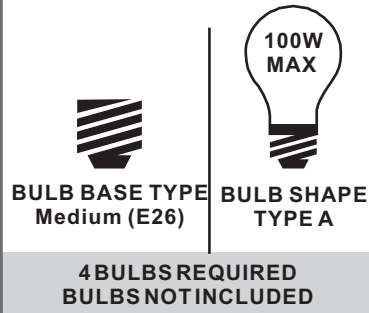


**Tools Required**



**Light Source**



**Warnings and Cautions**

Turn off the electricity at the circuit breaker before installation. Consult a licensed electrician if in doubt about installation.

Turn off power to the fixture and allow the bulbs to cool before replacing.

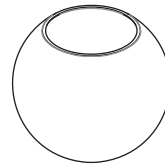
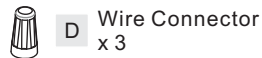
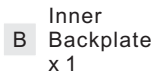
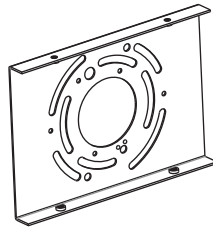
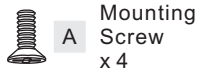
**Package Contents**

**Preparation:** Identify and inspect all parts before beginning the installation.

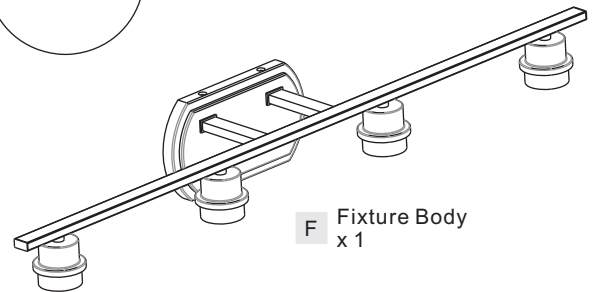
Missing or damaged parts? Contact your original place of purchase.

**Note:** Shade shape is for illustration purpose only. Your shade shape may vary from illustration.

**PARTS BAG**



E Shade (Varies according to style purchased) x 4

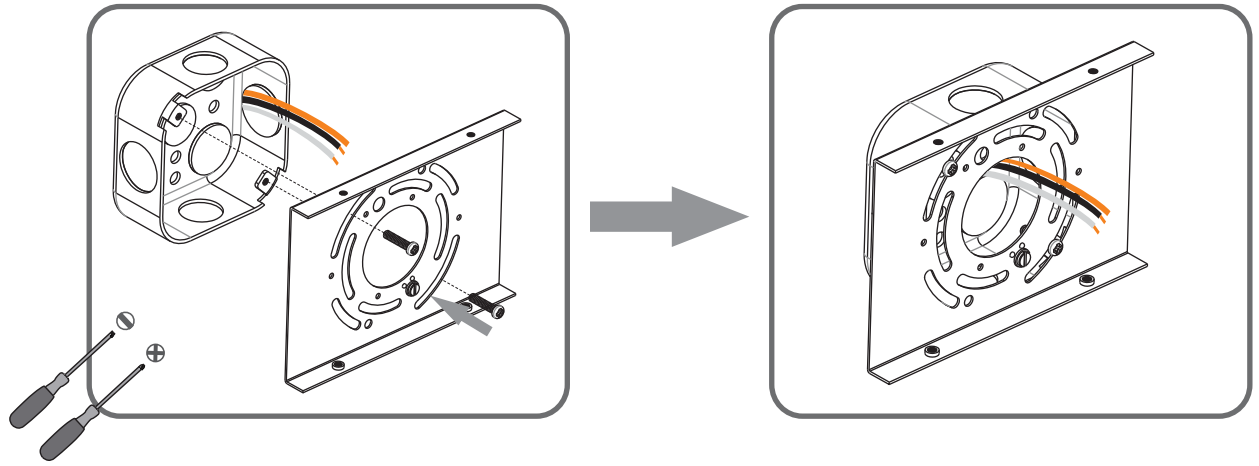


F Fixture Body x 1

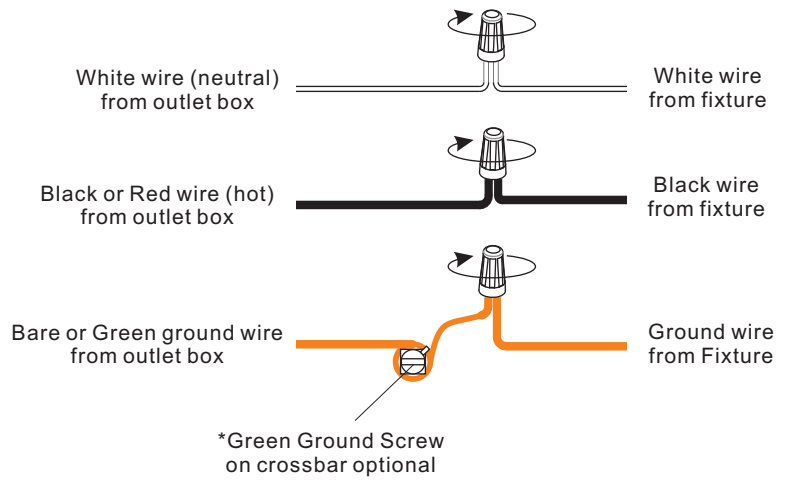
**Table of Contents**

Inner Backplate	Wiring	Fixture Body	Shade & Bulb
STEP 1	STEP 2	STEP 3	STEP 4

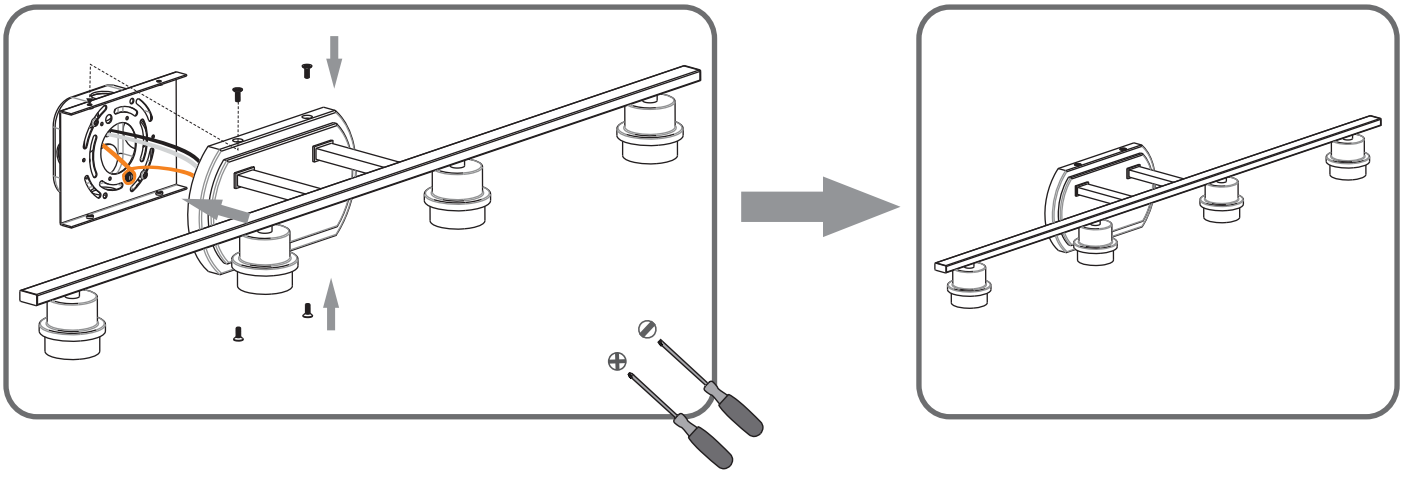
### STEP 1



### STEP 2

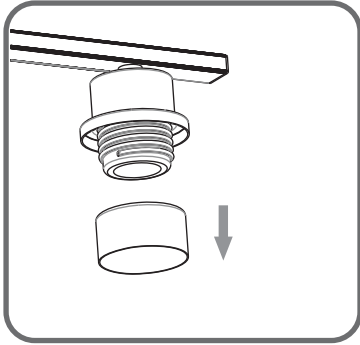


### STEP 3



**STEP 4**

**1**



**2**

**Note: Shade shape is for illustration purpose only. Your shade shape may vary from illustration.**

