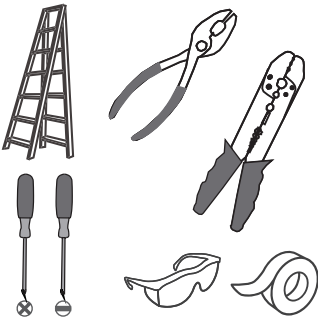
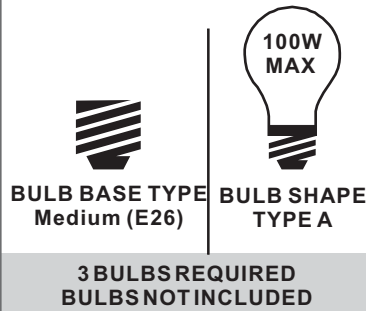


Tools Required



Light Source



Warnings and Cautions

Turn off the electricity at the circuit breaker before installation. Consult a licensed electrician if in doubt about installation.

Turn off power to the fixture and allow the bulbs to cool before replacing.

Package Contents

Preparation: Identify and inspect all parts before beginning the installation.

Missing or damaged parts? Contact your original place of purchase.

PARTS BAG

A Mounting Screw
x 2

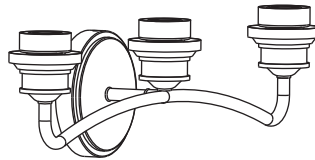


B Inner Backplate
x 1

C Outlet Box Screw
x 2



D Wire Connector
x 3



E Fixture Body
x 1

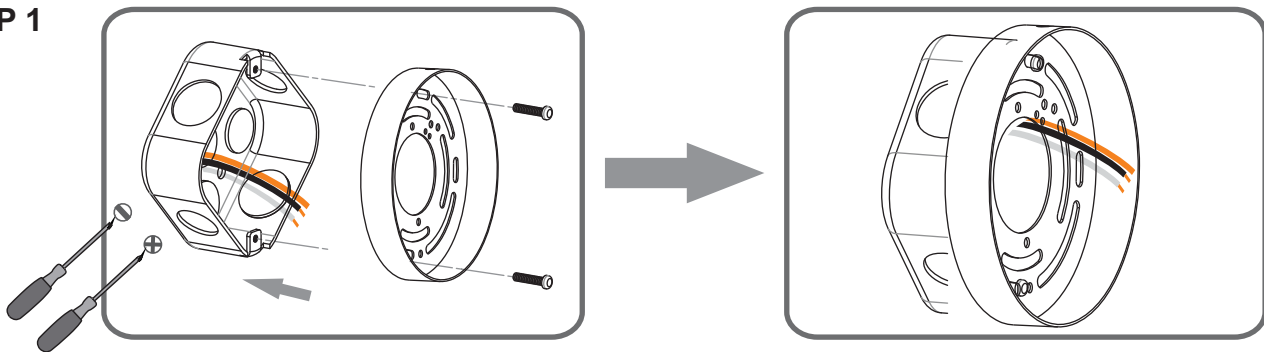


F Glass Shade
x 3

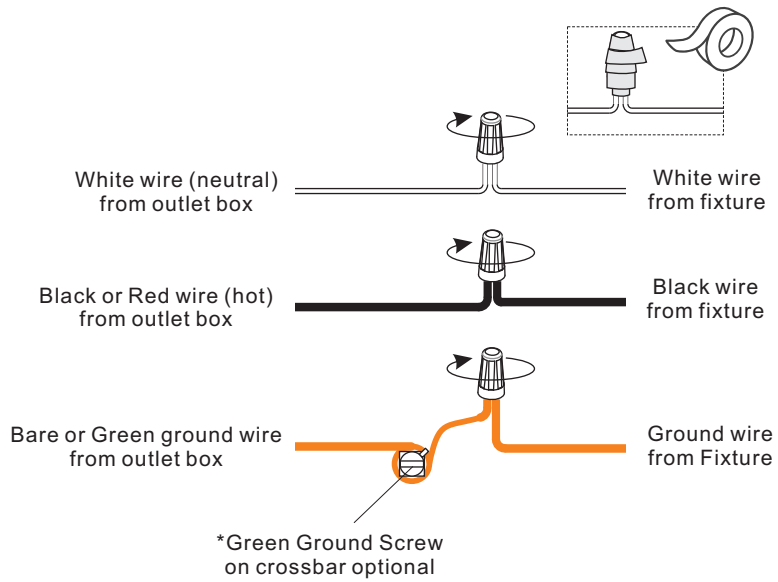
Table of Contents

Inner Backplate	Wiring	Fixture Body	Shade & Bulb
STEP 1	STEP 2	STEP 3	STEP 4

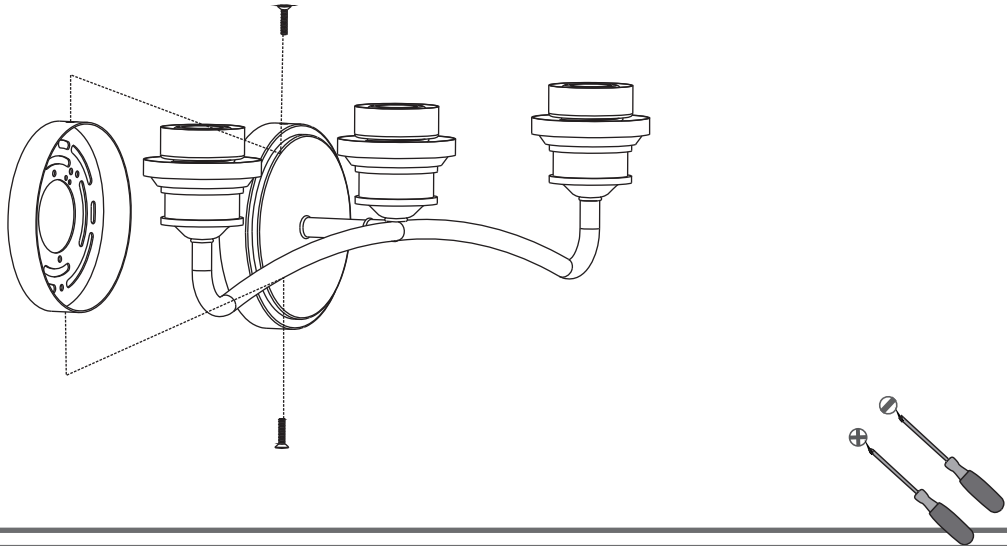
STEP 1



STEP 2



STEP 3



STEP 4

