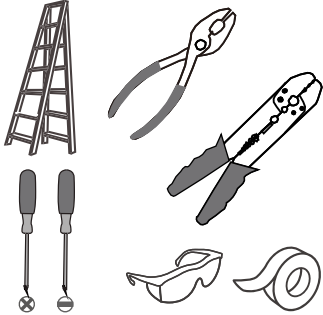
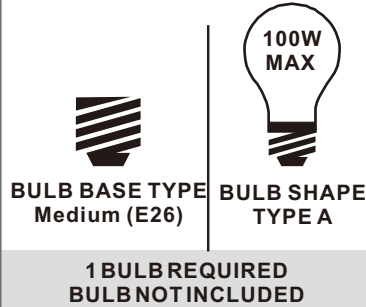


Tools Required



Light Source



Warnings and Cautions

Turn off the electricity at the circuit breaker before installation. Consult a licensed electrician if in doubt about installation.

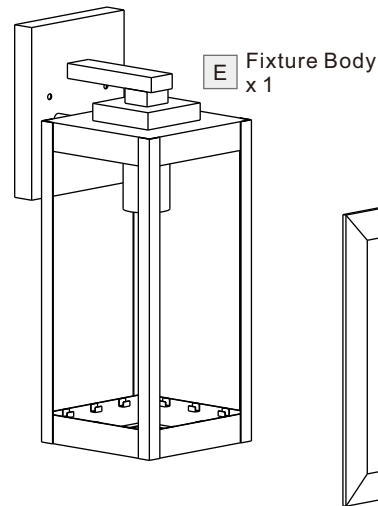
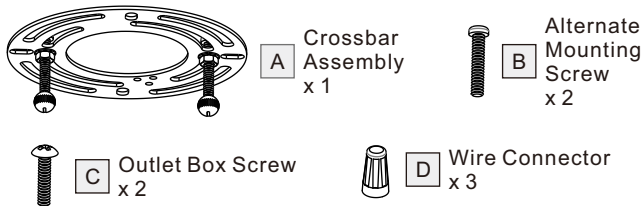
Turn off power to the fixture and allow the bulbs to cool before replacing.

Package Contents

Preparation: Identify and inspect all parts before beginning the installation.

Missing or damaged parts? Contact your original place of purchase.

PARTS BAG



F Glass Panel x 4

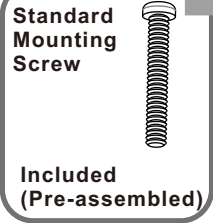
Glass panels may be different than pictured based on which item was purchased.

Table of Contents

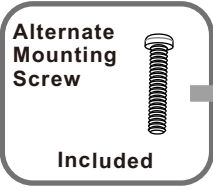
Alternate Mounting Screw	Crossbar Assembly	Glass Panel	Wiring	Fixture Body	Bulb	Caulk
STEP 1	STEP 2	STEP 3	STEP 4	STEP 5	STEP 6	STEP 7

STEP 1

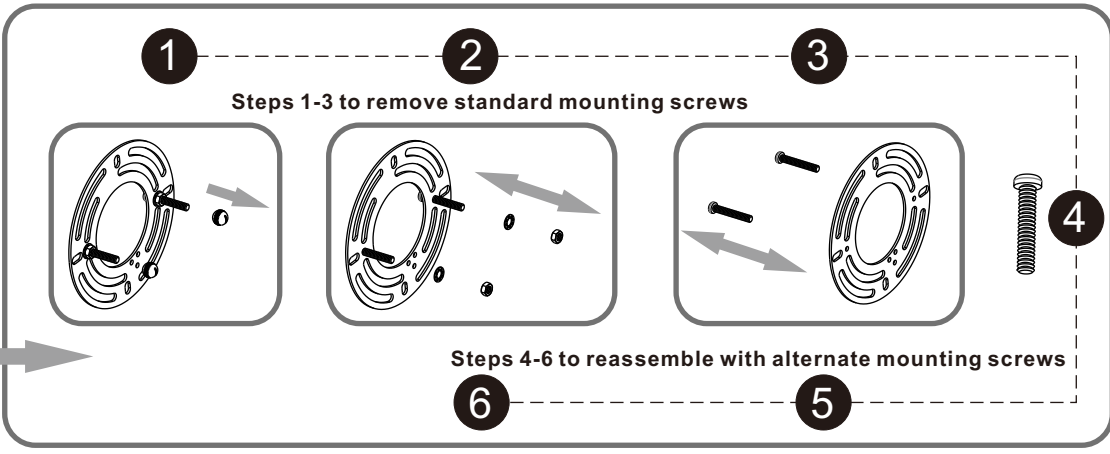
OPTION 1



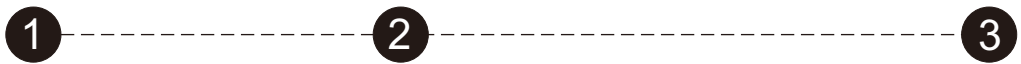
OPTION 2



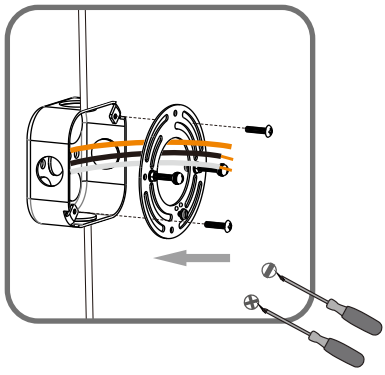
skip to next page



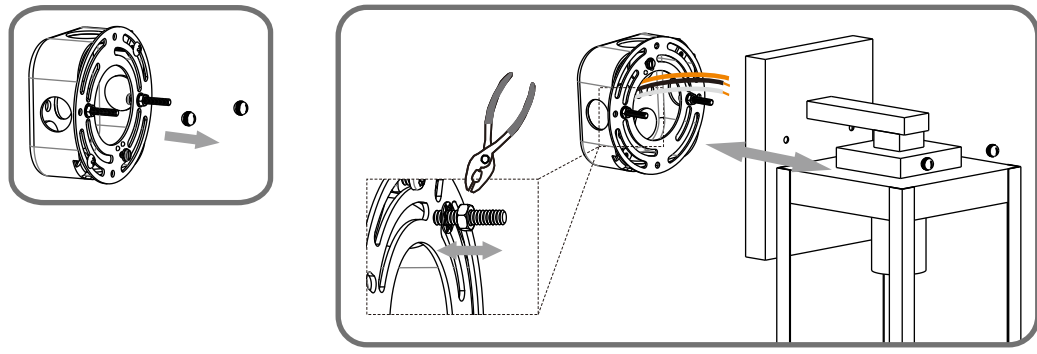
STEP 2



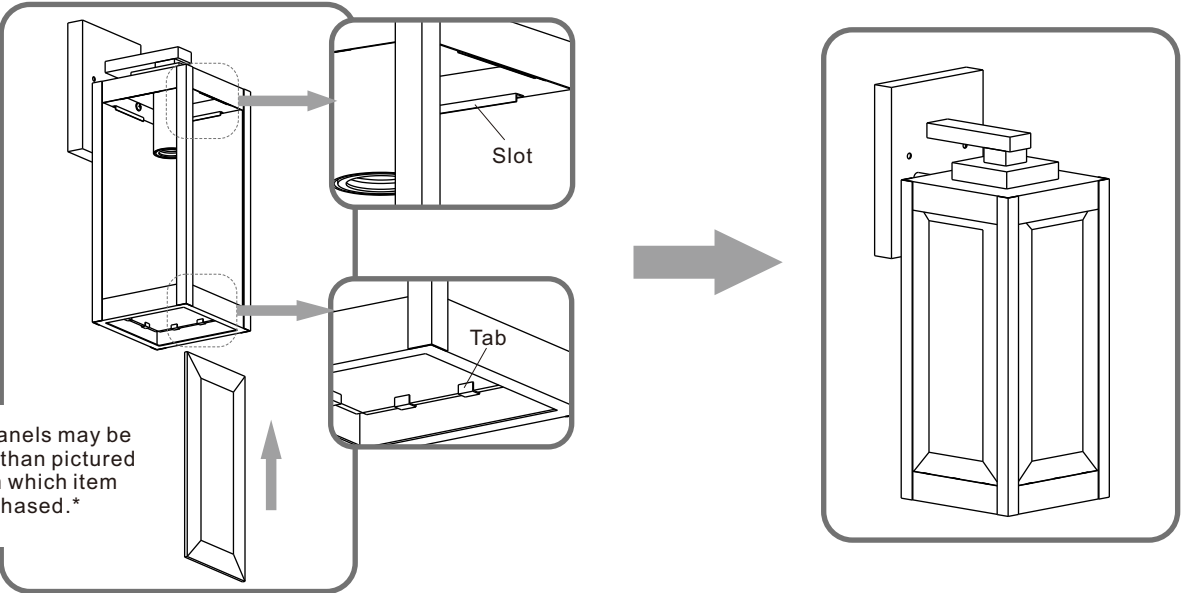
Step 1
Install crossbar assembly



Step 2 - 3
Test fitting backplate to mounting screws

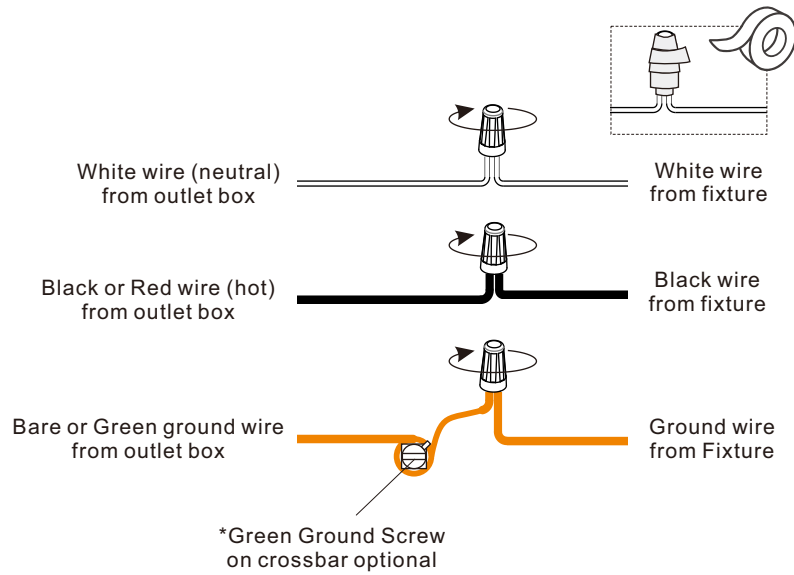


STEP 3

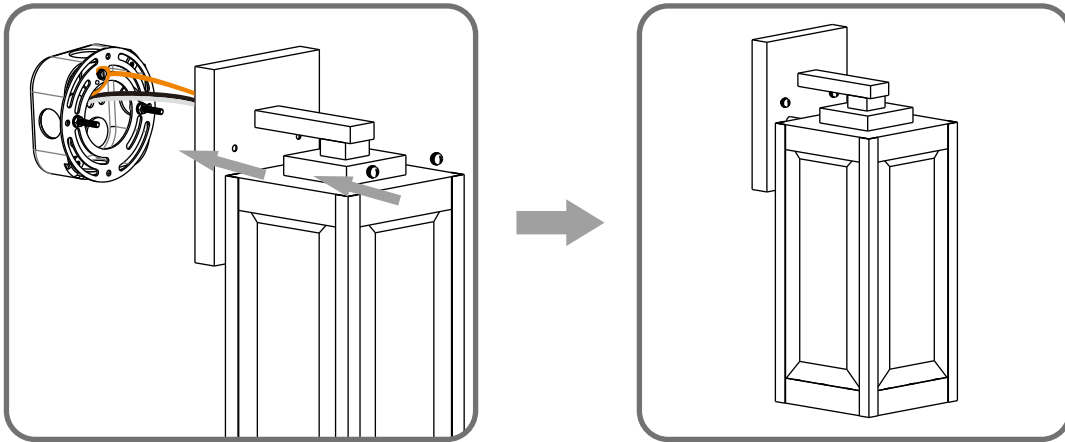


Glass panels may be different than pictured based on which item was purchased.

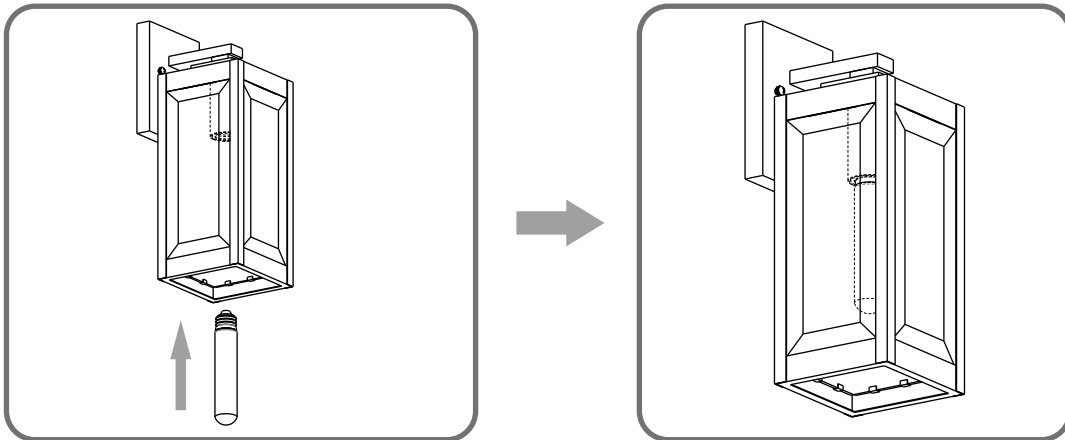
STEP 4



STEP 5



STEP 6



STEP 7

