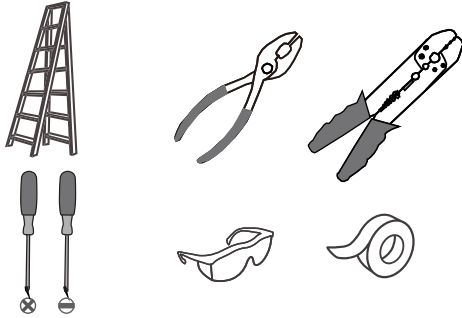
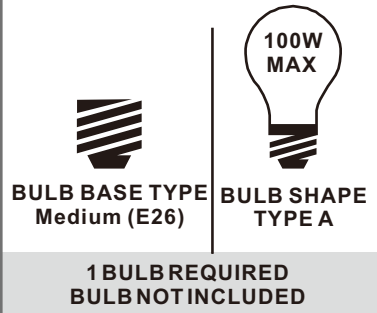


**Tools Required**



**Light Source**



**Fixture Height Adjustable  
15.5" to 51.5"**

**⚠ Warnings and Cautions**

Turn off the electricity at the circuit breaker before installation. Consult a licensed electrician if in doubt about installation.

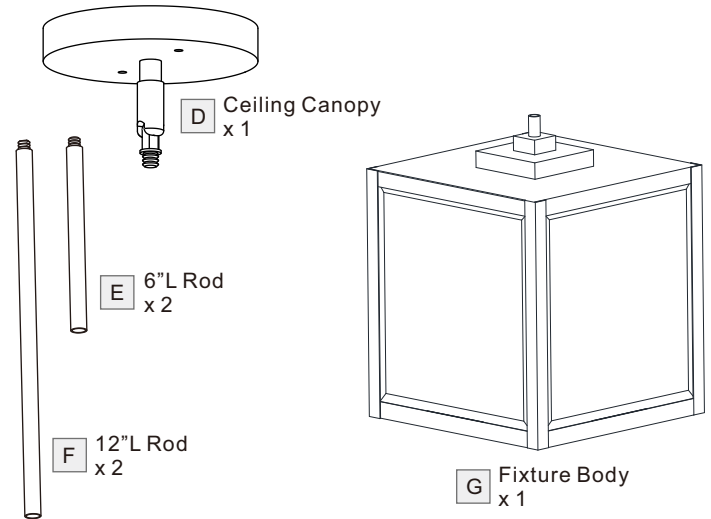
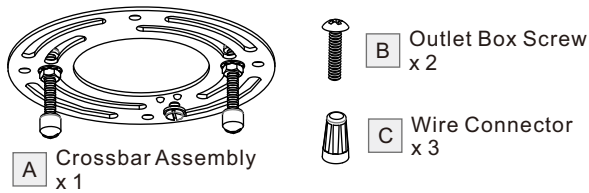
Turn off power to the fixture and allow the bulbs to cool before replacing.

**Package Contents**

**Preparation:** Identify and inspect all parts before beginning the installation.

Missing or damaged parts? Contact your original place of purchase.

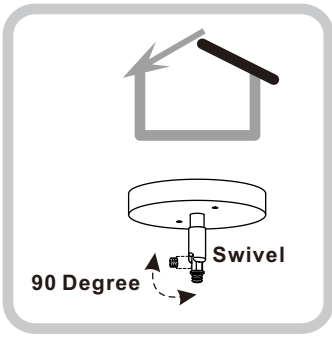
**PARTS BAG**



**Table of Contents**

Crossbar Assembly	Downrod	Wiring	Ceiling Canopy	Bulb
STEP 1	STEP 2	STEP 3	STEP 4	STEP 5

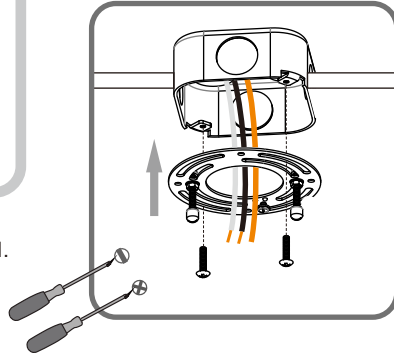
## STEP 1



For angled ceilings,  
Swivel opening towards wall.

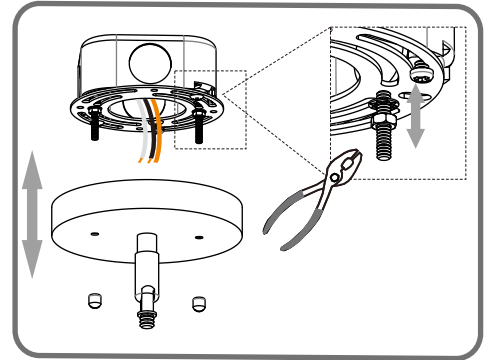
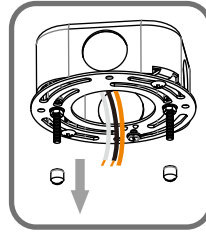
1

Step 1  
Install crossbar assembly



2

Step 2 - 3  
Test fitting ceiling canopy to  
mounting screws



## STEP 2

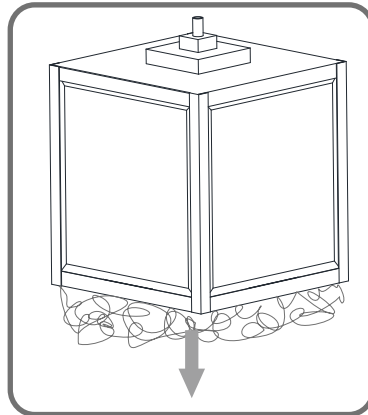
### Optional Rods

- 8' ceiling:  
(1) 6"L + (1) 12"L rod
- 9' ceiling:  
(1) 6"L + (2) 12"L rods
- 10' ceiling:  
(2) 6"L + (2) 12"L rods



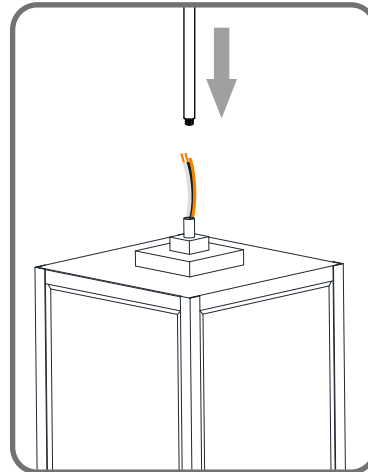
1

Remove paper inside  
of the cage



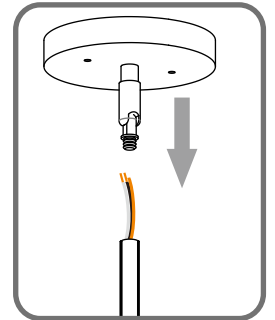
1

Install rod to fixture body

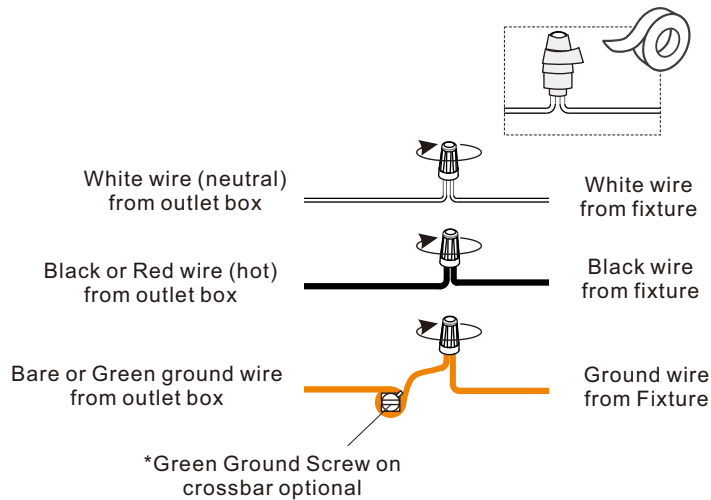


2

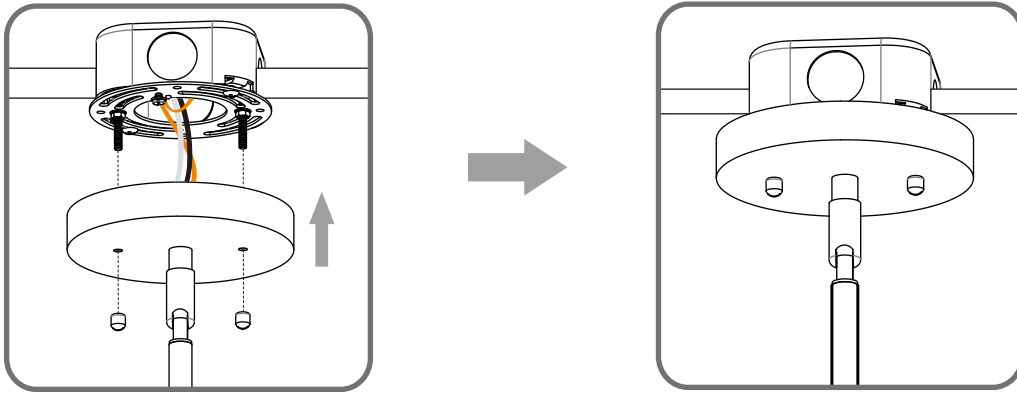
Install ceiling canopy  
to upper rod



## STEP 3



**STEP 4**



**STEP 5**

