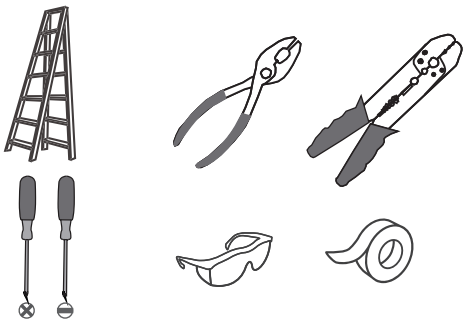
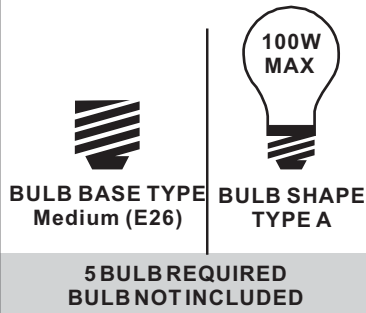


Tools Required



Light Source



Fixture Height Adjustable 18" to 48"

Warnings and Cautions

Turn off the electricity at the circuit breaker before installation. Consult a licensed electrician if in doubt about installation.

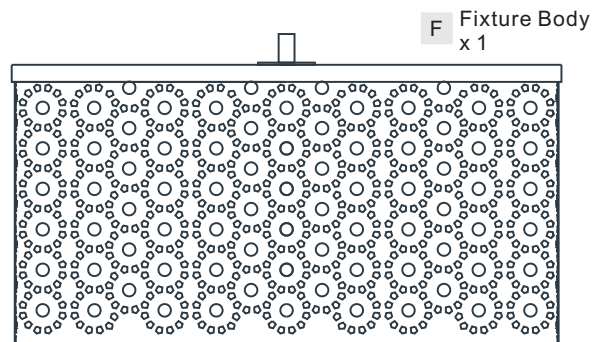
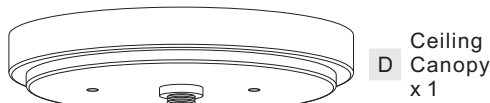
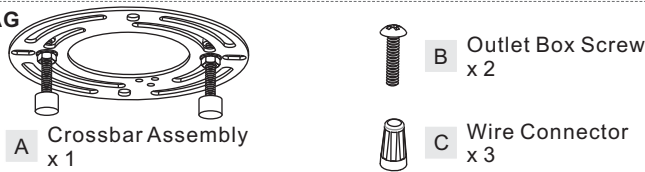
Turn off power to the fixture and allow the bulbs to cool before replacing.

Package Contents

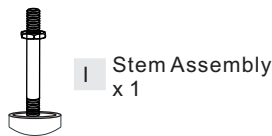
Preparation: Identify and inspect all parts before beginning the installation.

Missing or damaged parts? Contact your original place of purchase.

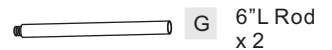
PARTS BAG



I Diffuser x 1



I Stem Assembly x 1



G 6" L Rod x 2

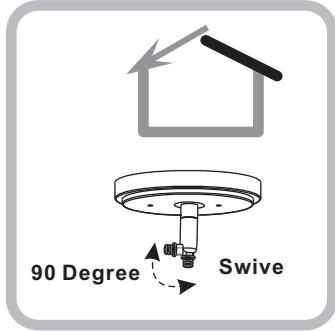


H 12" L Rod x 2

Table of Contents

Crossbar Assembly	Downrod	Lanyard	Wiring	Ceiling Canopy	Bulb and Diffuser
STEP 1	STEP 2	STEP 3	STEP 4	STEP 5	STEP 6

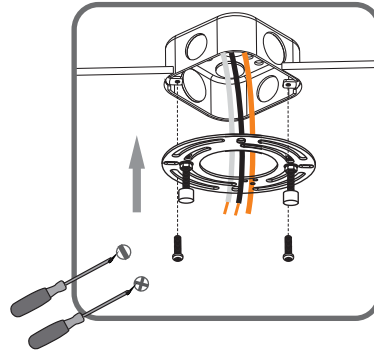
STEP 1



For angled ceilings,
Swivel opening towards wall.

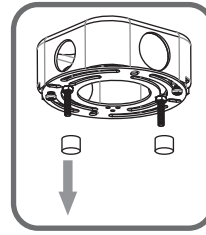
1

Step 1
Install crossbar assembly

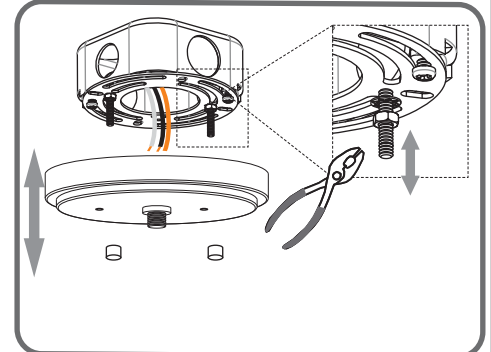


2

Step 2 - 3
Test fitting ceiling canopy to
mounting screws

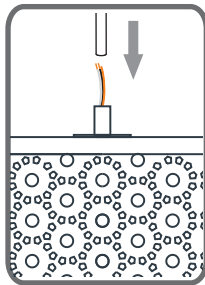


3

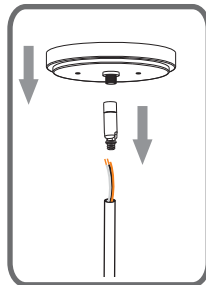


STEP 2

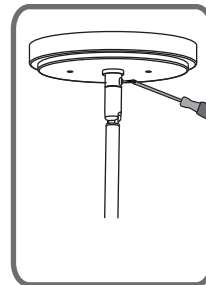
1



2

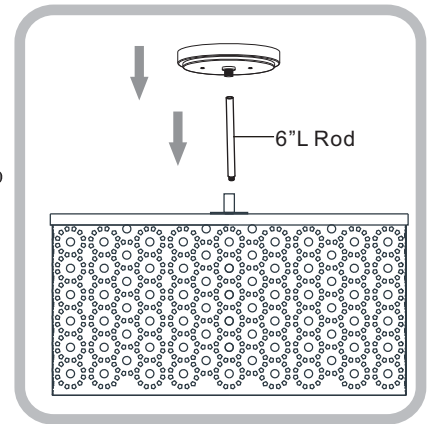
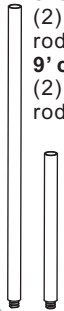


3



Optional Rods

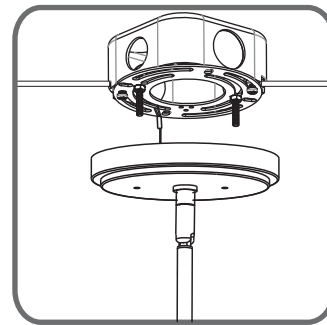
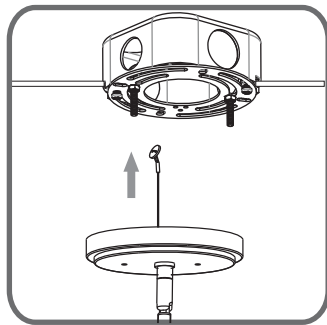
8' ceiling:
(2) 6" L + (1) 12" L
rods
9' ceiling:
(2) 6" L + (2) 12" L
rods



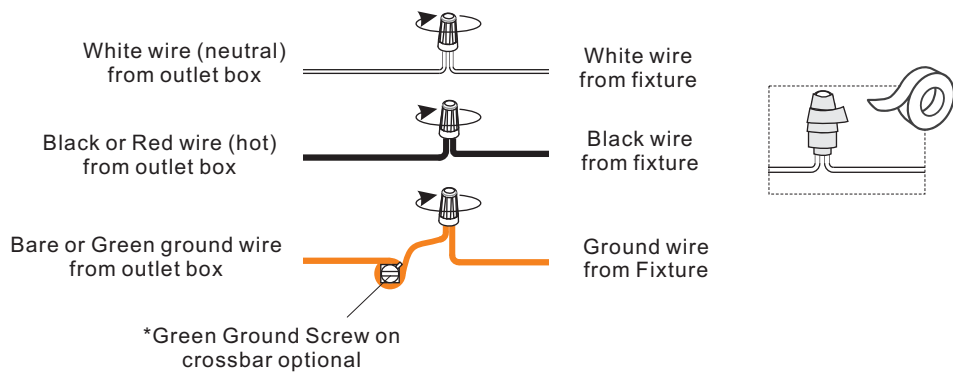
OPTION 1

OPTION 2

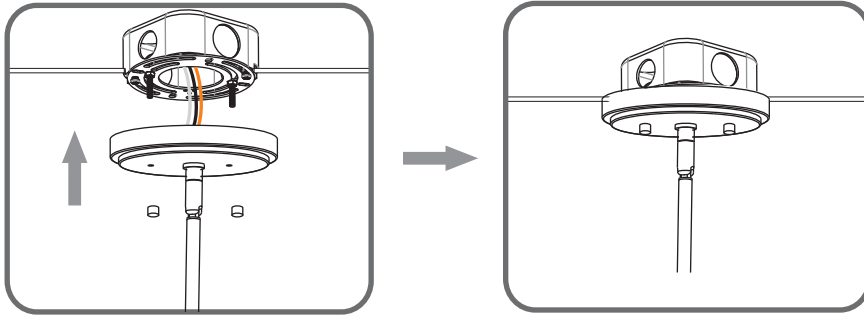
STEP 3



STEP 4



STEP 5



STEP 6

