

Please go to www.quoizel.com for product cleaning tips. Go to the **Care + Maintenance** selection.

Tools Required: Flathead screwdriver, Phillips screwdriver, pliers, wire cutters, wire strippers, electrical tape, safety glasses.

Light Source: (1) A19 Medium Base Bulb 100W Maximum.

Estimated Assembly Time: 30-45 minutes

Preparation: Identify and inspect all parts before beginning installation. Check package content list and diagrams below to be sure all parts are present. If any parts are missing or damaged, do not attempt to assemble, install, or operate the fixture. Contact customer service for replacement parts.

Note: This CONVERTIBLE fixture can be mounted as pendant light or semi-flush light. Refer to respective installation steps for installations.

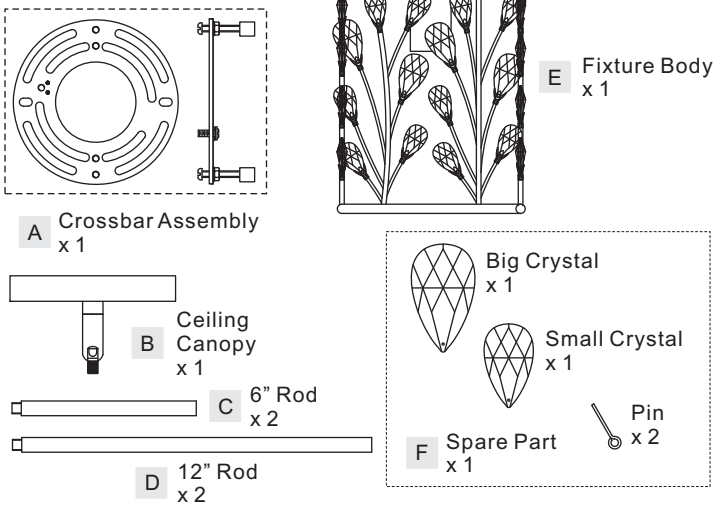
⚠ Warnings and Cautions

Turn off electricity at circuit breaker or main fuse box before installation. Consult a licensed electrician if in doubt.

These instructions are provided for your safety. It is very important you read them completely before installing the fixture. We strongly recommend that a licensed, professional electrician perform the installation.

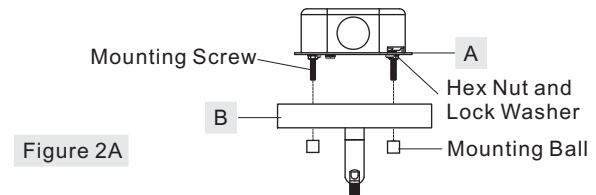
Disconnect fixture from power source before replacing bulbs. Make sure bulbs are given sufficient time to cool before removal.

Package Contents



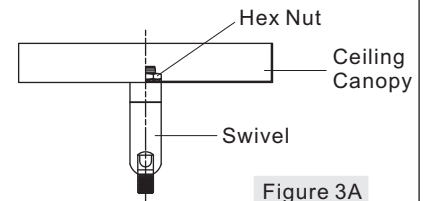
(Step 2A Continued)

mounting balls. Note: The ceiling canopy should be snug against the ceiling and the mounting balls. If not, adjust the length of the nipple on the Crossbar Assembly (A) by unscrewing the preassembled hex nut and lock washer and then screwing the mounting screws in or out of the crossbar until the correct length is achieved. Once the Ceiling Canopy (B) is secure, remove the mounting ball and Ceiling Canopy (B) and proceed to Step 3A.



STEP 3A - Tighten the Swivel to Ceiling Canopy

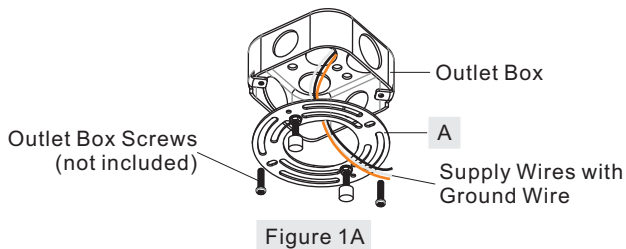
A. By using pliers, tight the hex nut inside of the ceiling canopy until snug to secure the swivel to the ceiling canopy.



Assembly Instructions for Pendant Light (Step 1A - Step 7A)

STEP 1A - Installing the Crossbar Assembly

A. Pass the supply wires from outlet box through the Crossbar Assembly (A). Attach the Crossbar Assembly (A) to the Outlet Box with the head of the Green Ground Screw facing you. Secure the Crossbar Assembly (A) with Outlet Box Screws (not included). Tighten until snug.



STEP 2A - Test Fitting Ceiling Canopy to Crossbar Assembly

A. Remove mounting balls from the Crossbar Assembly (A). Fit the Ceiling Canopy (B) to the Crossbar Assembly (A) and secure with

STEP 4A - Assemble Rods and the Ceiling Canopy to Fixture Body

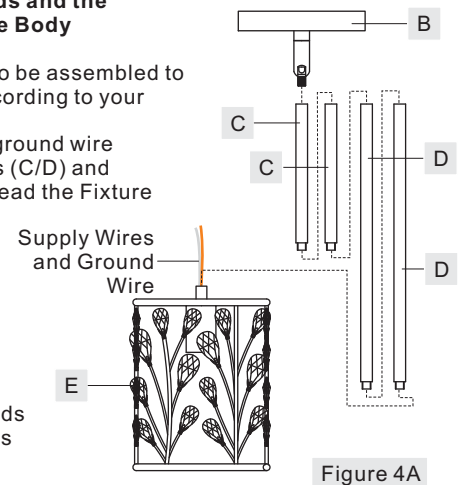
A. Determine Rods (C/D) to be assembled to the Fixture Body (E) according to your hanging height.

C. Pass supply wires and ground wire through the chosen rods (C/D) and Ceiling Canopy (B). Thread the Fixture Body (E), the chosen Rods (C/D) and the Ceiling Canopy (B) together. Hand tighten until snug.

Suggested rods for Ceiling height :

8' ceiling : use (2) 12" rods

9' ceiling : use (2) 6" rods and (2) 12" rods



Thank you for purchasing a Quoizel product.
Need assistance with parts or assembly? Call Quoizel customer service at 1-800-645-3184 or visit us on-line at www.quoizel.com

STEP 5A - Wire Connections

A. Use standard wire connectors (not included) to make all wire connections. Twist connectors until wires are tightly joined together. Wrap each connection with approved electrical tape and carefully stuff all the connected wires into the Outlet Box.

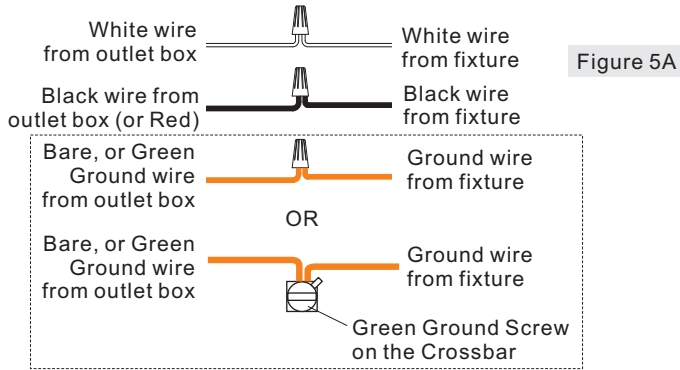


Figure 5A

STEP 6A - Install Fixture to Ceiling

A. Carefully tuck all wires into the outlet box and position the Ceiling Canopy (B) over the outlet box. Align the holes in the ceiling canopy with the mounting screws, then attach the Ceiling Canopy (B) using the previously removed mounting balls. Hand tighten until snug.

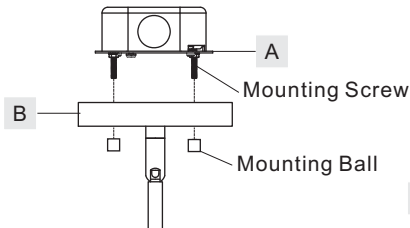


Figure 6A

STEP 7A - Install Bulb

A. Insert the bulb onto socket and screw snugly into place.

Your fixture is now assembled and ready to use. Enjoy!

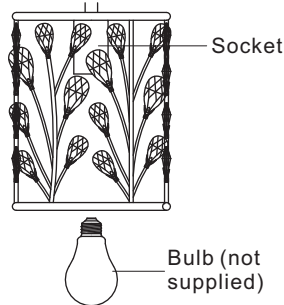
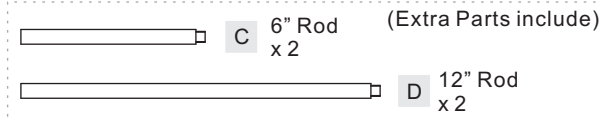


Figure 7A

Assembly Instructions for Semi-flush Light (Step 1B - Step 6B)

Part C, Part D will not be used in the assembly of the Semi-Flush Light fixture. Please set aside these parts.



STEP 1B - Installing the Crossbar Assembly

A. Pass the supply wires from outlet box through the Crossbar Assembly (A). Attach the Crossbar Assembly (A) to the

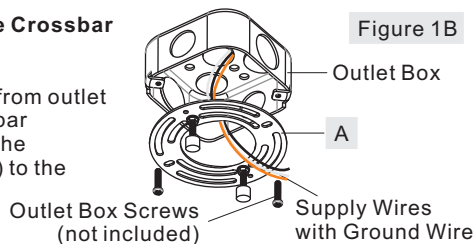


Figure 1B

(Step 1B Continued)

Outlet Box with the head of the Green Ground Screw facing you. Secure the Crossbar Assembly (A) with Outlet Box Screws (not included). Tighten until snug.

STEP 2B - Test Fitting Ceiling Canopy to Crossbar Assembly

A. Remove mounting balls from the Crossbar Assembly (A). Fit the Ceiling Canopy (B) to the Crossbar Assembly (A) and secure with mounting balls. Note: The ceiling canopy should be snug against the ceiling and the mounting balls. If not, adjust the length of the nipple on the Crossbar Assembly (A) by unscrewing the preassembled hex nut and lock washer and then screwing the mounting screws in or out of the crossbar until the correct length is achieved. Once the Ceiling Canopy (B) is secure, remove the mounting ball and Ceiling Canopy (B) and proceed to Step 3B.

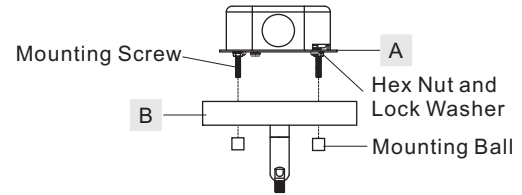


Figure 2B

STEP 3B - Install Ceiling Canopy to Fixture Body

A. Unlock the hex nut and remove the swivel from the ceiling canopy. Remove the nipple from the swivel. Pass supply wires with ground wire through the nipple, the ceiling canopy, the lock washer and the hex nut in turn. Thread the nipple into the coupling on the top center of the Fixture Body (E) and hand tighten until snug. Pass the ceiling canopy and lock washer back over the nipple and secure with the previously removed hex nut. Hand tighten until snug with pliers.

B. Optional Swivel: By using pliers, tight the hex nut inside of the ceiling canopy until snug to secure the swivel to the ceiling canopy. Pass supply wires and ground wire through the ceiling canopy and thread the ceiling canopy to the coupling on the top center of the Fixture Body (E). Hand tighten until snug.

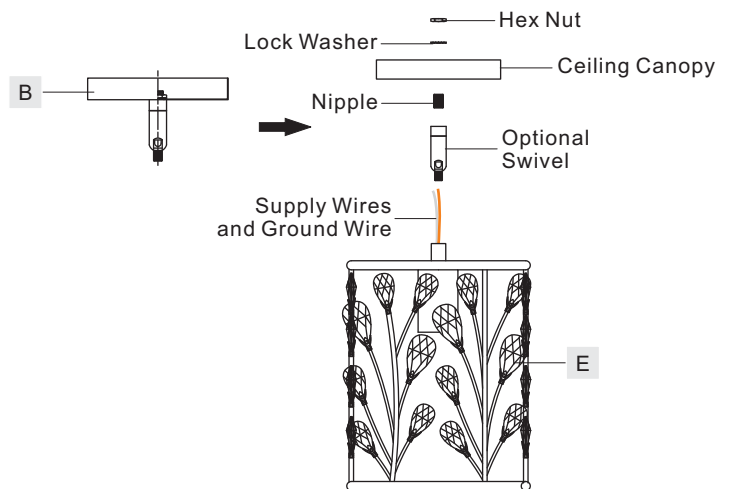


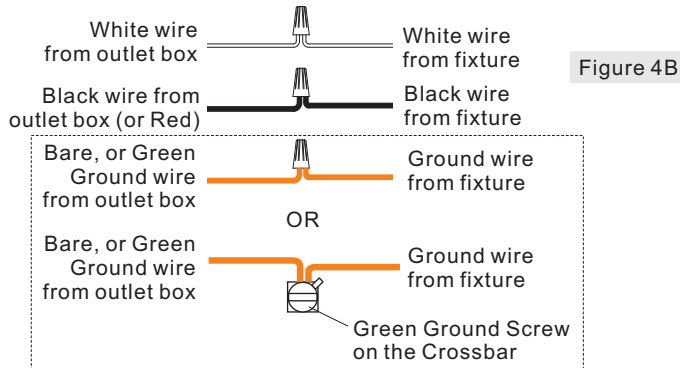
Figure 3B

Thank you for purchasing a Quoizel product.

Need assistance with parts or assembly? Call Quoizel customer service at 1-800-645-3184 or visit us on-line at www.quoise.com

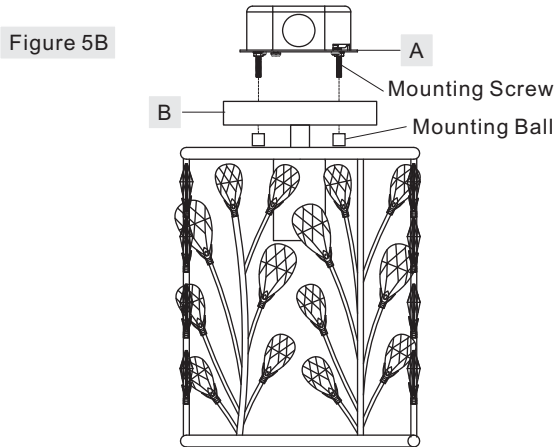
STEP 4B - Wire Connections

A. Use standard wire connectors (not included) to make all wire connections. Twist connectors until wires are tightly joined together. Wrap each connection with approved electrical tape and carefully stuff all the connected wires into the Outlet Box.



STEP 5B - Install Fixture to Ceiling

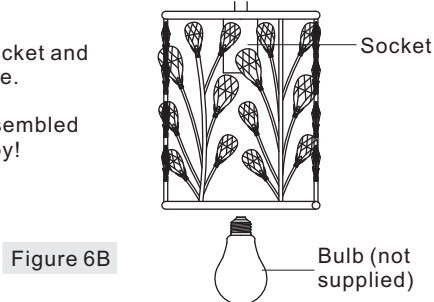
A. Carefully tuck all wires into the outlet box and position the Ceiling Canopy (B) over the outlet box. Align the holes in the ceiling canopy with the mounting screws, then attach the Ceiling Canopy (B) using the previously removed mounting balls. Hand tighten until snug.



STEP 6B - Install Bulb

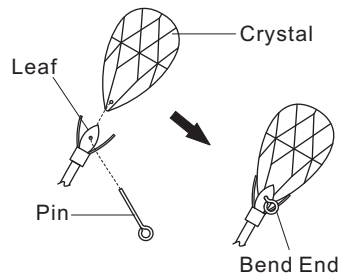
A. Insert the bulb onto socket and screw snugly into place.

Your fixture is now assembled and ready to use. Enjoy!



HOW TO ATTACH CRYSTAL

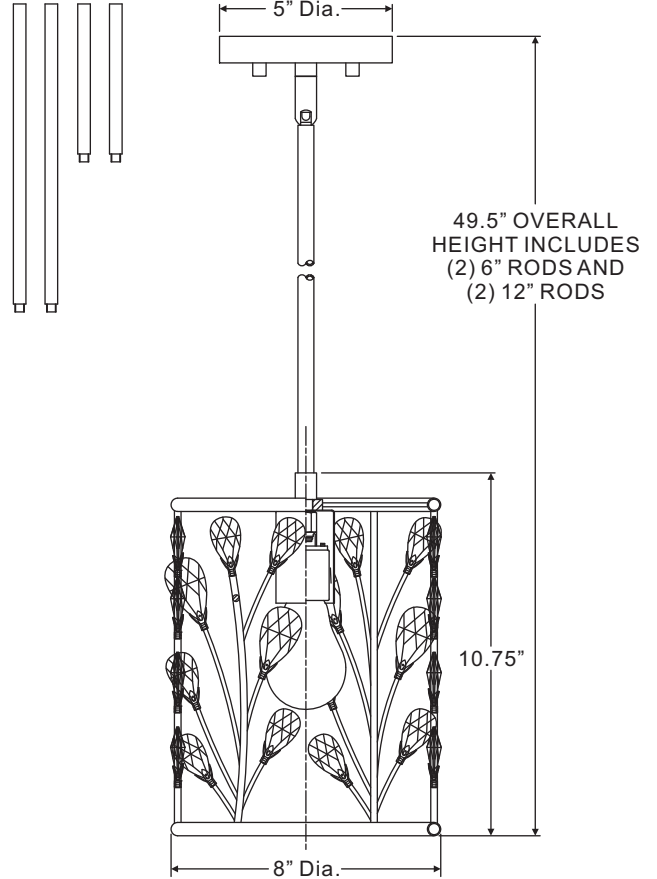
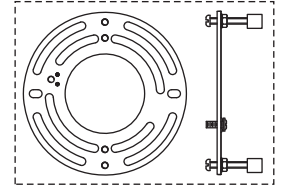
There are two crystals with pins included with the package. If necessary, pass the pin through the holes on the leaves and crystals. Bend the end of the pin extruding from another side of leaves to secure the crystals.



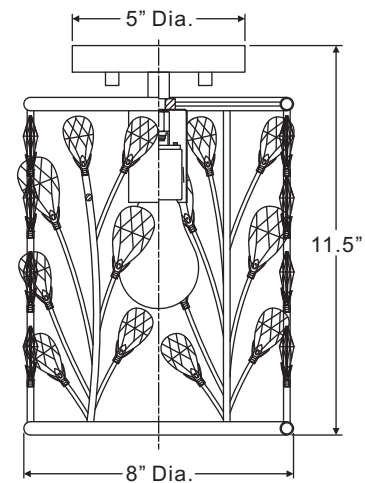
MDL1508VG

FINISH: VINTAGE GOLD

PENDANT LIGHT



SEMI-FLUSH



NOTE: ALL DIMENSIONS ARE ROUNDED UP TO THE NEAREST 1/4"

Thank you for purchasing a Quoizel product.
Need assistance with parts or assembly? Call Quoizel customer service at 1-800-645-3184 or visit us on-line at www.quoizel.com