

**SAFETY INFORMATION**

Please read and understand this entire manual before attempting to assemble, install or operate the product.

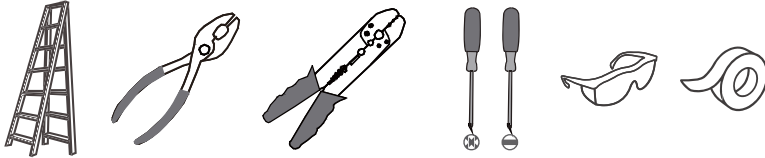
**WARNING**

- RISK OF ELECTRIC SHOCK - Before beginning installation, turn off electricity at the circuit breaker box or the main fuse box.

**CAUTION**

- For your safety, read instructions completely before beginning installation.
- If in doubt about electrical installation, consult a licensed electrician.

**TOOLS REQUIRED**



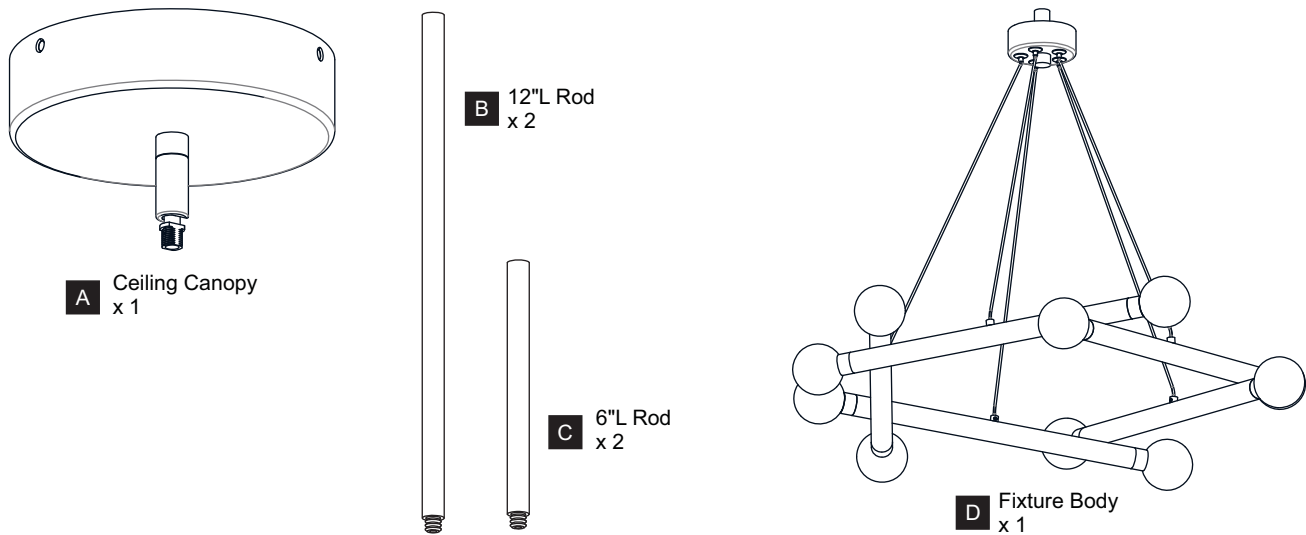
Ratings	120Vac, 60Hz	
	Model No.	Wattage
	PCCYP5023MBK	19W
	PCCYP5023WA	19W

**CARE AND MAINTENANCE**

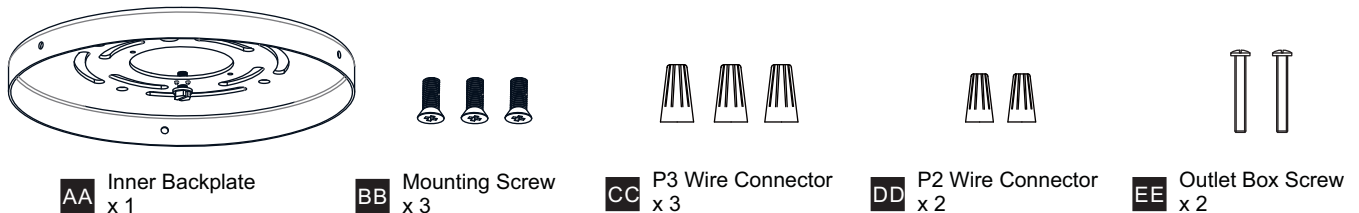
- Wipe clean using soft, dry cloth or static duster. Always avoid using harsh chemicals and abrasives to clean fixture as they may damage the finish.

If you need further assistance call Quozel Customer Care at 1-800-645-3184 (9:00am - 5:00pm EST), or visit us on-line at [www.quezel.com](http://www.quezel.com).

**PACKAGE CONTENTS**



**MOUNTING HARDWARE**

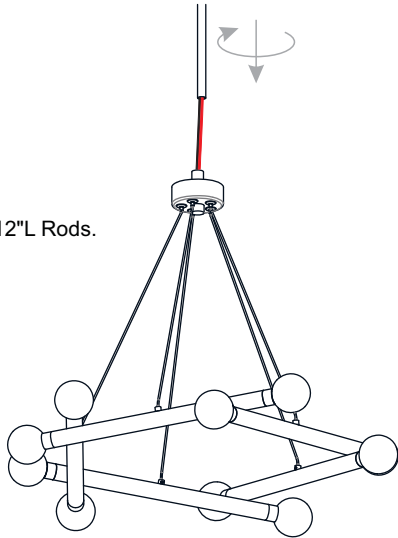


# INSTALLATION

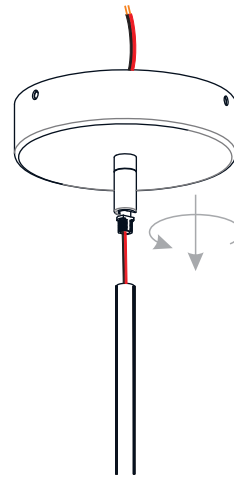
## 1 Install Rods

Optional Rods:

- 8 Feet Ceiling:  
(1) 12"L Rod.
- 9 Feet Ceiling:  
(2) 12"L Rods.
- 10 Feet Ceiling:  
(2) 6"L Rods + (2) 12"L Rods.



## 2 Install Ceiling Canopy Assembly to Upper Rod



## 3 Connect Fixture Wires to Driver

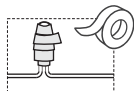
P2 Wire Connector

Red wire from driver

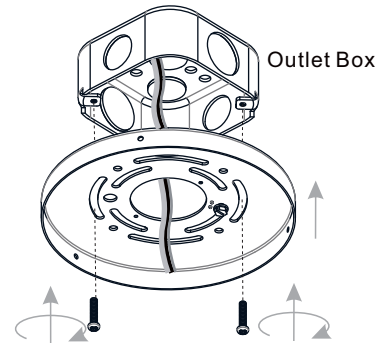
Red wire from fixture

Black wire from driver

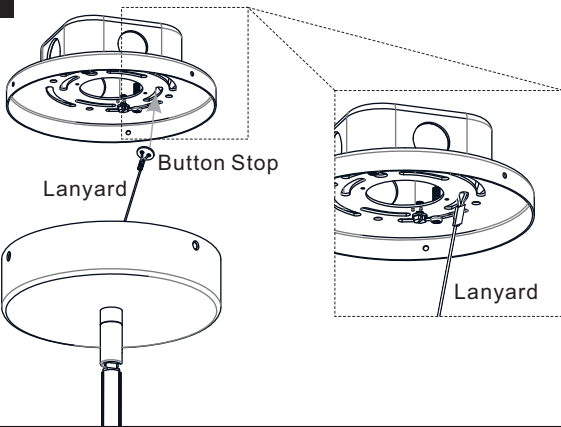
Black wire from fixture



## 4 Install Inner Backplate



## 5 Install Lanyard



## 6 Wiring

P3 Wire Connector

White wire from supply

White from driver

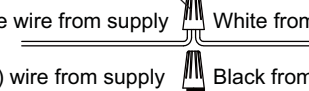
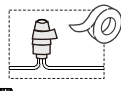
Black (or red) wire from supply

Black from driver

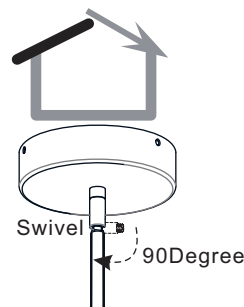
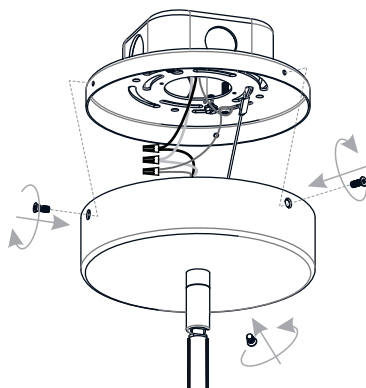
Ground wire from supply

Ground wire from fixture

Green ground screw



## 7 Install Ceiling Canopy to Crossbar



For angled ceilings,  
Swivel opening towards wall.

Your installation is now complete! Restore electricity and save this sheet for future reference.