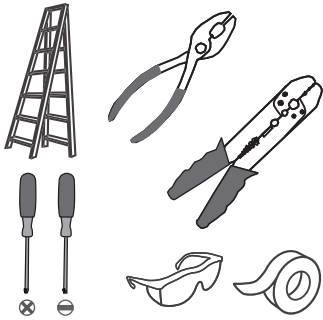
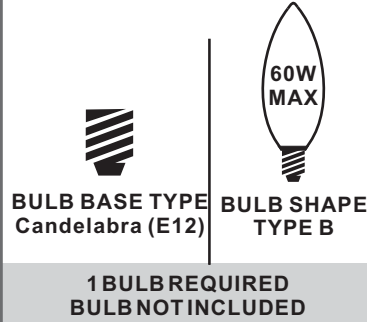


Tools Required



Light Source



Warnings and Cautions

Turn off the electricity at the circuit breaker before installation. Consult a licensed electrician if in doubt about installation.

Turn off power to the fixture and allow the bulbs to cool before replacing.

Package Contents

Preparation: Identify and inspect all parts before beginning the installation.

Missing or damaged parts? Contact your original place of purchase.

PARTS BAG

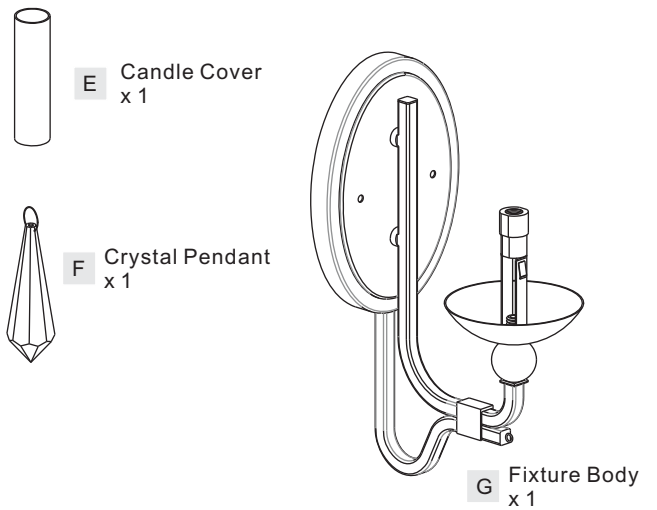
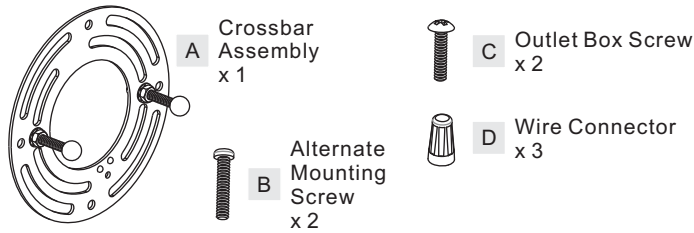


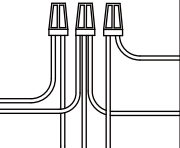
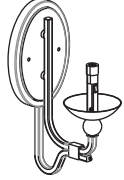

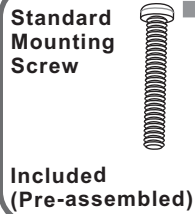


Table of Contents

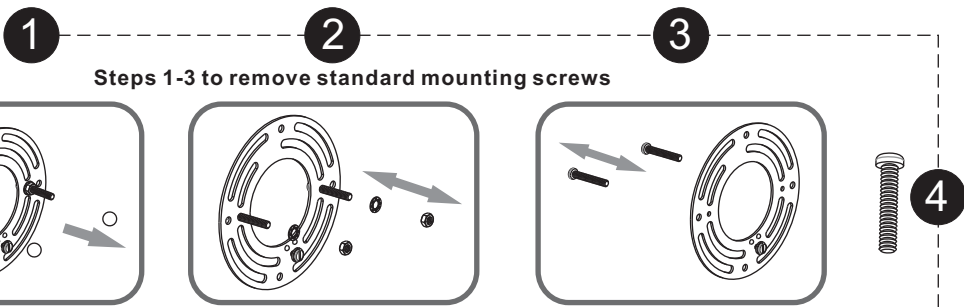
| Alternate Mounting Screw | Crossbar Assembly | Wiring | Fixture Body | Crystal Pendant, Candle Cover & Bulb |
|---|---|---|---|---|
|  |  |  |  |  |
| STEP 1 | STEP 2 | STEP 3 | STEP 4 | STEP 5 |

STEP 1

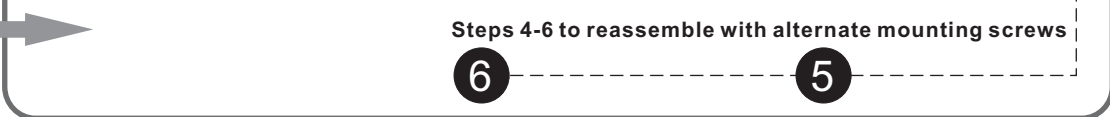
OPTION 1



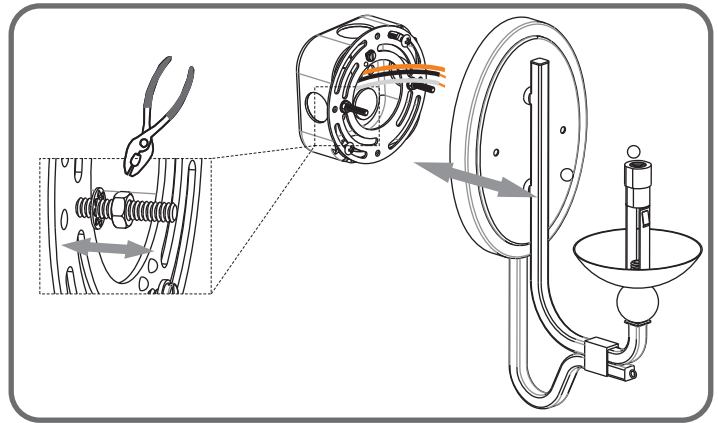
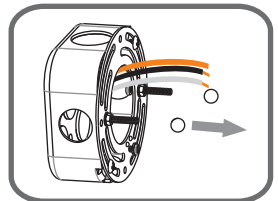
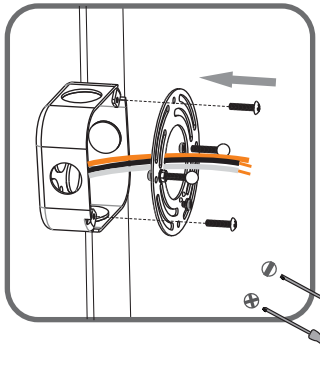
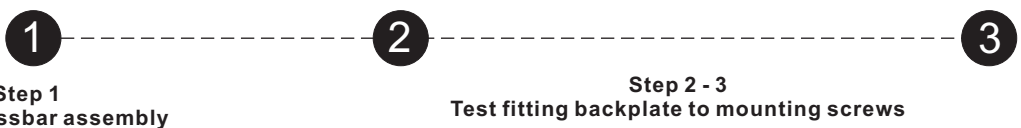
skip to next page



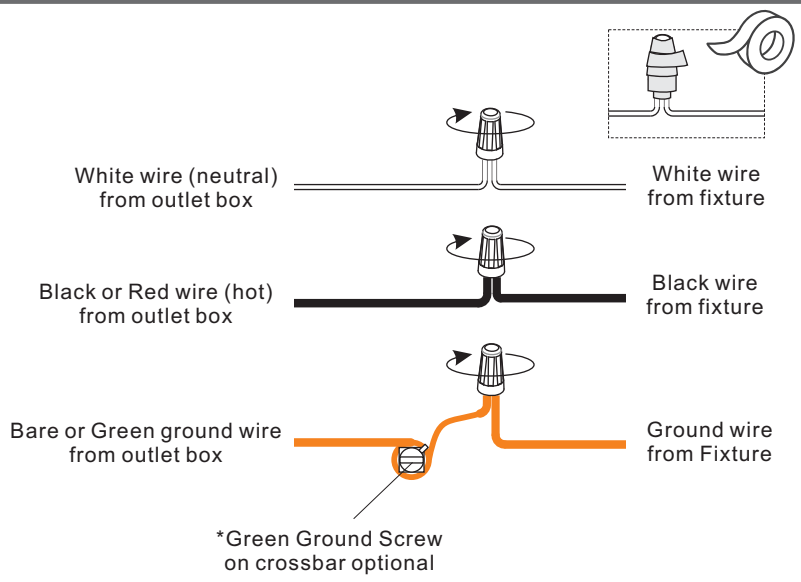
OPTION 2



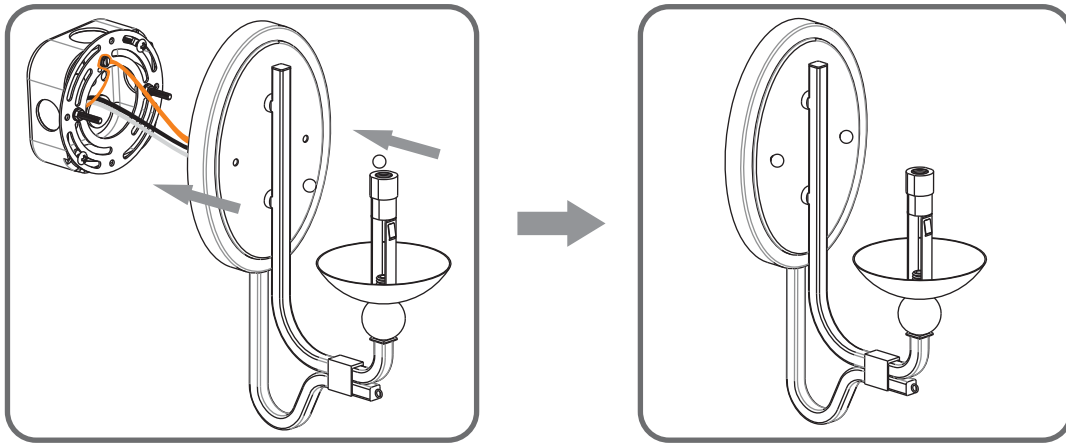
STEP 2



STEP 3



STEP 4



STEP 5

