

# QUOIZEL

6 CORPORATE PARKWAY  
GOOSE CREEK, SC. 29445  
www. quoizel. com

Quoizel, Inc.  
6 Corporate Parkway  
Goose Creek, SC  
29445

Customer Service  
Phone 631.273.2700  
Fax 631.231.7102  
[www. quoizel. com](http://www. quoizel. com)

## Assembly Instruction Sheet #IS-RBN2831C For Style RBN2831C

**Tools Required:** Flathead screwdriver, Phillips screwdriver, pliers, wire cutters, wire strippers, electrical tape, safety glasses.

**Bulb Recommended:** (12)G9 Base frosted G9 Xenon bulb, 40W Maximum

**Estimated Assembly Time:** 20-30 minutes

**Preparation:** Identify and inspect all parts before beginning installation. Check package content list and diagrams below to be sure all parts are present. If any parts are missing or damaged, do not attempt to assemble, install, or operate the fixture. Contact customer service for replacement parts.



### Warnings and Cautions

Turn off electricity at circuit breaker or main fuse box before installation. Consult a licensed electrician if in doubt.

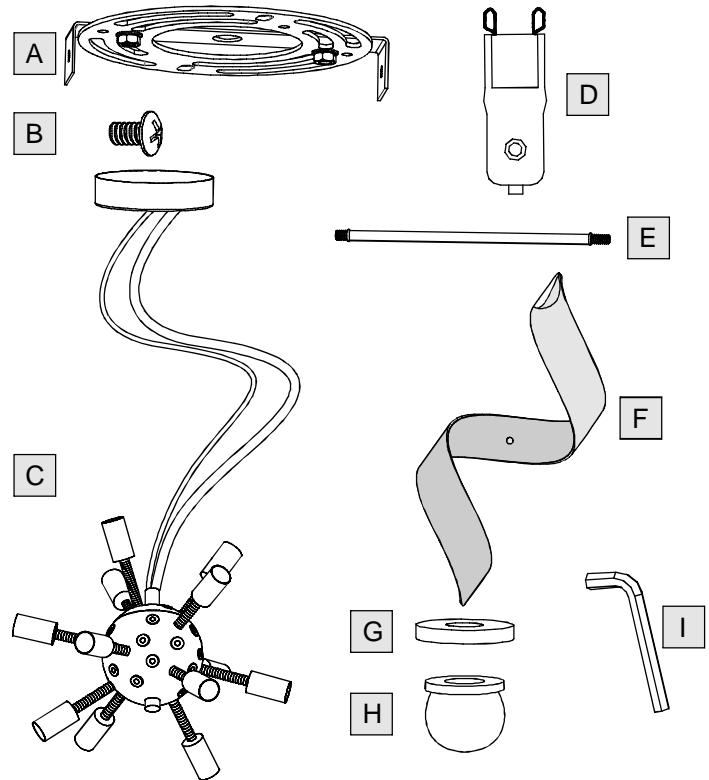
These instructions are provided for your safety. It is very important you read them completely before installing the fixture. We strongly recommend that a licensed, professional electrician perform the installation.

Disconnect fixture from power source before replacing bulbs. Make sure bulbs are given sufficient time to cool before removal. Do not subject glass parts to any shock while in operation or shattering June result.

Do not touch the bulb with bare hands use a cloth or glove.

### Package Contents

Part	Description	Quantity
A	Crossbar	1 pc.
B	Mounting Screw	2 pcs.
C	Fixture Body	1 pc.
D	Bulb	12 pcs.
E	Stem	36 pcs.
F	Trimming	36 pcs.
G	Rubber Washer	72 pcs.
H	Lock Ball	36 pcs.
I	Allen Wrench	1 pc.

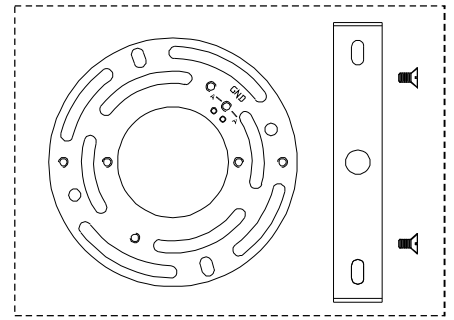


Thank you for purchasing a Quoizel product.

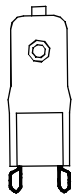
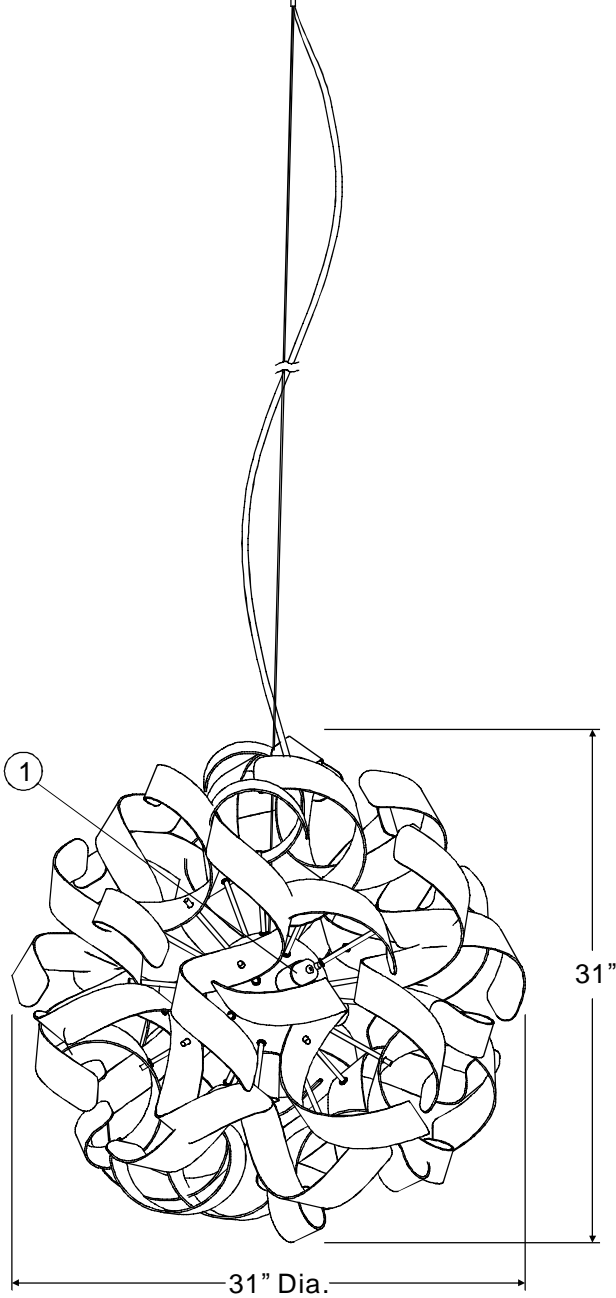
Need assistance with parts or assembly? Call Quoizel customer service at 1-631-273-2700  
or visit us on-line at [www. quoizel. com](http://www. quoizel. com)

RBN2831C

FINISH: POLISHED CHROME



1" → 4.5" Dia. ←



(12) 40W Maximum  
frosted G9 Xenon  
(Supplied)

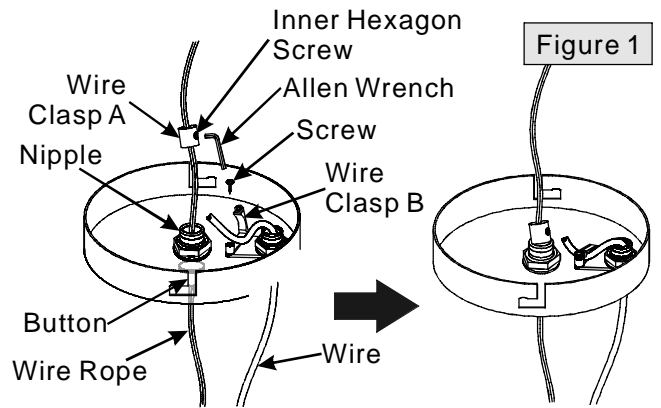
NOTE: ALL DIMENSIONS ARE ROUNDED UP TO THE NEAREST 1/2"

NO.	PART NUMBER	REPLACEMENT PART DESCRIPTION	REQ.
1	I1203SF	BULB 40W XENON G9 FROSTED	12

# Assembly Instruction Sheet #IS-RBN2831C For Style RBN2831C

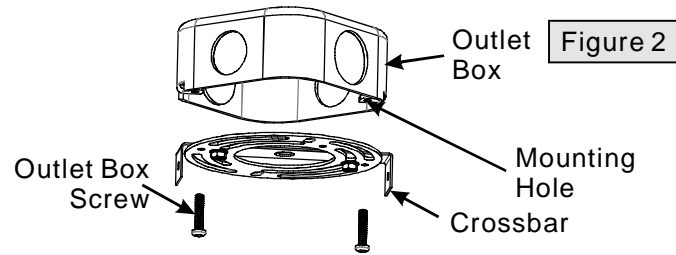
## STEP 1 - Adjust the Fixture Body

- A. Push the Button and pull the Wire Rope to adjust the length of Wire Rope to achieve your desired fixture height. Then adjust the Wire Clasp A touch the Nipple in the Canopy, secure by using Allen Wrench (I) thread the Inner Hexagon Screw into the Wire Clasp A, tighten until snug.
- B. Remove the Screw to open the Wire Clasp B. adjust the length of Wire to achieve your desired fixture height. Secure by reinstalling the Screw, Loosen Clasp B prior to Step A if Necessary.



## STEP 2 - Attach Crossbar to Outlet Box

- A. Attach the Crossbar (A) to Outlet Box and secure by threading Outlet Box Screws (not supplied) into the Mounting Holes on the Outlet Box. Tighten until snug.



## STEP 3 - Make Wire Connections

- A. Use standard wire connectors to make all wire connections. (Connectors are not included with fixture.) Strip and prepare wire ends according to instructions supplied with connectors.
- B. If the electrical wire is going to be cut shorter than provided you will need to identify the "L" line wire and the "N" wire before you cut the excess wire off. One is labeled N and the other labeled L. The third wire has a green stripe on it. To do this strip back the clear wire covering the 3 fixture wires as far as you need to. This will expose each fixture wire individually. Separate the "L" wire from the other two and re-label the wire near where you want to make the cut. Be sure to mark the wire on the side of the fixture and not on the excess wire being cut and removed. Do the same labeling with the "N" wire.
- C. Connect White Supply Wire from the Outlet Box to Wire Labeled "N" from fixture.
- D. Connect Black (or Red) Supply Wire from the Outlet Box to Wire Labeled "L" from fixture.
- E. Connect Ground Wire from the Outlet Box to Green Striped Wire from fixture.
- F. Twist connectors until wires are tightly joined together.
- G. Wrap each connection with approved electrical tape and carefully stuff all the connected wires into the Outlet Box.

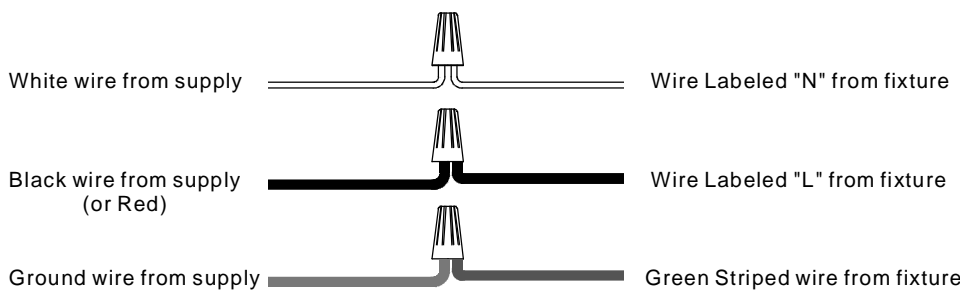


Figure 4

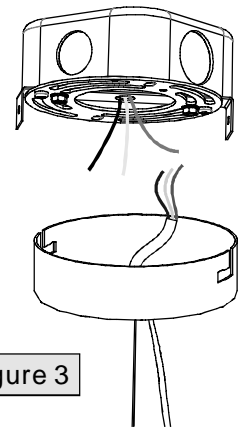


Figure 3

**Thank you for purchasing a Quozel product.**  
**Need assistance with parts or assembly? Call Quozel customer service at 1-631-273-2700**  
**or visit us on-line at [www. quozel. com](http://www. quozel. com)**

**STEP 4 - Attach Ceiling Canopy to Crossbar**

- A. Thread the Mounting Screw (B) into Mounting Hole on the Crossbar (A), tighten until snug.
- B. Pass the Gaps on the Ceiling Canopy over the Mounting Screw (B) and then rotate the Ceiling Canopy. Do not free your hands until the Ceiling Canopy is seated onto the Crossbar.

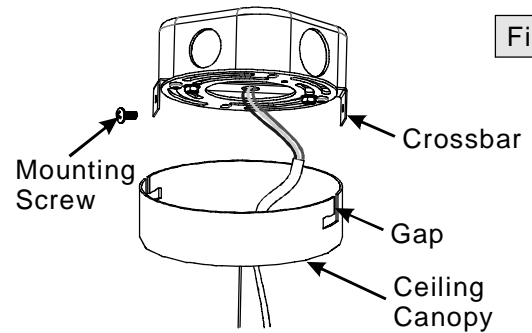


Figure 5

**STEP 5 - Install Bulb**

- A. This fixture uses Frosted G9 Xenon Bulbs. Maximum 40 watts.
- B. Insert bulb and seat properly into place.

**IMPORTANT:** Do not touch the bulb with bare hands use a cloth or glove.

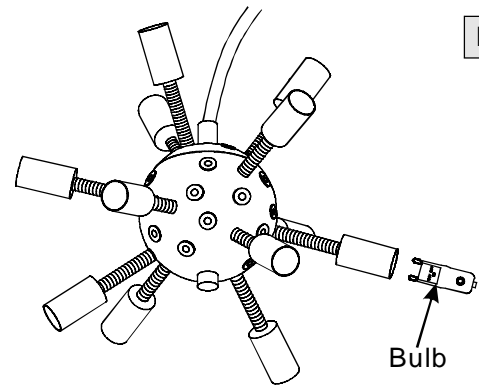


Figure 6

**STEP 6 - Install Trimming to Fixture**

- A. Thread the Short Nipple end of Stem (E) into the Fixture Body (C), hand tighten until snug.
- B. Peel off Protective Films on Trimmings (F).  
Note: Gloves are required to avoid leaving fingerprints or scratches on Trimmings (F).
- C. Place the Trimming (F) and Rubber Washer (G) over the other end of Stem (E). Secure by threading Lock Ball (H) onto the Stem (E). Hand tighten until snug.

Your fixture is now assembled and ready to use.  
Enjoy!

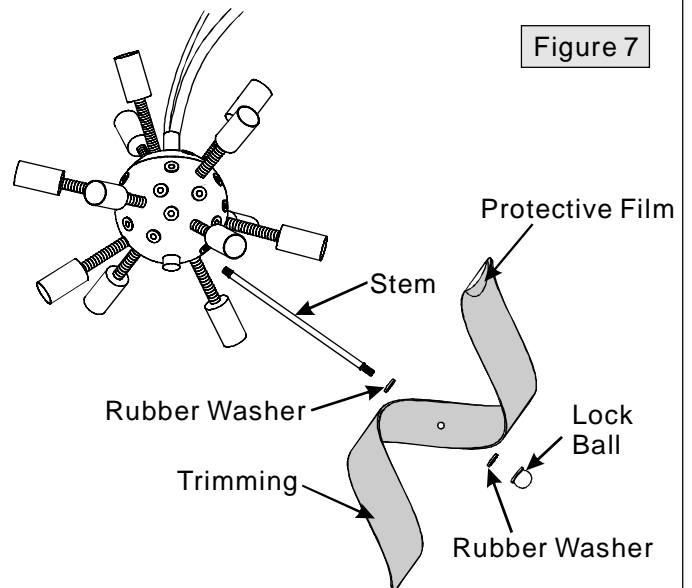


Figure 7

**CAUTION FOR BULB REPLACING**

- A. When replace bulb, turn off power and allow lamp to cool. For safety purpose, wear gloves and eye protection.
- B. If bulb is scratched or cracked, DO NOT use the lamp to avoid breakage during use or installation.
- C. Use only in fixtures rated for lamps wattage and voltage.
- D. Prevent the bulb from contacting liquid or combustible materials.

Thank you for purchasing a Quozel product.

Need assistance with parts or assembly? Call Quozel customer service at 1-631-273-2700  
or visit us on-line at [www. quozel. com](http://www. quozel. com)