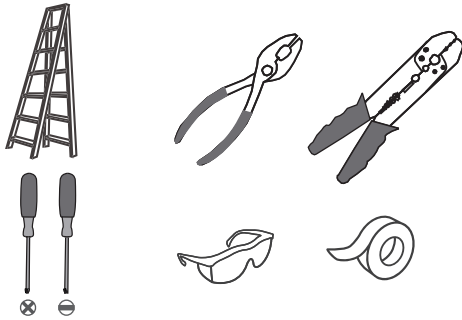
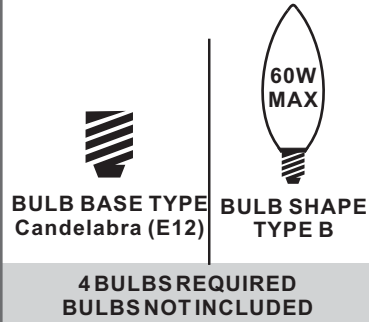


Tools Required



Light Source



**Fixture Height Adjustable
13.75" to 51.25"**

⚠ Warnings and Cautions

Turn off the electricity at the circuit breaker before installation. Consult a licensed electrician if in doubt about installation.

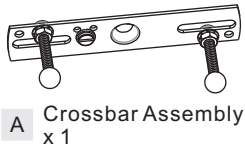
Turn off power to the fixture and allow the bulbs to cool before replacing.

Package Contents

Preparation: Identify and inspect all parts before beginning the installation.

Missing or damaged parts? Contact your original place of purchase.

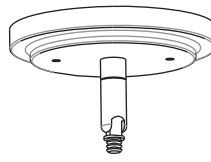
PARTS BAG



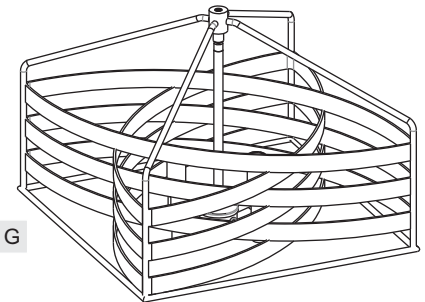
B Outlet Box Screw x 2



C Wire Connector x 3



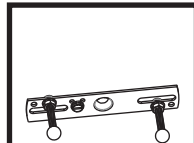
D Ceiling Canopy x 1



Fixture Body x 1 **G**

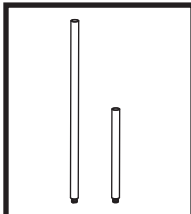
Table of Contents

Crossbar Assembly



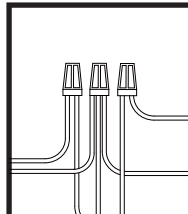
STEP 1

Downrod



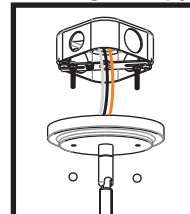
STEP 2

Wiring



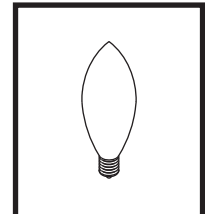
STEP 3

Ceiling Canopy



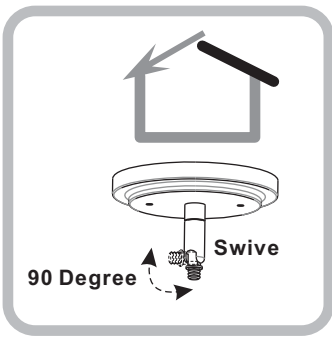
STEP 4

Bulb



STEP 5

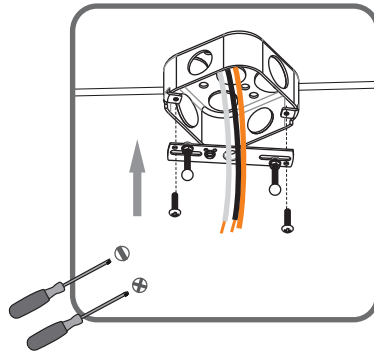
STEP 1



For angled ceilings,
Swivel opening towards wall.

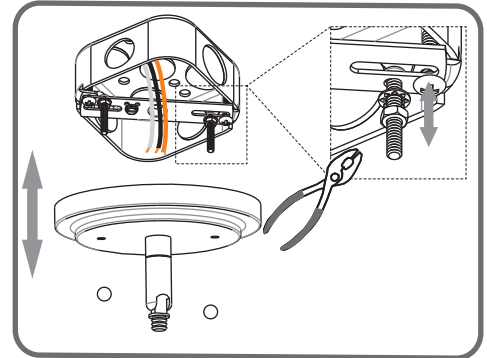
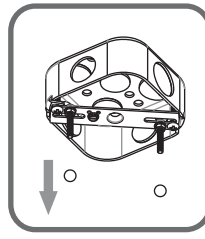
1

Step 1
Install crossbar assembly



2

Step 2 - 3
Test fitting ceiling canopy to
mounting screws

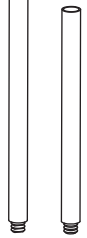


STEP 2

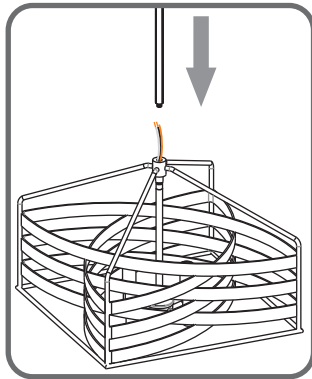
OPTION 1 Pendant

Optional Rods

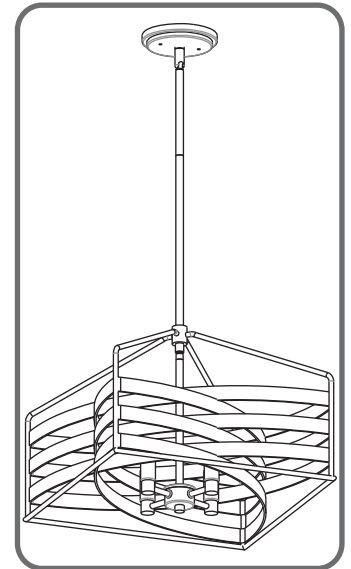
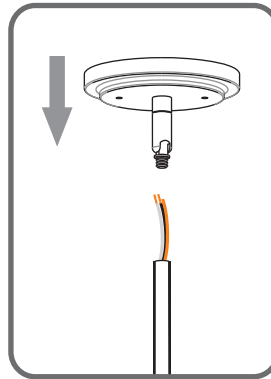
- 8' ceiling:
(2) 12" L rods
- 9' ceiling:
(2) 6" L + (2) 12" L rods



1



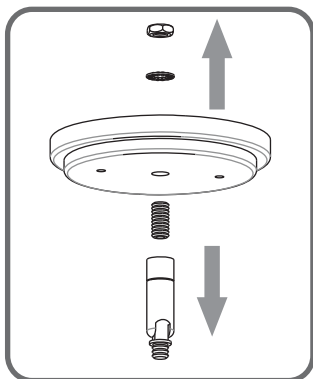
2



OPTION 2 Semi-Flush

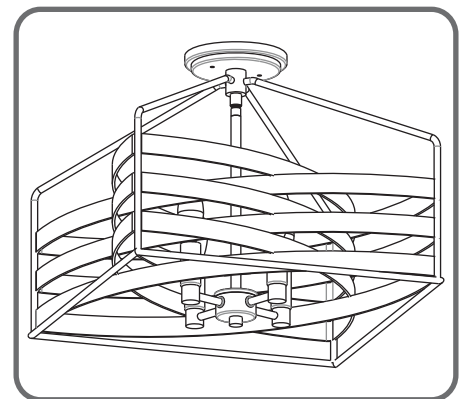
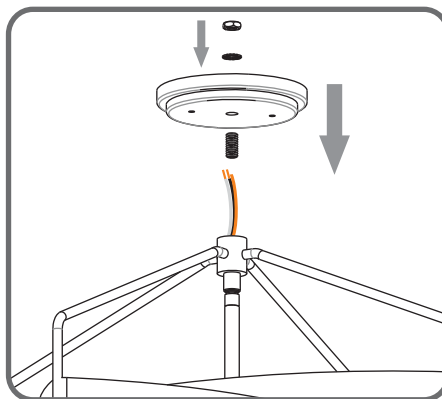
1

Remove Swivel

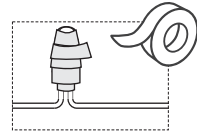
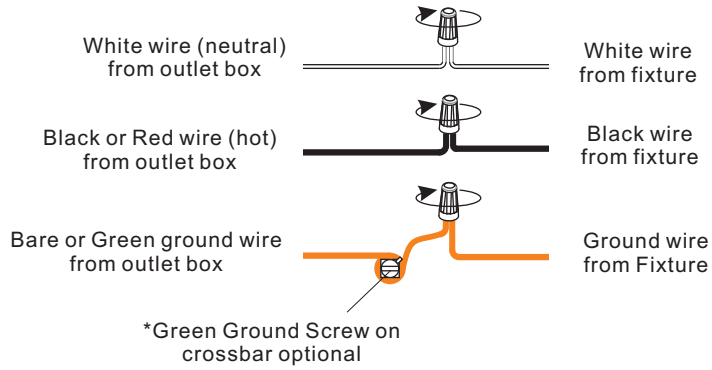


2

Install Ceiling Canopy to Fixture Body



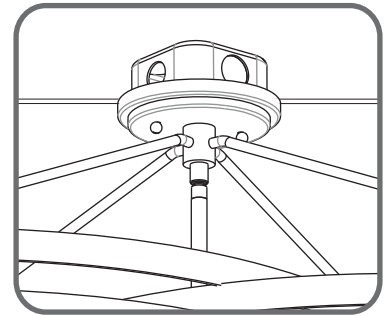
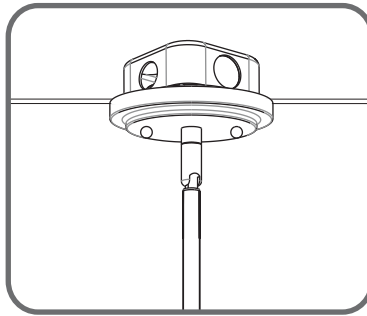
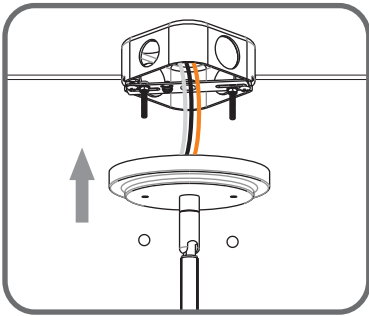
STEP 3



STEP 4

OPTION 1

OPTION 2



STEP 5

OPTION 1

OPTION 2

