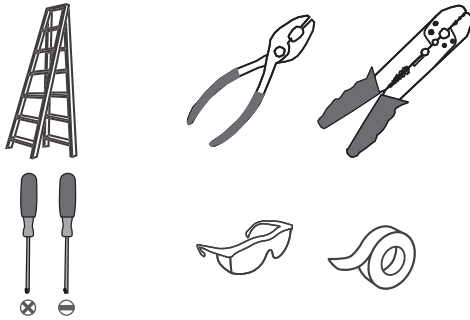
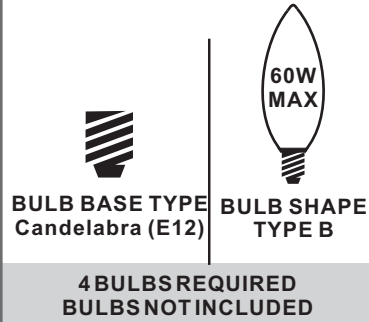


**Tools Required**



**Light Source**



**Warnings and Cautions**

Turn off the electricity at the circuit breaker before installation. Consult a licensed electrician if in doubt about installation.

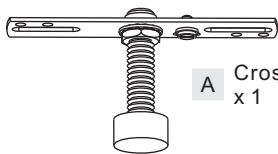
Turn off power to the fixture and allow the bulbs to cool before replacing.

**Package Contents**

**Preparation:** Identify and inspect all parts before beginning the installation.

Missing or damaged parts? Contact your original place of purchase.

**PARTS BAG**



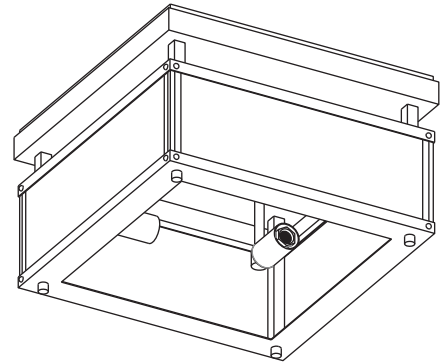
**A** Crossbar Assembly x 1



**B** Outlet Box Screw x 2



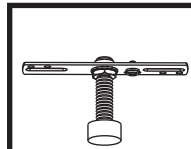
**C** Wire Connector x 3



**D** Fixture Body x 1

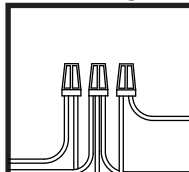
**Table of Contents**

**Crossbar Assembly**



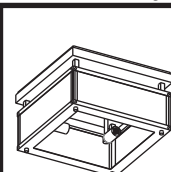
STEP 1

**Wiring**



STEP 2

**Fixture Body**



STEP 3

**Bulb**

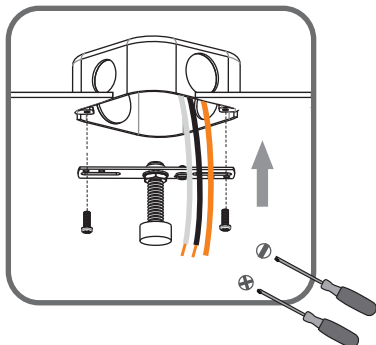


STEP 4

**STEP 1**

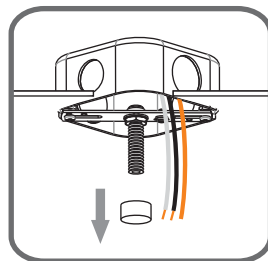
1

**Step 1**  
Install crossbar assembly

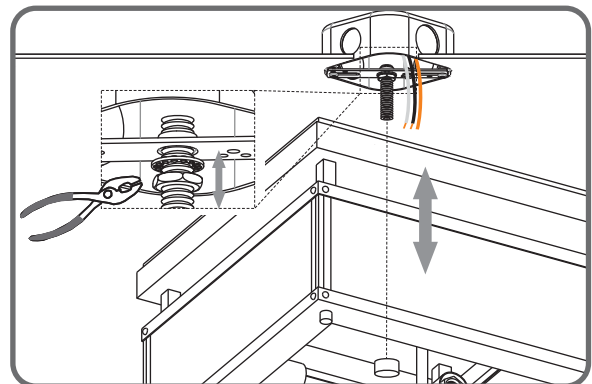


2

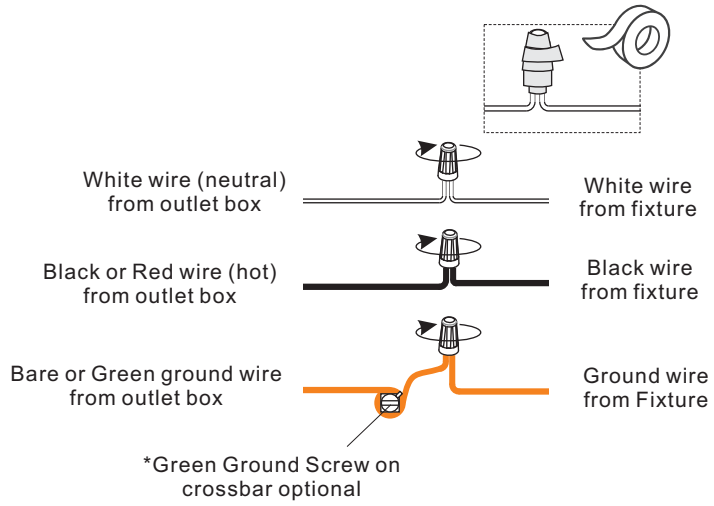
**Step 2 - 3**  
Test fitting ceiling canopy to nipple



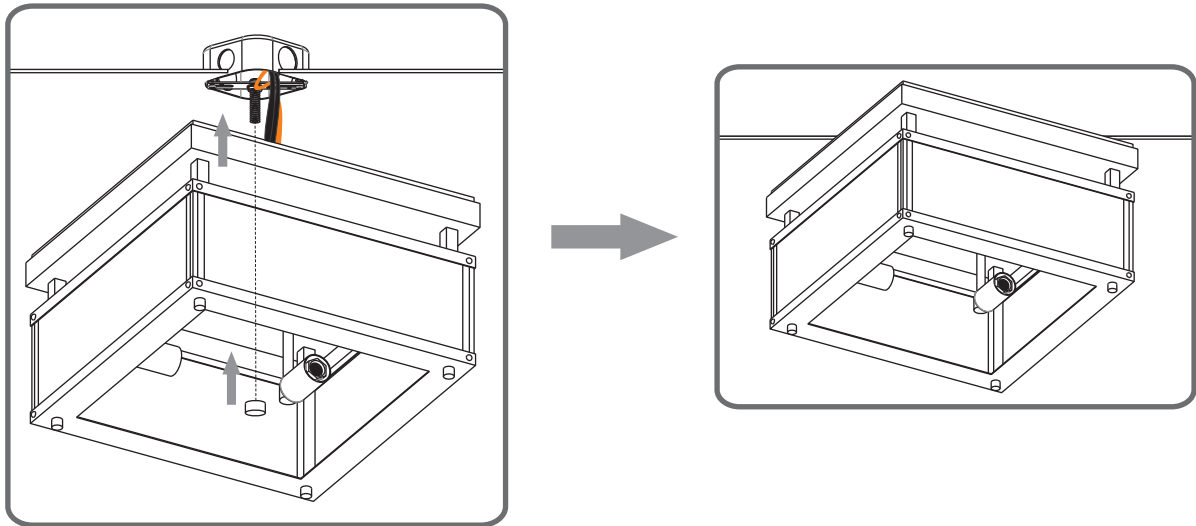
3



## STEP 2



## STEP 3



## STEP 4

