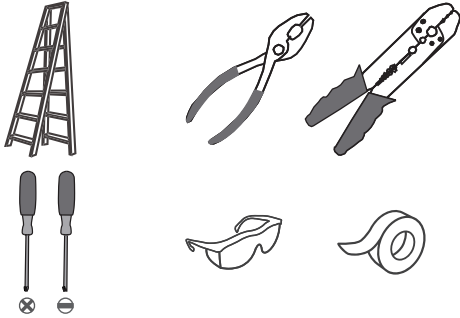


Tools Required



Light Source

29W
LED

Warnings and Cautions

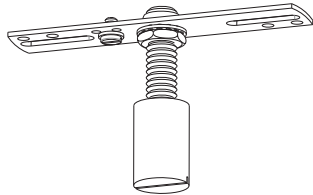
Turn off the electricity at the circuit breaker before installation. Consult a licensed electrician if in doubt about installation.

Package Contents

Preparation: Identify and inspect all parts before beginning the installation.

Missing or damaged parts? Contact your original place of purchase.

PARTS BAG



A Crossbar Assembly
x 1



D Wall Anchor
x 3



B Outlet Box Screw
x 2



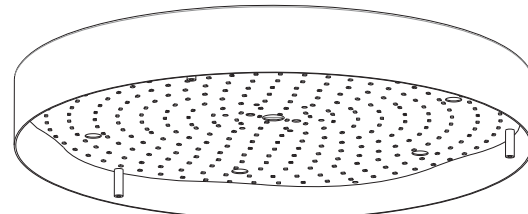
E Flat Washer
x 3



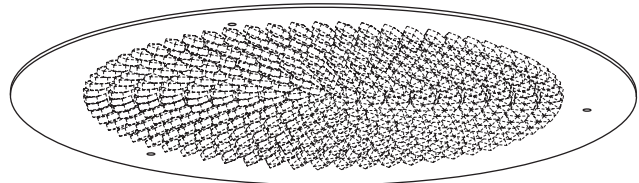
C Wire Connector
x 3



F Screw
x 3



G Fixture Body
x 1



H Diffuser
x 1



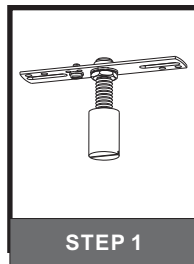
I Rubber Washer
x 3



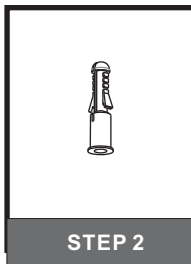
J Lock Screw
x 3

Table of Contents

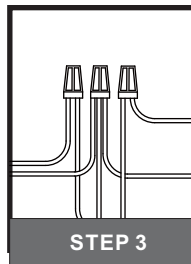
Crossbar Assembly



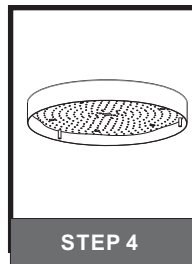
Wall Anchors



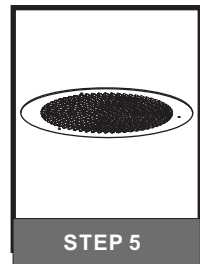
Wiring



Fixture Body



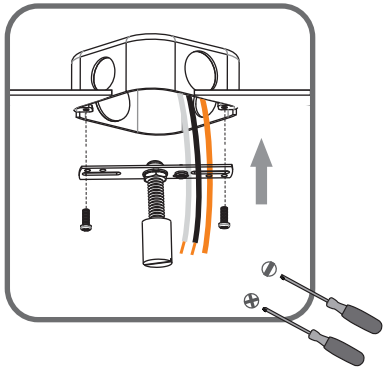
Diffuser



STEP 2

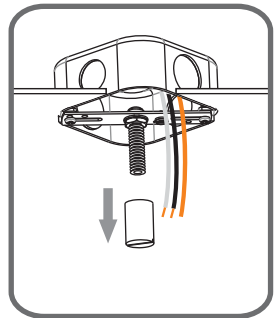
1

Step 1
Install crossbar assembly

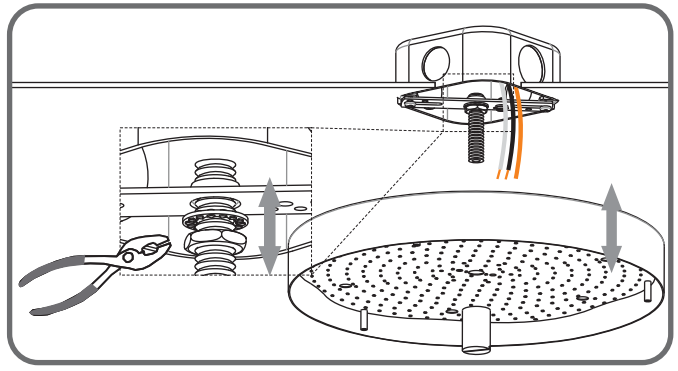


2

Step 2 - 3
Test fitting ceiling canopy to nipple



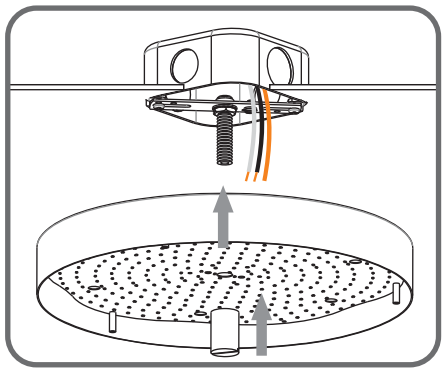
3



STEP 2

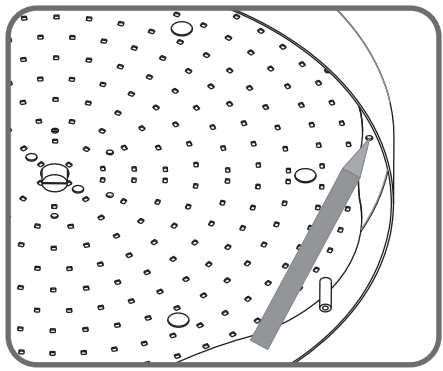
1

Install fixture body



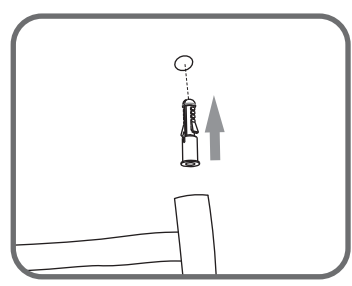
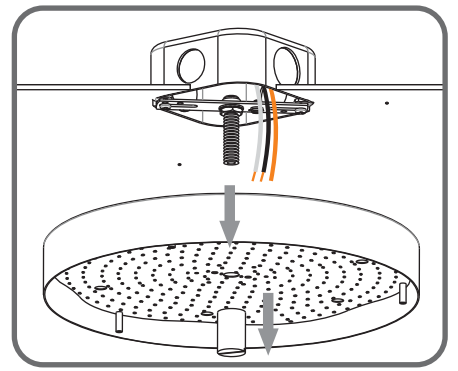
2

Mark Anchor Holes Location on the Ceiling

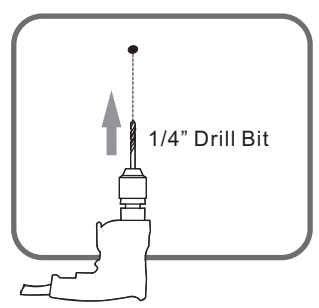


3

Remove fixture body



Install Wall Anchors

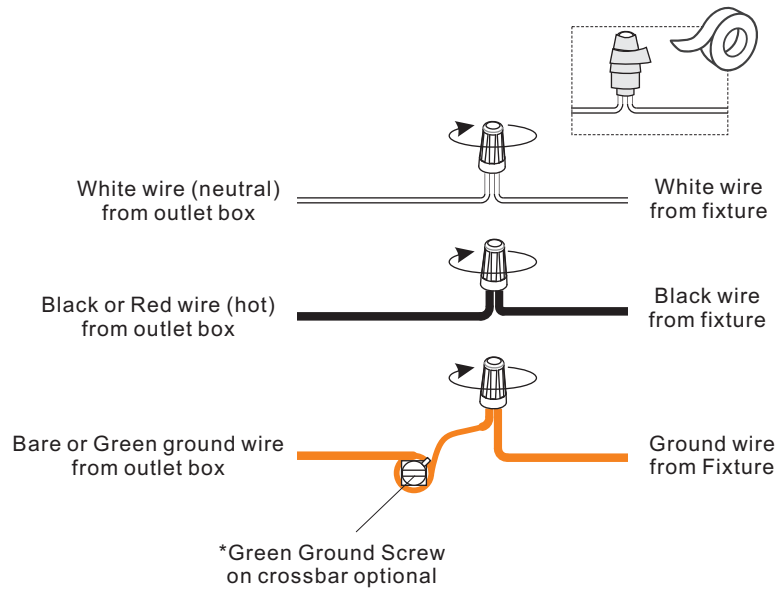


Drill Holes for Anchors from marks

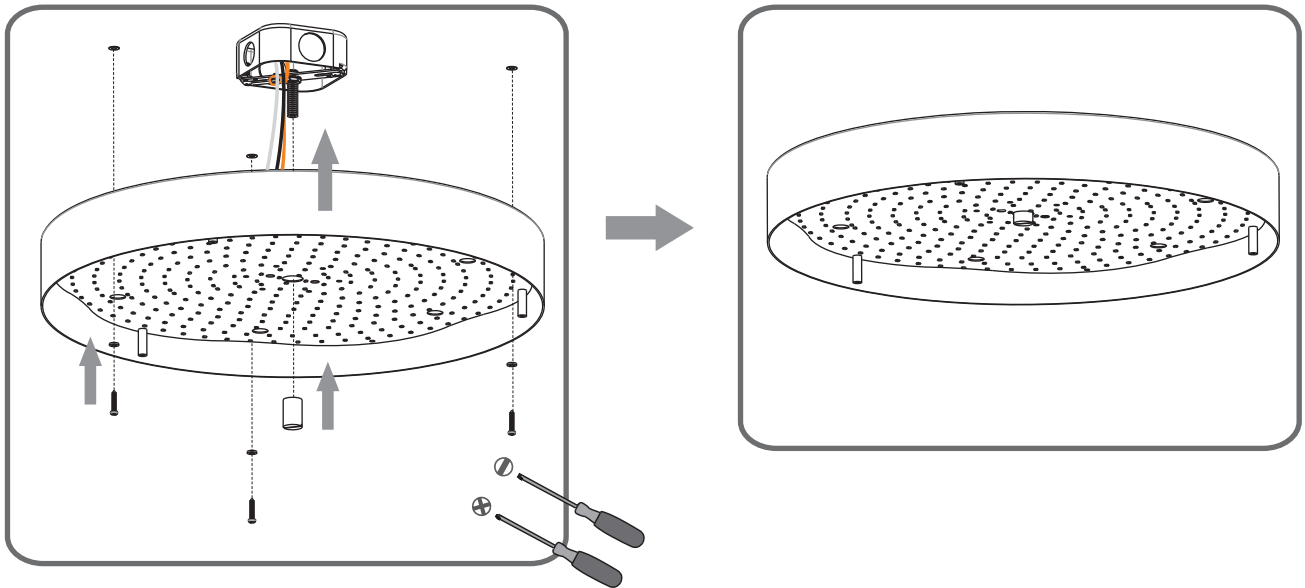
5

4

STEP 3



STEP 4



STEP 5

