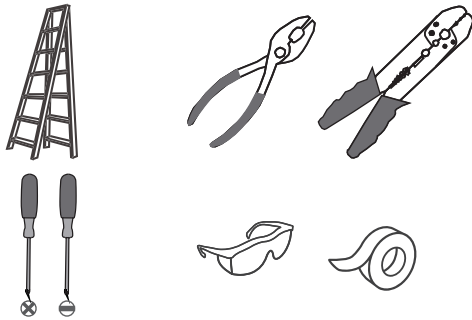
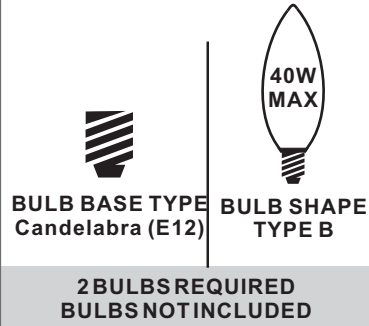


**Tools Required**



**Light Source**



**Warnings and Cautions**

Turn off the electricity at the circuit breaker before installation. Consult a licensed electrician if in doubt about installation.

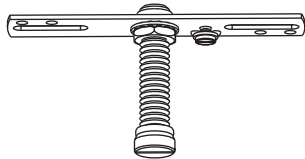
Turn off power to the fixture and allow the bulbs to cool before replacing.

**Package Contents**

**Preparation:** Identify and inspect all parts before beginning the installation.

Missing or damaged parts? Contact your original place of purchase.

**PARTS BAG**



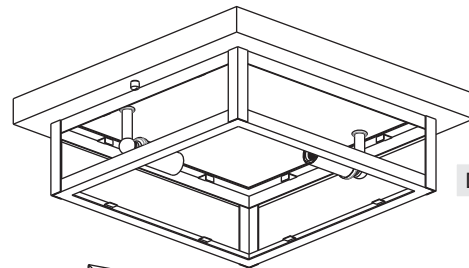
**A** Crossbar Assembly x 1



**B** Outlet Box Screw x 2



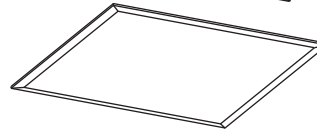
**C** Wire Connector x 3



**D** Fixture Body x 1



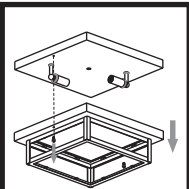
**E** Side Glass Panel x 4



**F** Square Glass Panel x 1

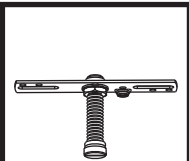
**Table of Contents**

**Separate Cage**



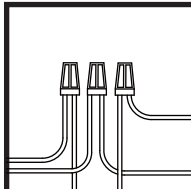
**STEP 1**

**Crossbar Assembly**



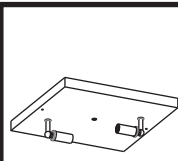
**STEP 2**

**Wiring**



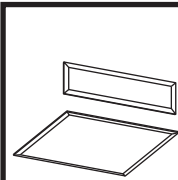
**STEP 3**

**Fixture Body**



**STEP 4**

**Glass Panels**



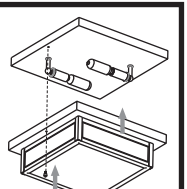
**STEP 5**

**Bulb**



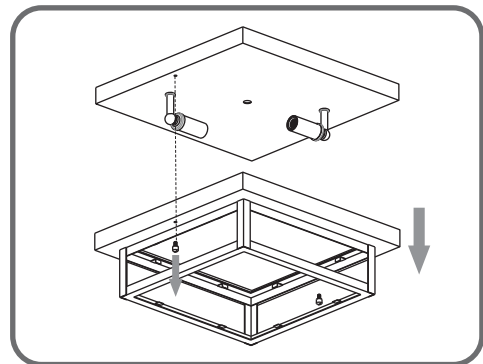
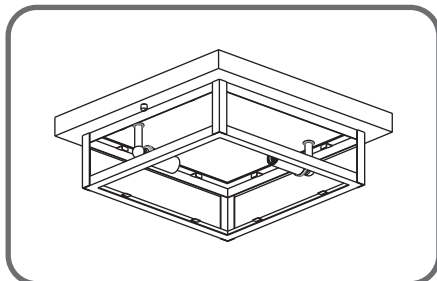
**STEP 6**

**Cage**



**STEP 7**

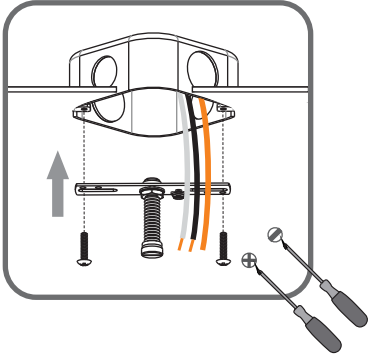
**STEP 1**



## STEP 2

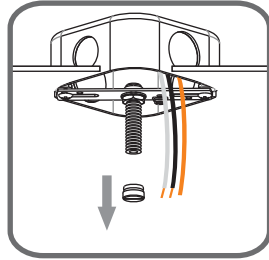
1

Step 1  
Install crossbar assembly

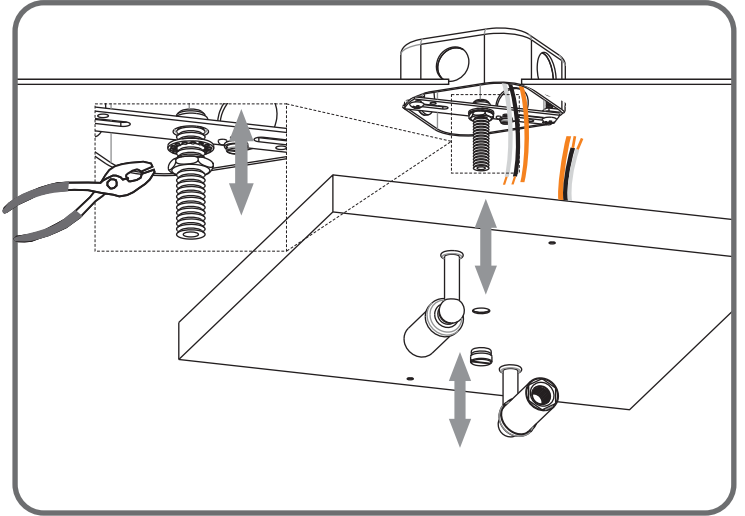


2

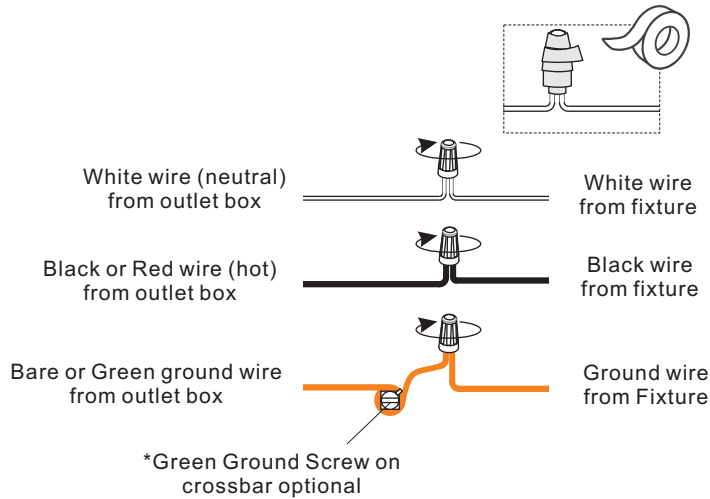
Step 2 - 3  
Test fitting ceiling canopy to nipple



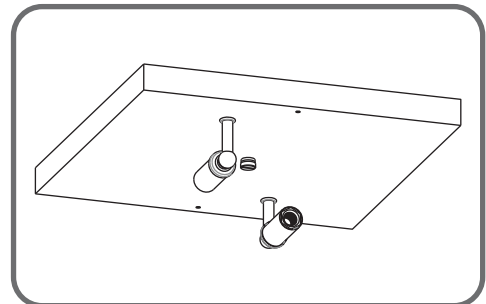
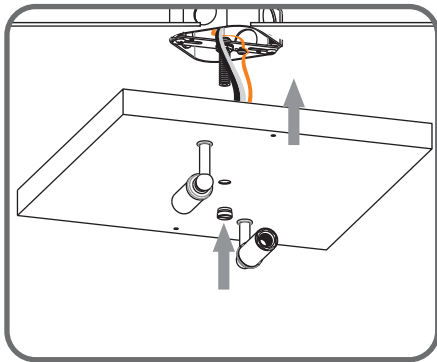
3



## STEP 3



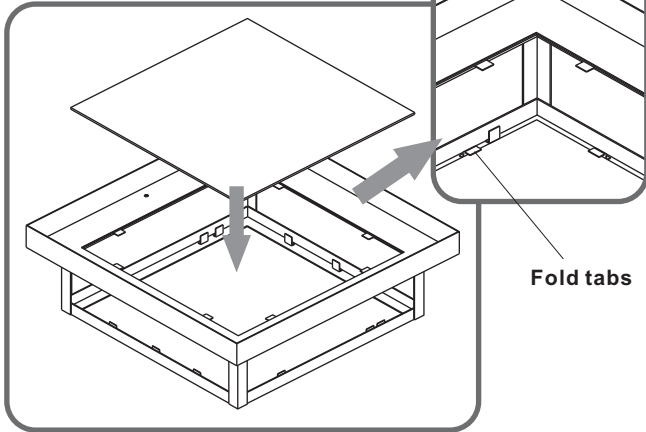
## STEP 4



## STEP 5

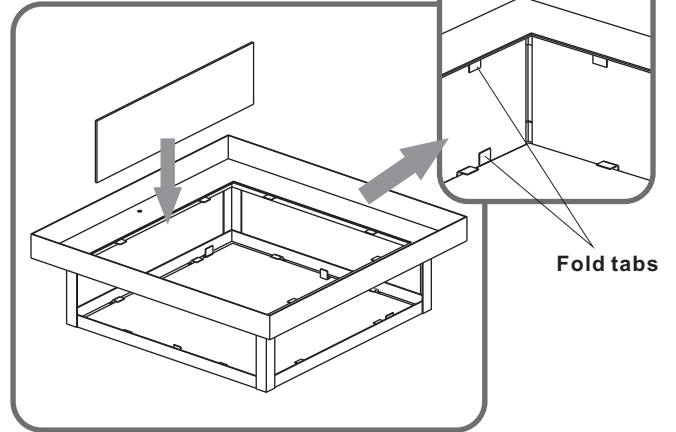
1

Install square glass panel

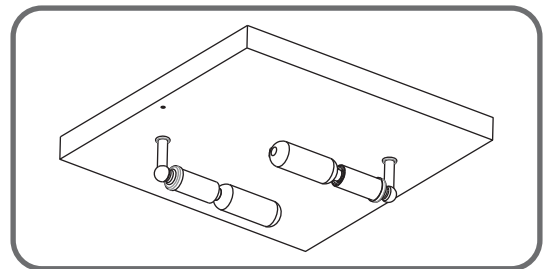
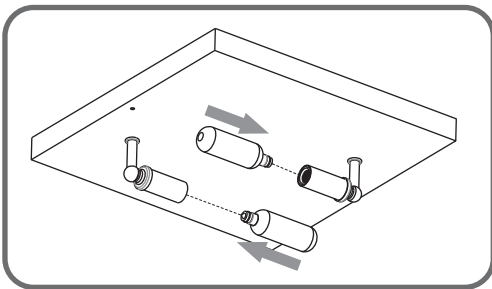


2

Install side glass panel



## STEP 6



## STEP 7

