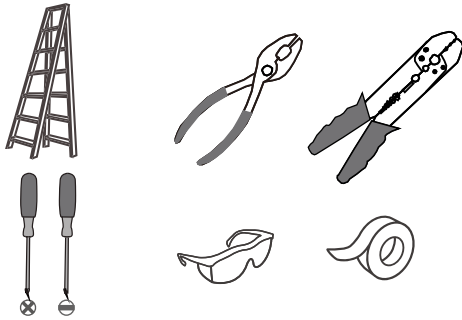
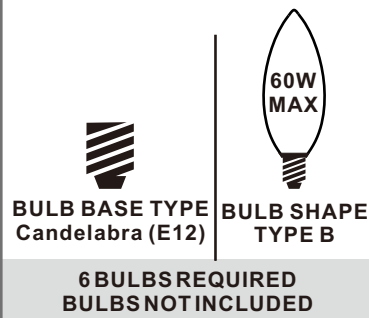


Tools Required



Light Source



Fixture Height Adjustable
28" to 64"

Warnings and Cautions

Turn off the electricity at the circuit breaker before installation. Consult a licensed electrician if in doubt about installation.

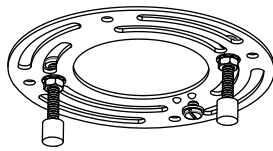
Turn off power to the fixture and allow the bulbs to cool before replacing.

Package Contents

Preparation: Identify and inspect all parts before beginning the installation.

Missing or damaged parts? Contact your original place of purchase.

PARTS BAG



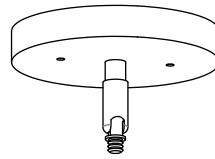
A Crossbar Assembly
x 1



B Outlet Box Screw
x 2



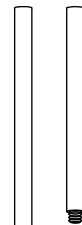
C Wire Connector
x 3



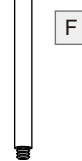
D Ceiling Canopy Assembly
x 1



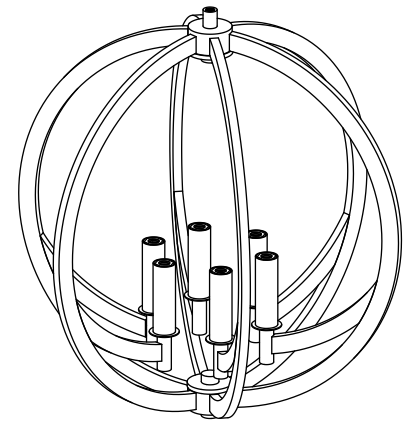
G Crystal Bobèche
x 6



E 6" L Rod
x 2



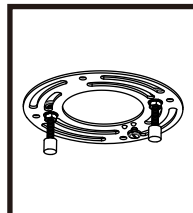
F 12" L Rod
x 2



H Fixture Body
x 1

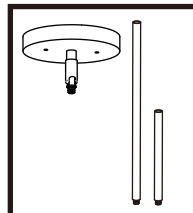
Table of Contents

Crossbar Assembly



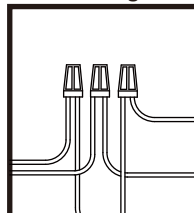
STEP 1

Ceiling Canopy Assembly & Downrod



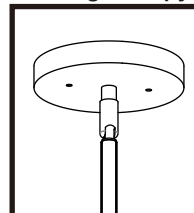
STEP 2

Wiring



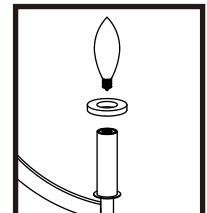
STEP 3

Ceiling Canopy



STEP 4

Crystal bobèche & Bulb

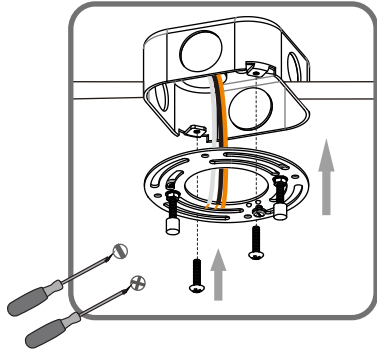


STEP 5

STEP 1

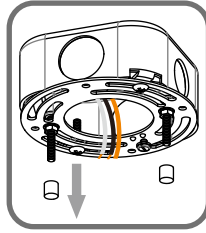
1

Step 1
Install crossbar assembly

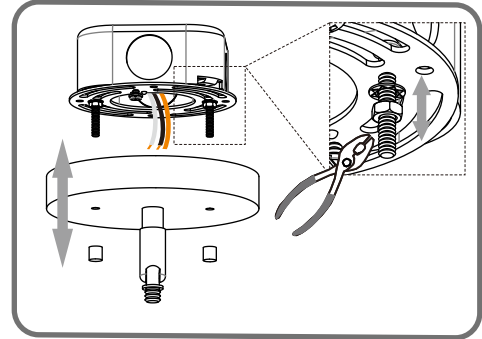


2

Step 2 - 3
Test fitting ceiling canopy to
mounting screws



3



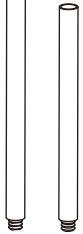
STEP 2

OPTION 1

Pendant — ON2824WT, ON2824BN

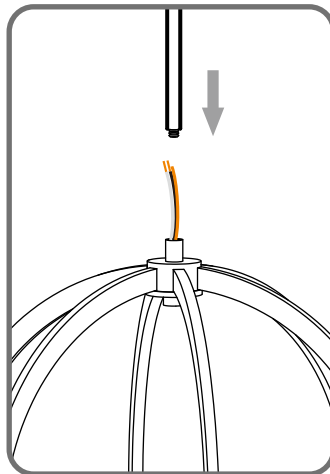
Optional Rods

- 8' ceiling:
(2) 12" L rods
- 9' ceiling:
(2) 6" L + (2) 12" L rods



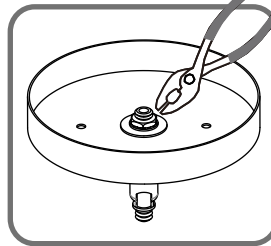
1

Install rods



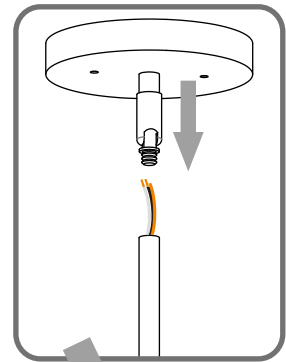
2

Tighten hex nut inside
of the ceiling canopy



3

Install Ceiling Canopy

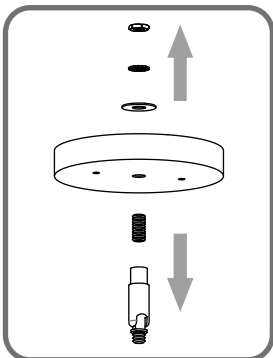


OPTION 2

Semi-flush — ON1724WT, ON1724BN

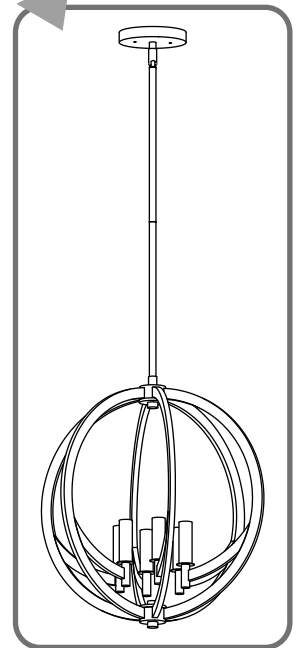
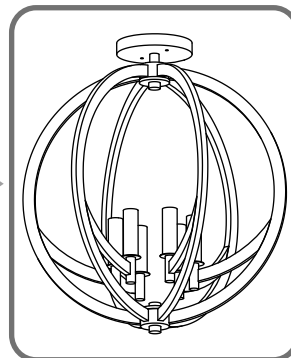
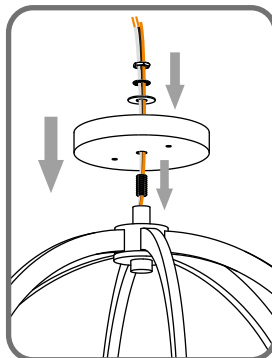
1

Remove swivel

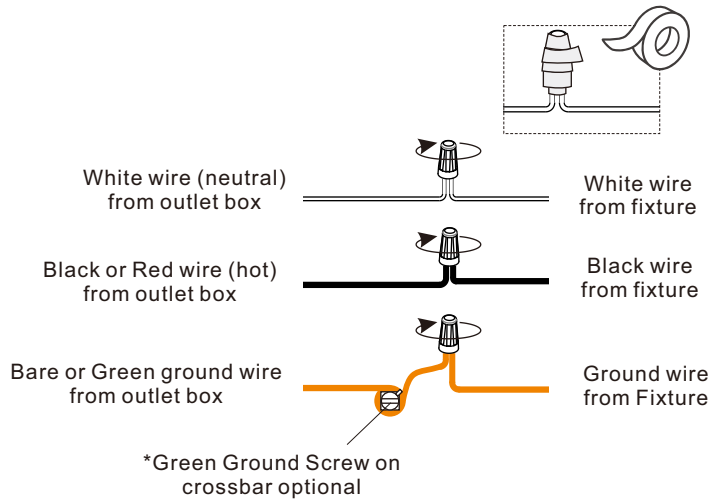


2

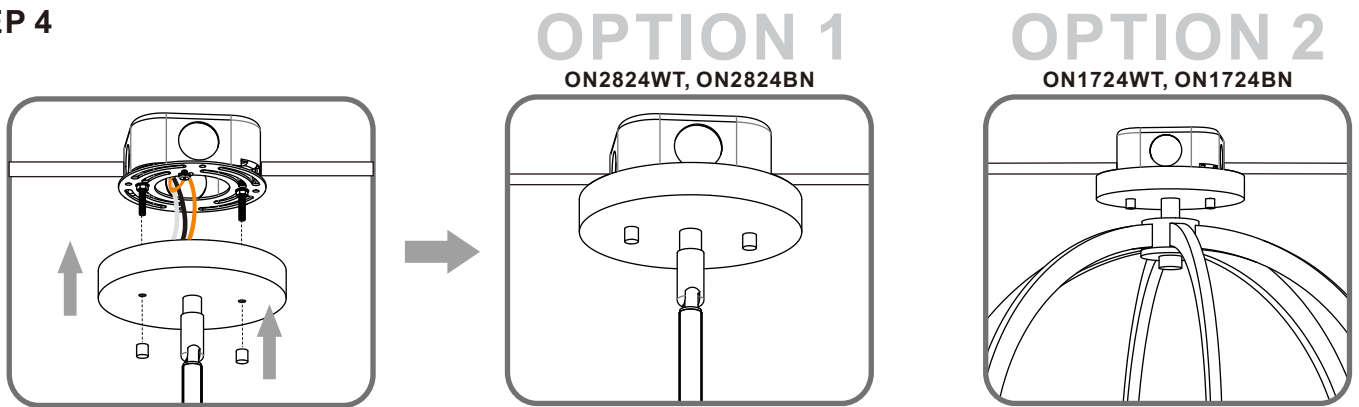
Install ceiling canopy



STEP 3



STEP 4



STEP 5

