

SAFETY INFORMATION

Please read and understand this entire manual before attempting to assemble, install or operate the product.

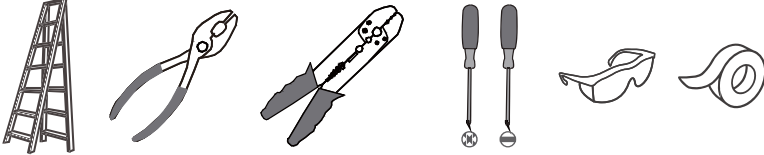
WARNING

- RISK OF ELECTRIC SHOCK - Before beginning installation, turn off electricity at the circuit breaker box or the main fuse box.
- RISK OF FIRE - Use bulbs specified by the markings and/or labels on the fixture.

CAUTION

- For your safety, read instructions completely before beginning installation.
- If in doubt about electrical installation, consult a licensed electrician.
- Turn off electricity to fixture before replacing the bulb(s).

TOOLS REQUIRED

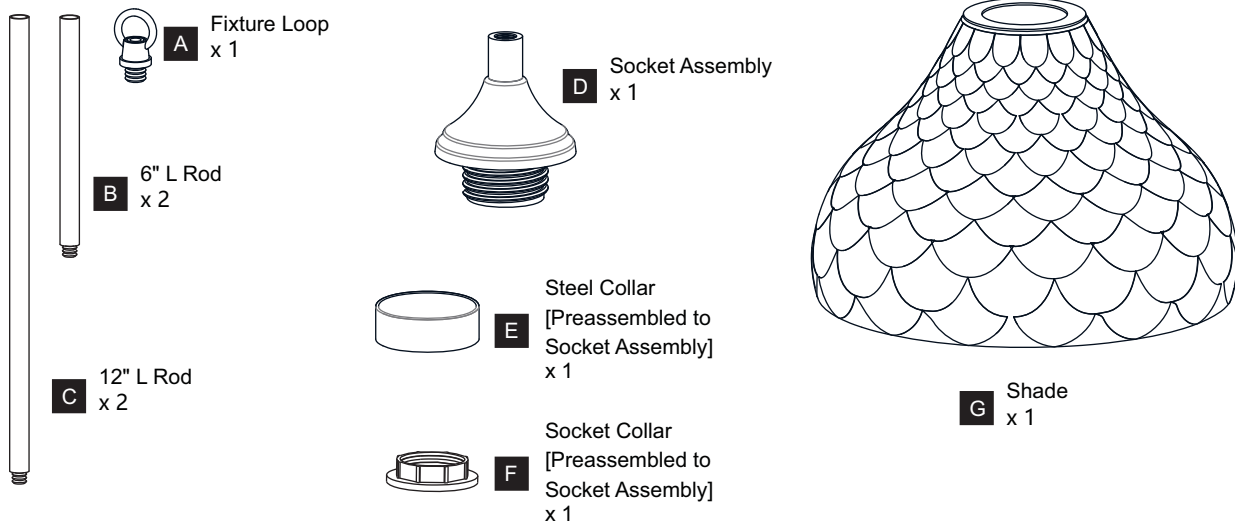


CARE AND MAINTENANCE

- Wipe clean using soft, dry cloth or static duster. Always avoid using harsh chemicals and abrasives to clean fixture as they may damage the finish.

If you need further assistance call Quoizel Customer Care at 1-800-645-3184 (9:00am - 5:00pm EST), or visit us on-line at www.quoizel.com.

PACKAGE CONTENTS



MOUNTING HARDWARE



INSTALLATION

1 Install Rods

Optional Rods:

8 Feet Ceiling:
(2) 12"L Rods.

9 Feet Ceiling:
(2) 6"L Rods + (2) 12"L Rods.

2 Install Fixture Loop

3 Install Crossbar Assembly

Outlet Box

Canopy Lock Ring

4 Install Quick Link and Pull Supply Wires

* Ceiling Canopy shape is varies depends on item purchased.

5 Wiring

White wire from supply

Ribbed side of wire from fixture identified with the label "N"

Black (or red) wire from supply

Smooth side of wire from fixture identified with the label "L"

Ground wire from supply

Green ground wire

Ground wire from fixture identified with the label "G"

6 Install Ceiling Canopy

* Ceiling Canopy shape is varies depends on item purchased.

7 Install Shade and Bulb

Install the correct bulb referring to fixture markings and/or labels for maximum wattage.

Recommended Bulb Type (not included):

BULB BASE TYPE
Medium (E26)

BULB TYPE
TYPE A

Your installation is now complete! Restore electricity and save this sheet for future reference.