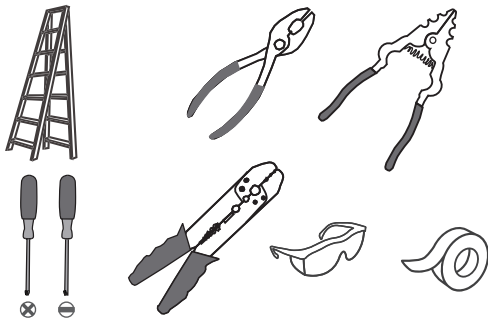
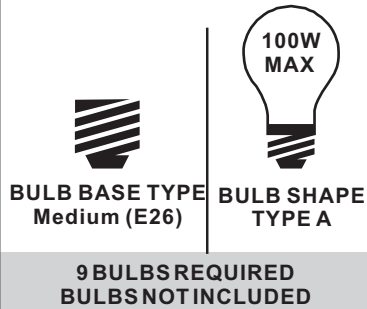


**Tools Required**



**Light Source**



**Fixture Height Adjustable  
31.75" to 81.25"**

**Warnings and Cautions**

Turn off the electricity at the circuit breaker before installation. Consult a licensed electrician if in doubt about installation.

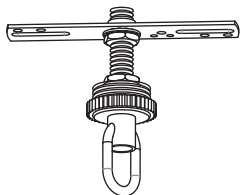
Turn off power to the fixture and allow the bulbs to cool before replacing.

**Package Contents**

**Preparation:** Identify and inspect all parts before beginning the installation.

Missing or damaged parts? Contact your original place of purchase.

**PARTS BAG**



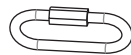
**A** Crossbar Assembly x 1



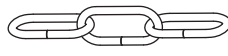
**B** Outlet Box Screw x 2



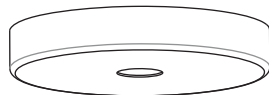
**C** Wire Connector x 3



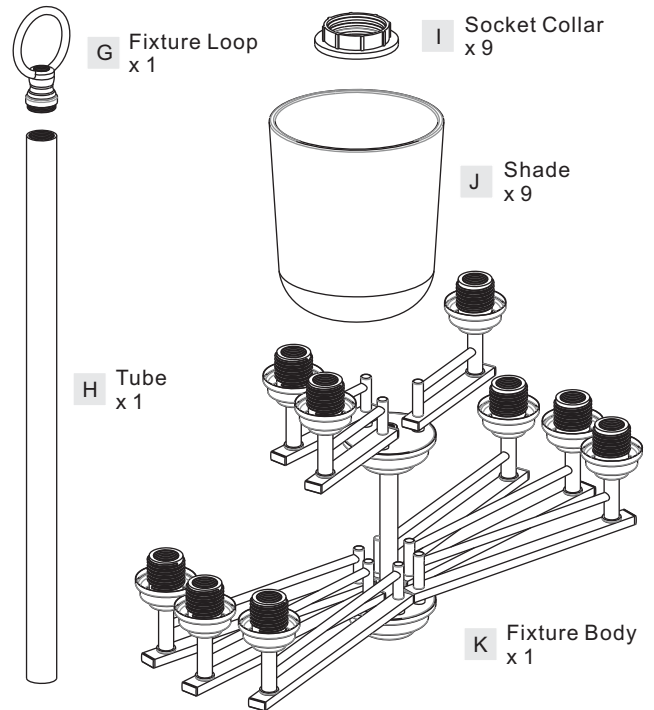
**D** Quick Link x 2



**E** Fixture Chain x 1



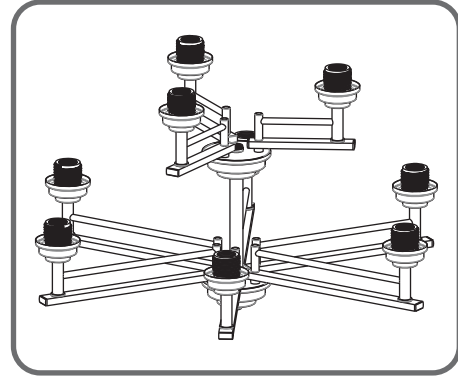
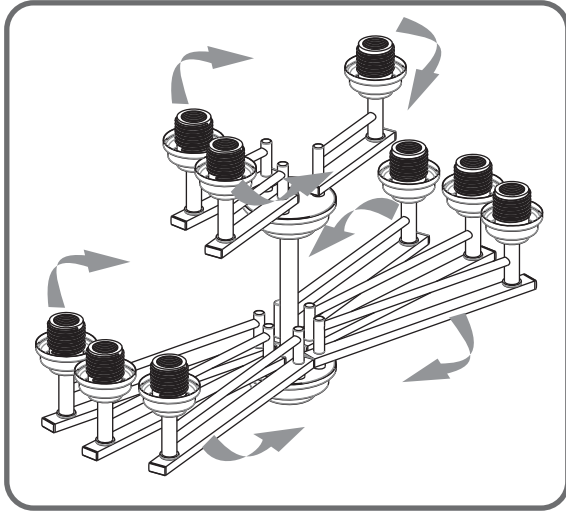
**F** Ceiling Canopy x 1



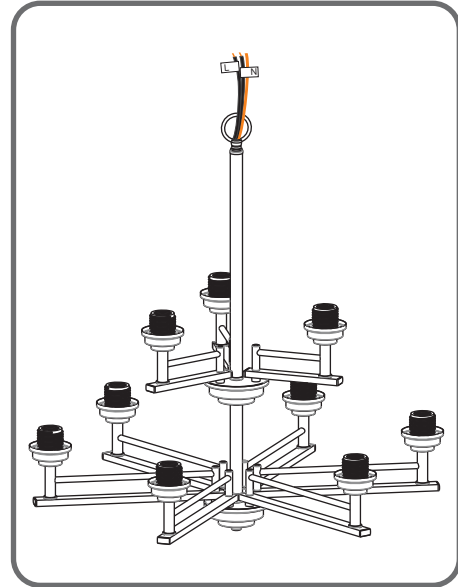
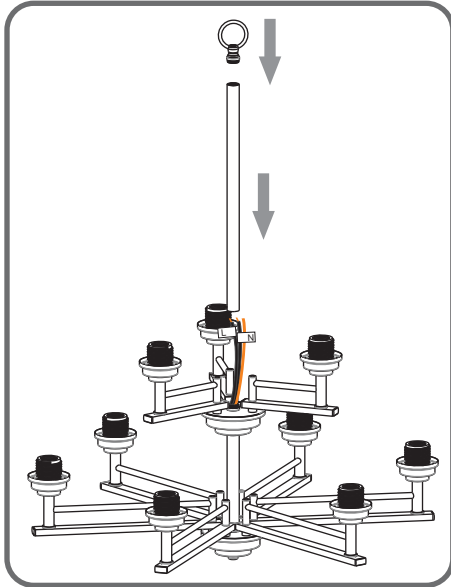
**Table of Contents**

Unfold Arms	Fixture Loop & Tube	Crossbar Assembly	Fixture Chain	Wiring	Ceiling Canopy	Shade & Bulb
<b>STEP 1</b>	<b>STEP 2</b>	<b>STEP 3</b>	<b>STEP 4</b>	<b>STEP 5</b>	<b>STEP 6</b>	<b>STEP 7</b>

**STEP 1**



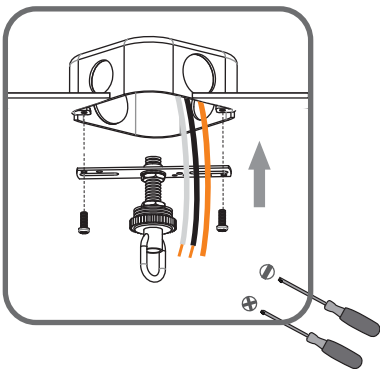
**STEP 2**



**STEP 3**

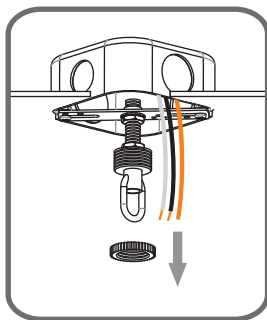
1

Step 1  
Install crossbar assembly

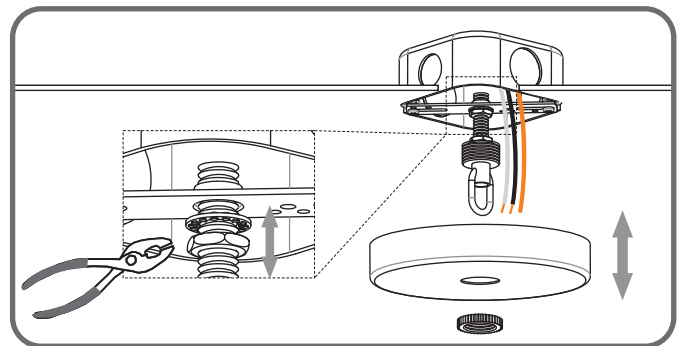


2

Step 2 - 3  
Test fitting ceiling canopy to nipple



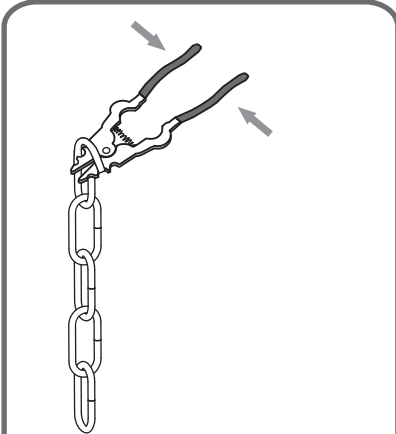
3



# STEP 4

1

Step 1  
Adjust fixture chain length

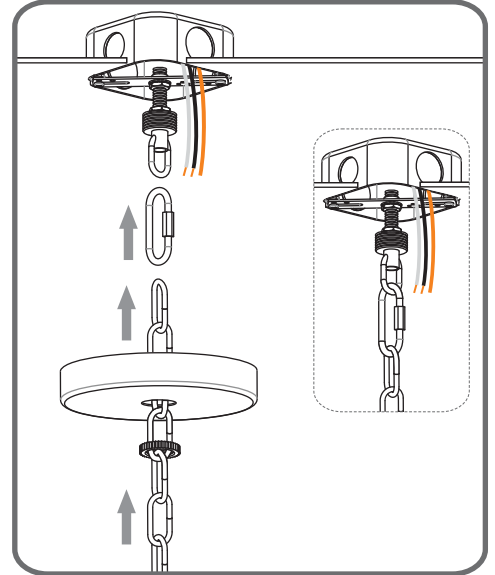
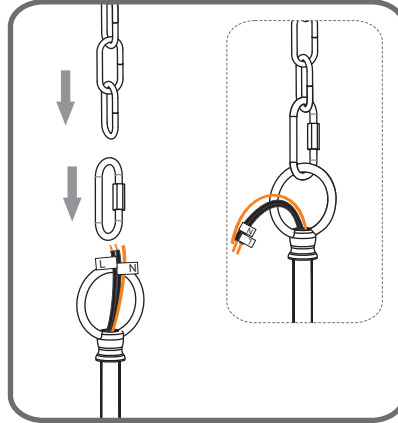


Suggested Chain Length:

- 8' ceiling: 4.25" Chain
- 9' ceiling: 15.25" Chain
- 10' ceiling: 26.25" Chain

2

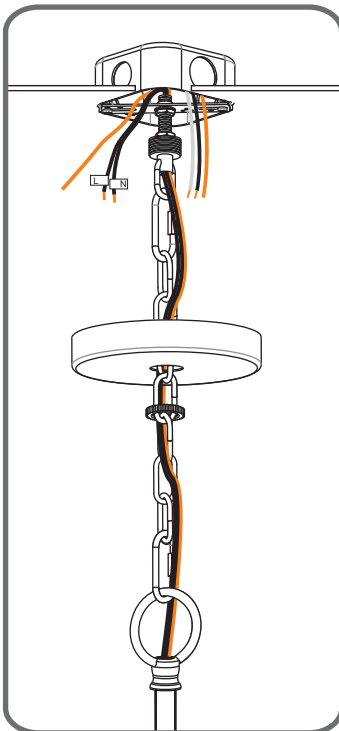
Step 2 - 3  
Install Fixture Chain



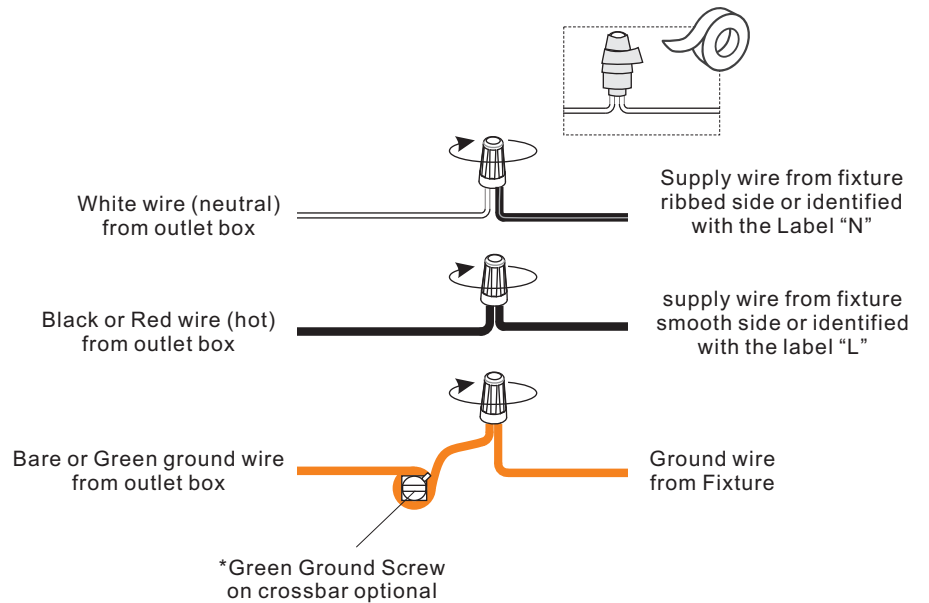
# STEP 5

1

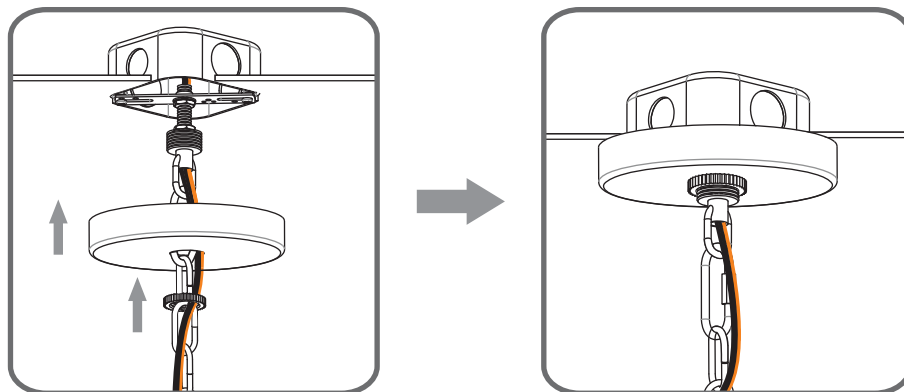
Step 1  
Feed the fixture wires through the loop



2



**STEP 6**



**STEP 7**

