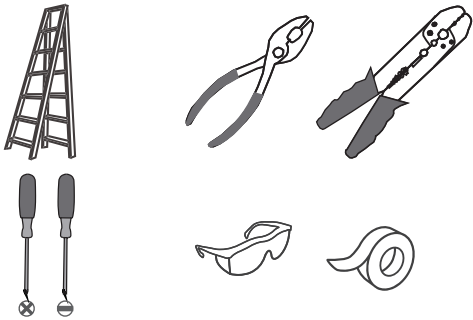
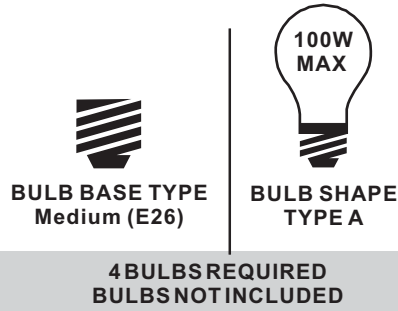


**Tools Required**



**Light Source**



**Fixture Height Adjustable  
26.75" to 62.75"**

**⚠ Warnings and Cautions**

Turn off the electricity at the circuit breaker before installation. Consult a licensed electrician if in doubt about installation.

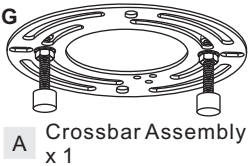
Turn off power to the fixture and allow the bulbs to cool before replacing.

**Package Contents**

**Preparation:** Identify and inspect all parts before beginning the installation.

Missing or damaged parts? Contact your original place of purchase.

**PARTS BAG**



**A** Crossbar Assembly x 1



**B** Outlet Box Screw x 2



**C** Wire Connector x 3



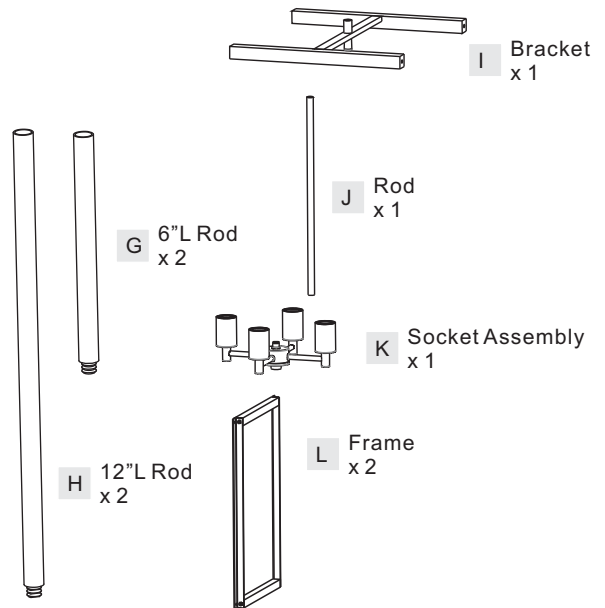
**D** Ceiling Canopy x 1



**E** Lock Screw x 8



**F** Stem x 2



**G** 6" L Rod x 2

**H** 12" L Rod x 2

**J** Rod x 1

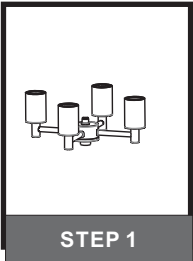
**I** Bracket x 1

**L** Frame x 2

**K** Socket Assembly x 1

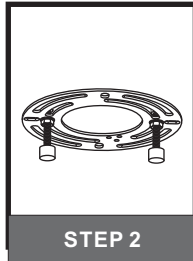
**Table of Contents**

**Socket Assembly**



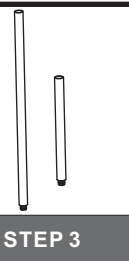
**STEP 1**

**Crossbar Assembly**



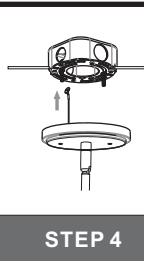
**STEP 2**

**Rods**



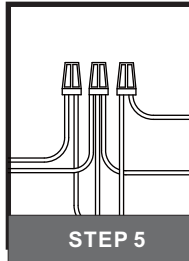
**STEP 3**

**Lanyard**



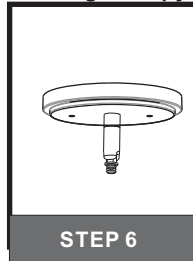
**STEP 4**

**Wiring**



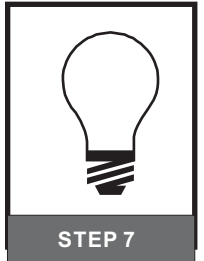
**STEP 5**

**Ceiling Canopy**



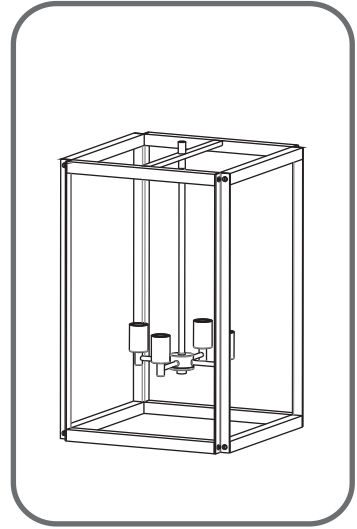
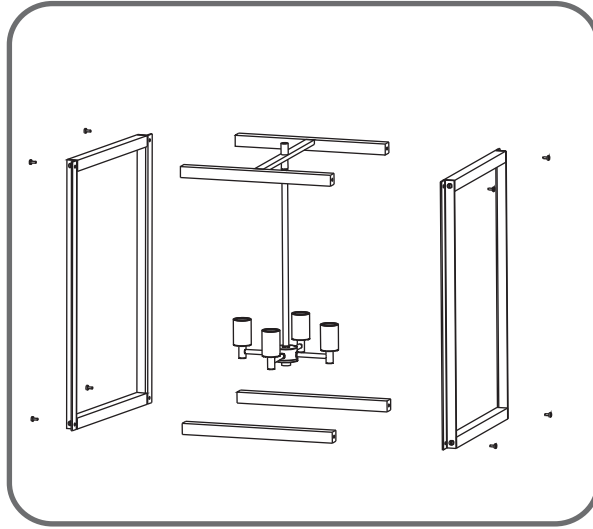
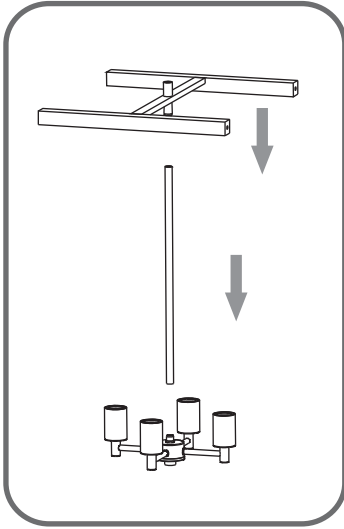
**STEP 6**

**Bulb**

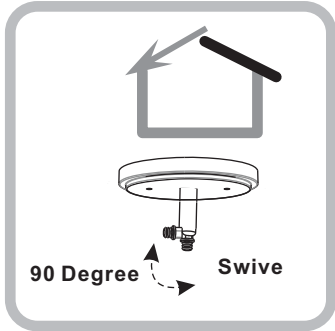


**STEP 7**

## STEP 1



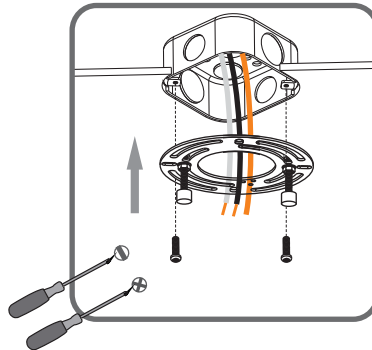
## STEP 2



For angled ceilings,  
Swivel opening towards wall.

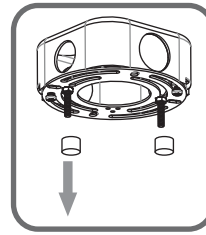
1

Step 1  
Install crossbar assembly

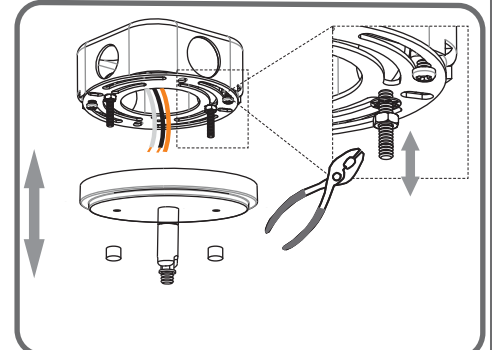


2

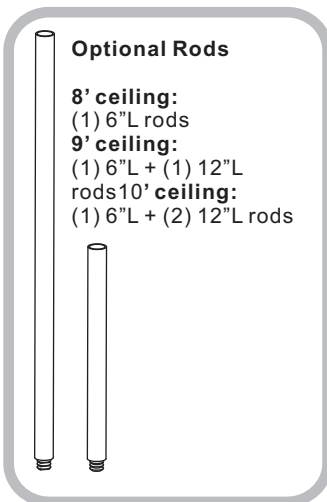
Step 2 - 3  
Test fitting ceiling canopy to  
mounting screws



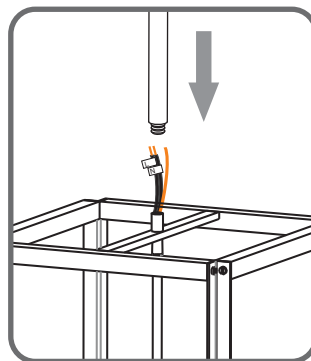
3



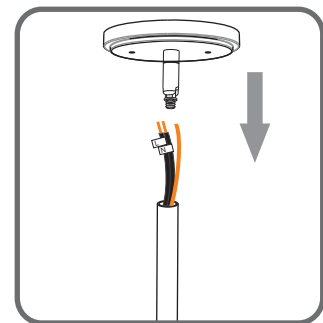
## STEP 3



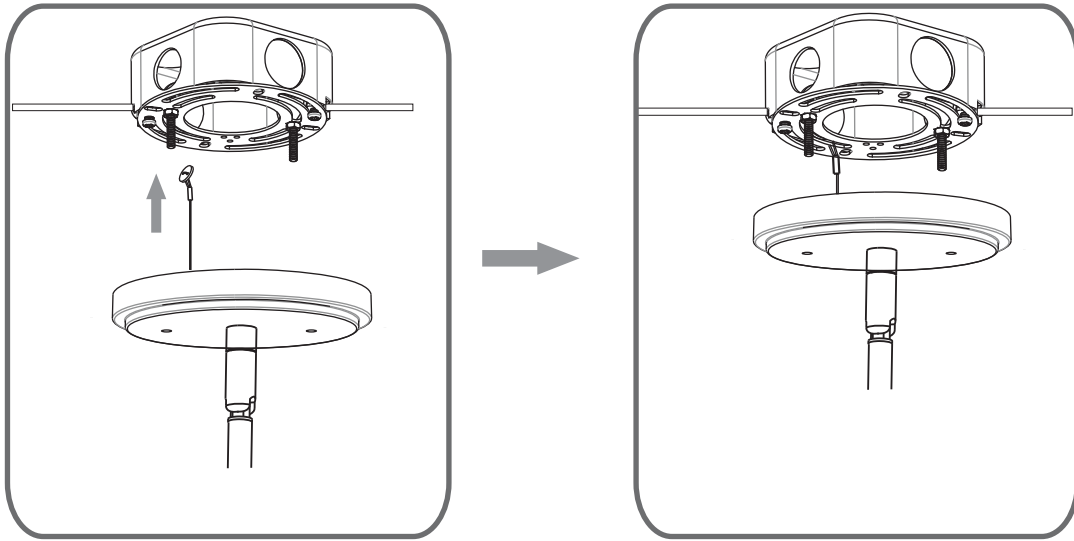
1



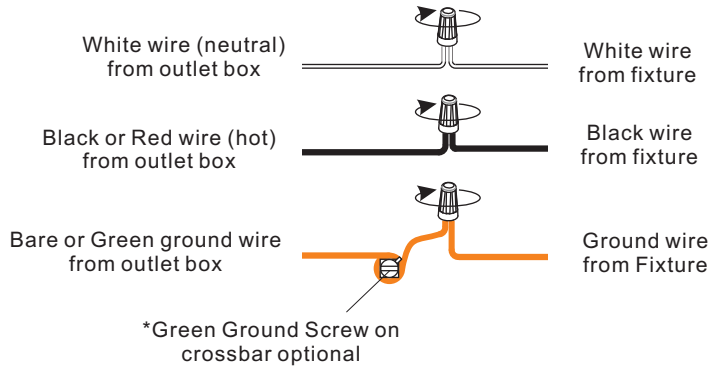
2



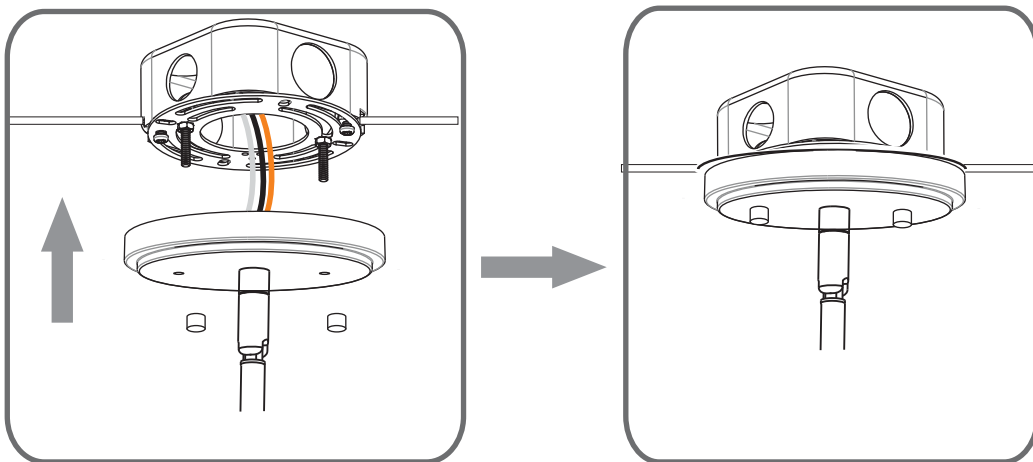
## STEP 4



## STEP 5



## STEP 6



**STEP 7**

