

SAFETY INFORMATION

Please read and understand this entire manual before attempting to assemble, install or operate the product.

WARNING

- RISK OF ELECTRIC SHOCK - Before beginning installation, turn off electricity at the circuit breaker box or the main fuse box.
- RISK OF FIRE - Use bulbs specified by the markings and/or labels on the fixture.

CAUTION

- For your safety, read instructions completely before beginning installation.
- If in doubt about electrical installation, consult a licensed electrician.
- Turn off electricity to fixture before replacing the bulb(s).

TOOLS REQUIRED

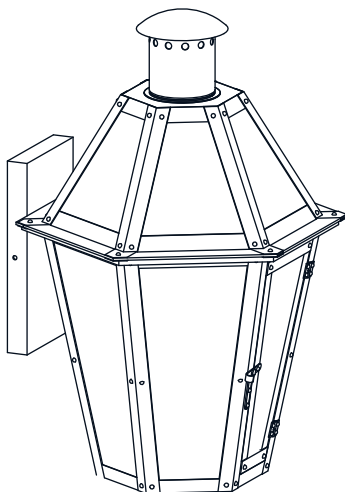


CARE AND MAINTENANCE

- Wipe clean using soft, dry cloth or static duster. Always avoid using harsh chemicals and abrasives to clean fixture as they may damage the finish.

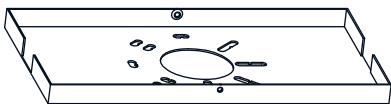
If you need further assistance call Quozel Customer Care at 1-800-645-3184 (9:00am - 5:00pm EST), or visit us on-line at www.quozel.com.

PACKAGE CONTENTS



A Fixture Body
x 1

MOUNTING HARDWARE



AA Inner Backplate
x 1



BB Mounting Screw
x 2



CC Wire Connector
x 3

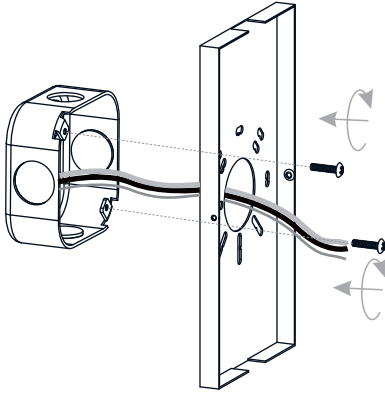


DD Outlet Box Screw
x 2

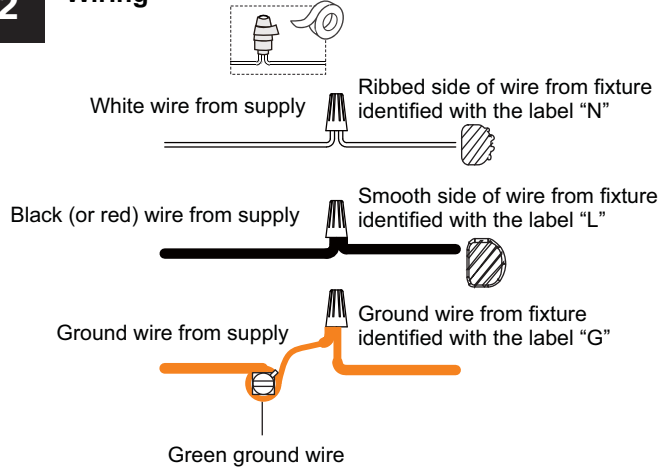
INSTALLATION

Option 1

1 **Install Inner Backplate**



2 **Wiring**



White wire from supply

Ribbed side of wire from fixture identified with the label "N"

Black (or red) wire from supply

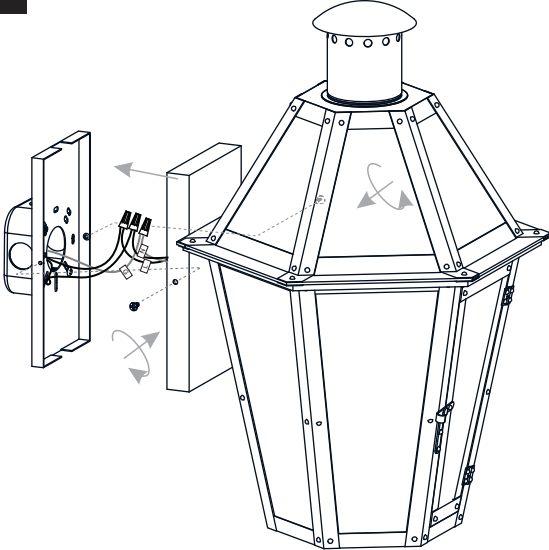
Smooth side of wire from fixture identified with the label "L"

Ground wire from supply

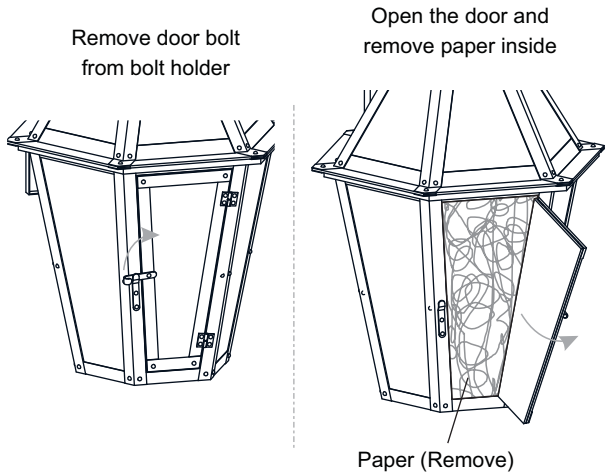
Ground wire from fixture identified with the label "G"

Green ground wire

3 **Install Fixture Body**



4 **Remove Papers inside of the Cage**



Remove door bolt from bolt holder



Open the door and remove paper inside

Paper (Remove)

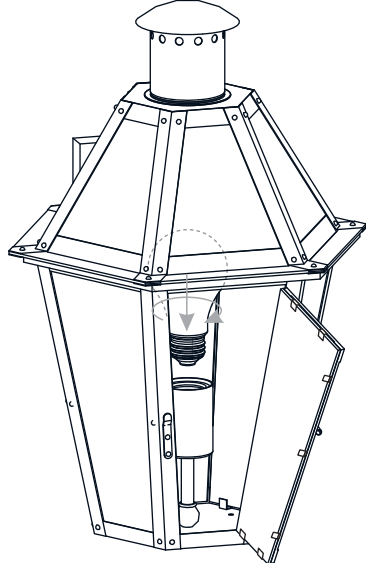
5 **Install Bulb**

Install the correct bulb referring to fixture markings and/or labels for maximum wattage.

Recommended Bulb Type (not included):

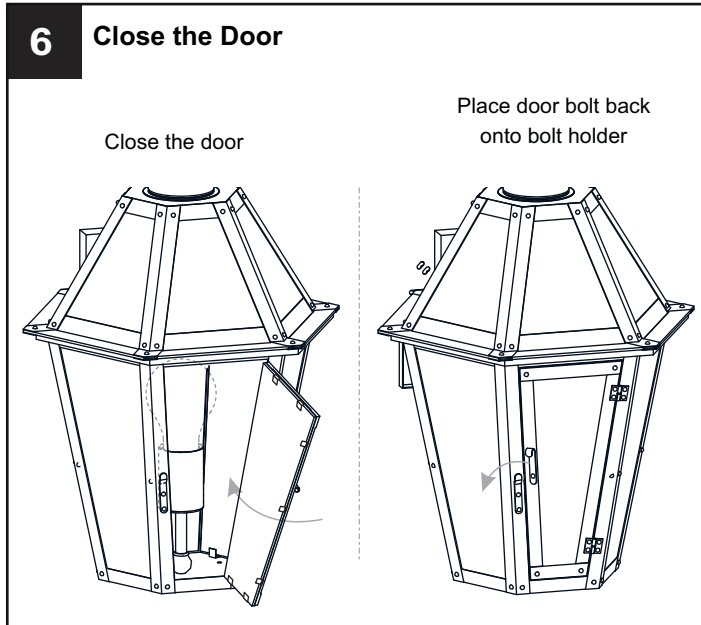
	
BULB BASE TYPE Medium (E26)	BULB TYPE TYPE A

100W MAX

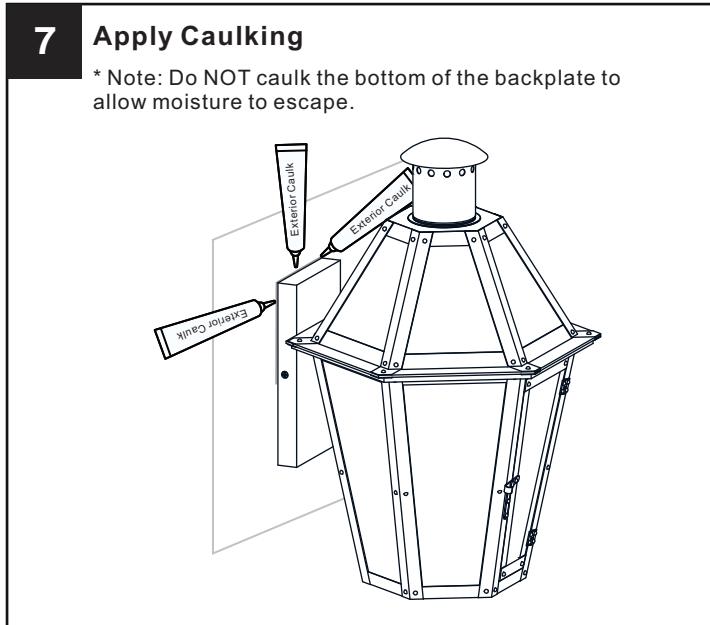


INSTALLATION

6 Close the Door

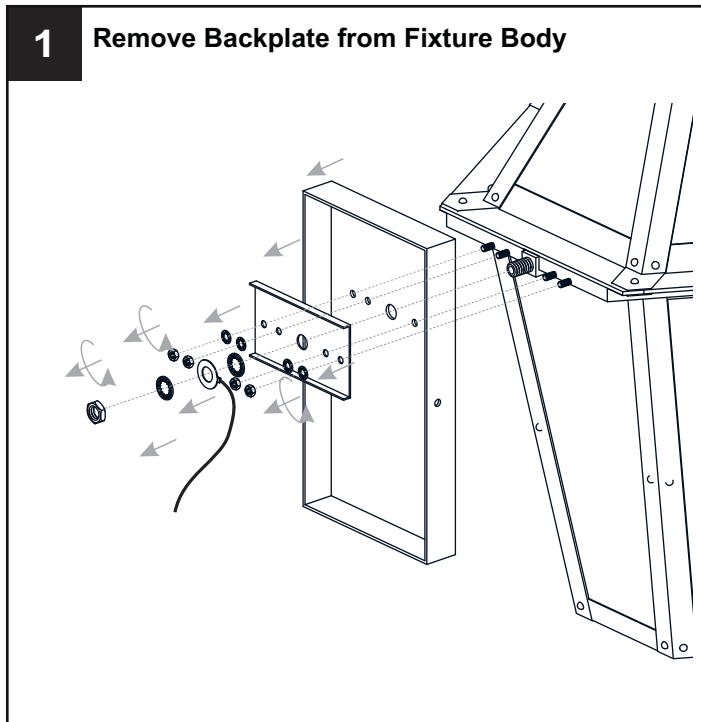


7 Apply Caulking

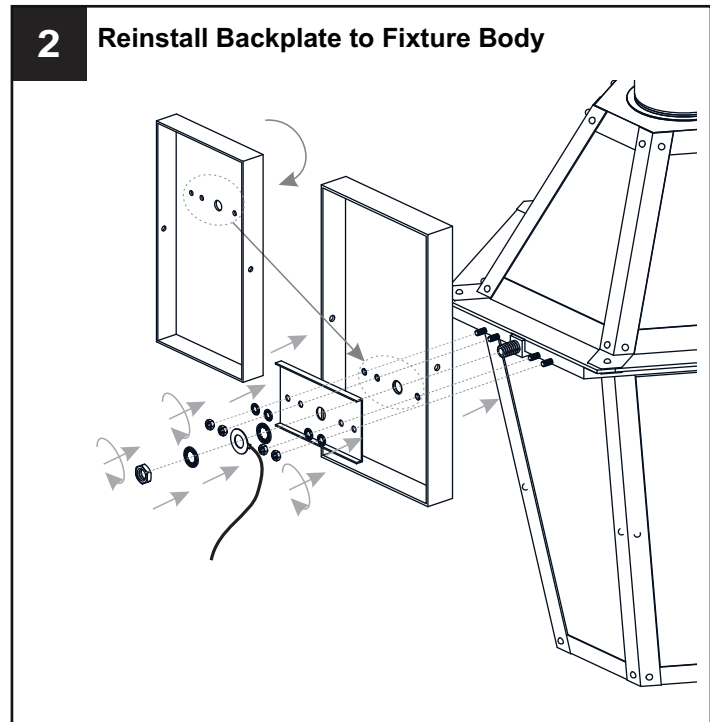


Option 2

1 Remove Backplate from Fixture Body



2 Reinstall Backplate to Fixture Body



Go to step 1 - step 8 of option 1 to complete the rest installations.

Your installation is now complete! Restore electricity and save this sheet for future reference.