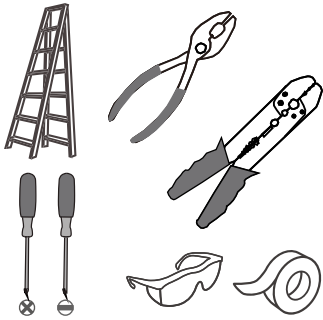
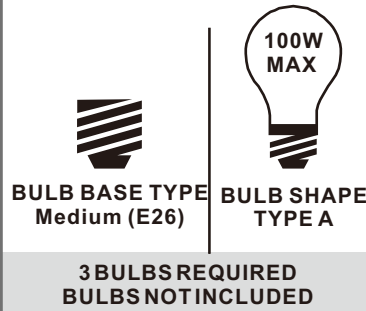


Tools Required



Light Source



Warnings and Cautions

Turn off the electricity at the circuit breaker before installation. Consult a licensed electrician if in doubt about installation.

Turn off power to the fixture and allow the bulbs to cool before replacing.

Package Contents

Preparation: Identify and inspect all parts before beginning the installation.

Missing or damaged parts? Contact your original place of purchase.

PARTS BAG

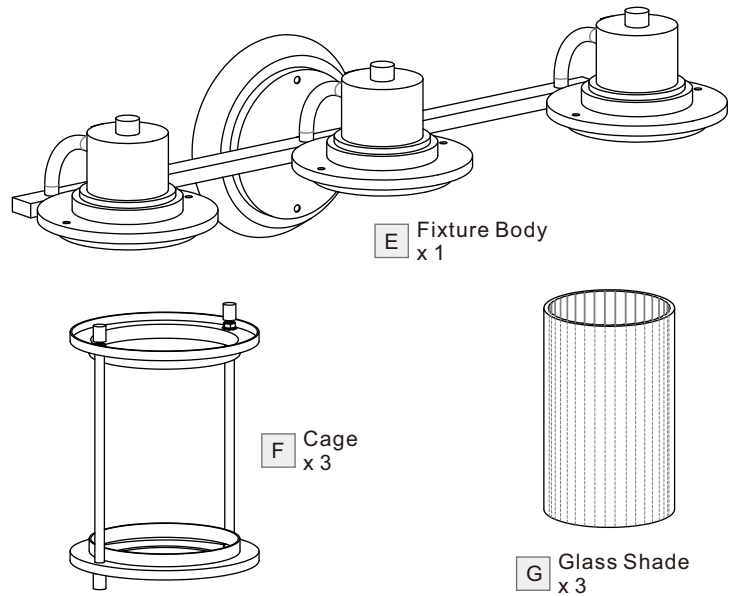
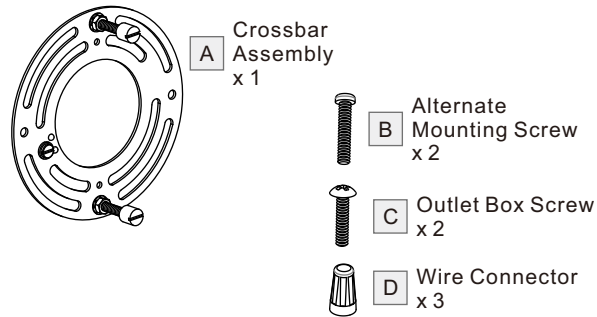

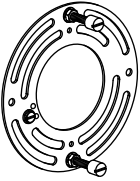
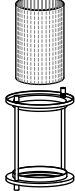
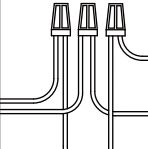
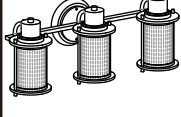

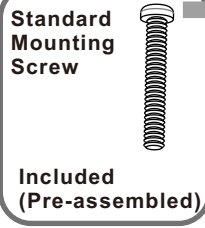


Table of Contents

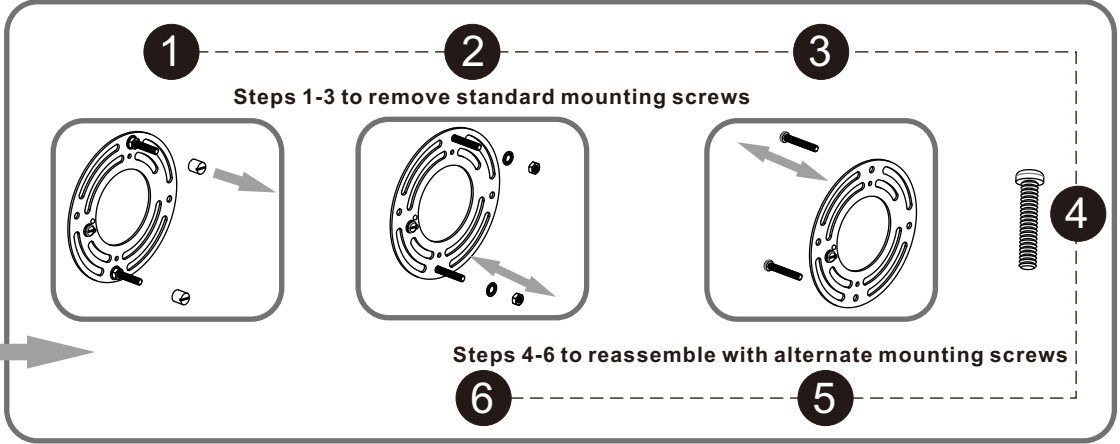
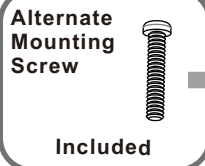
| Alternate Mounting Screw | Crossbar Assembly | Cage & Glass Shade | Wiring | Fixture Body | Bulb |
|---|---|---|--|---|---|
|  |  |  |  |  |  |
| STEP 1 | STEP 2 | STEP 3 | STEP 4 | STEP 5 | STEP 6 |

STEP 1

OPTION 1



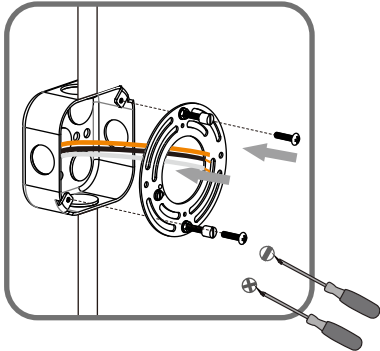
OPTION 2



STEP 2

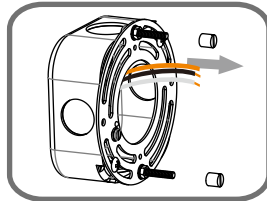
1

Step 1
Install crossbar assembly

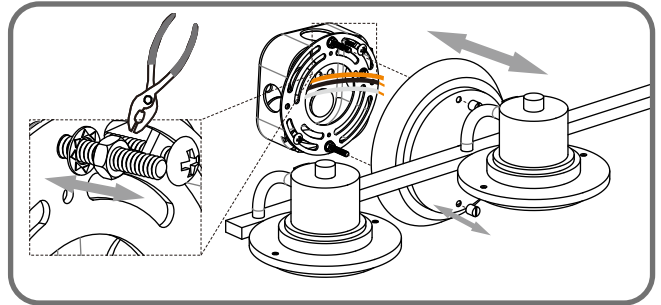


2

Step 2 - 3
Test fitting backplate to mounting screws



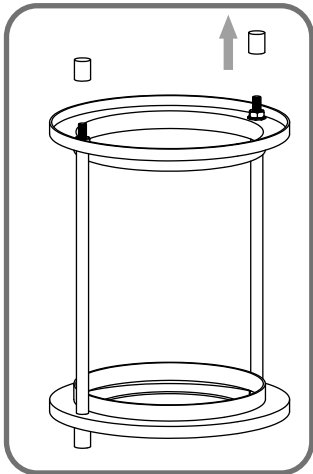
3



STEP 3

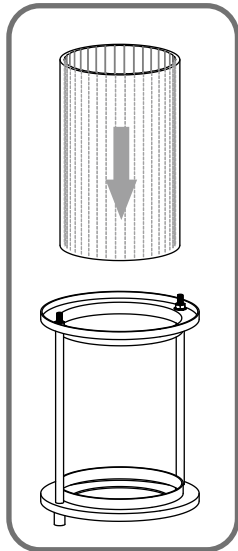
1

Remove lock balls



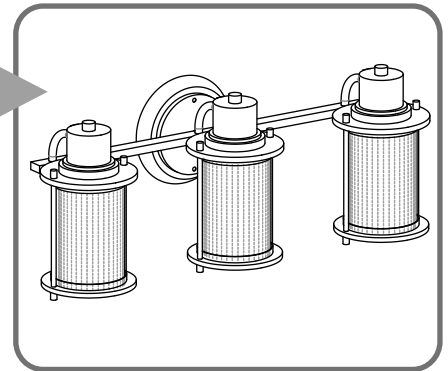
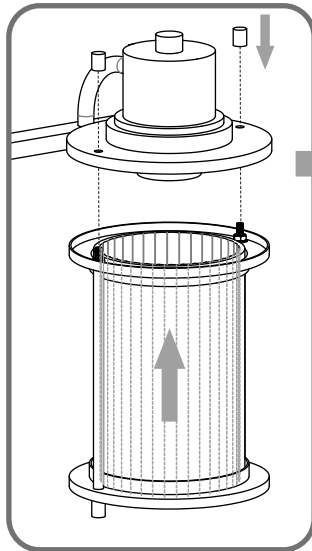
2

Install glass

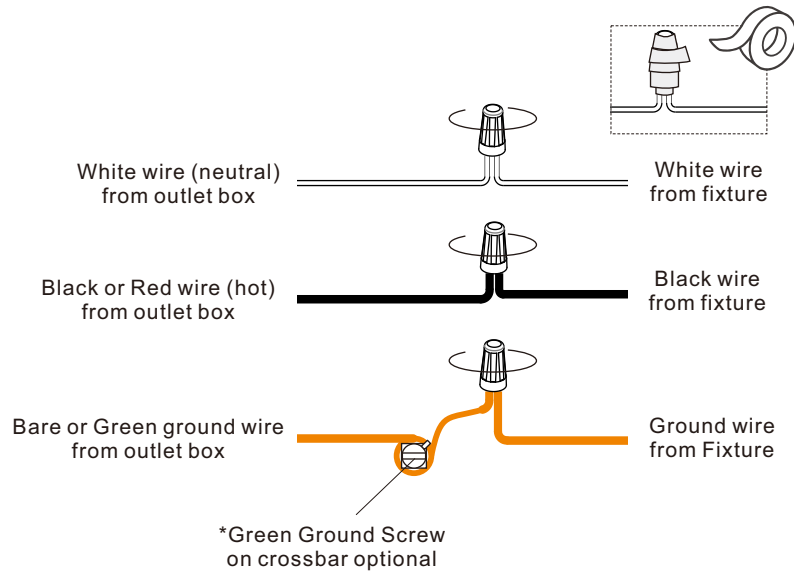


3

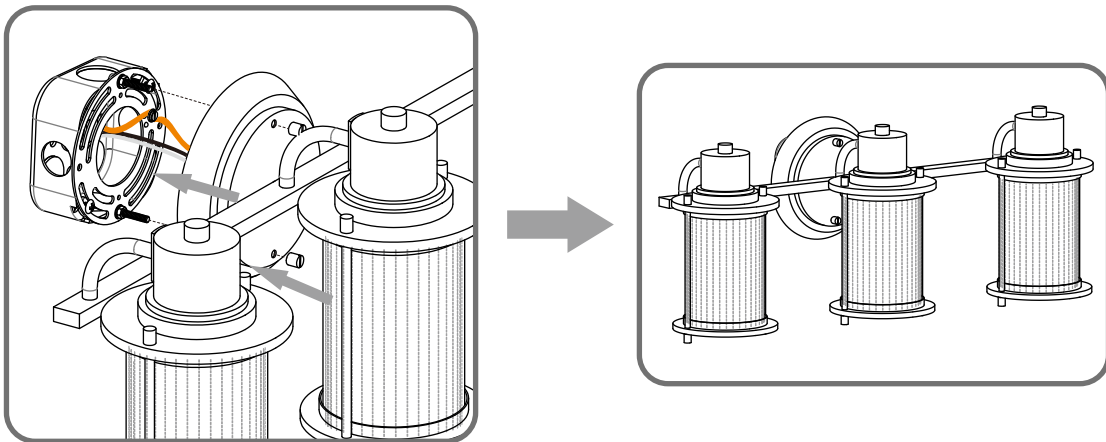
Install cage with glass



STEP 4



STEP 5



STEP 6

