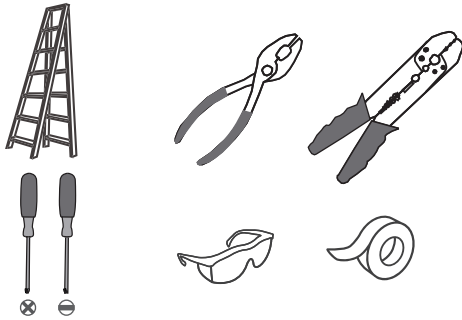


Tools Required



Light Source

31W
LED

Fixture Height Adjustable
24.25" to 120.25"

⚠ Warnings and Cautions

Turn off the electricity at the circuit breaker before installation. Consult a licensed electrician if in doubt about installation.

Package Contents

Preparation: Identify and inspect all parts before beginning the installation.

Missing or damaged parts? Contact your original place of purchase.

PARTS BAG

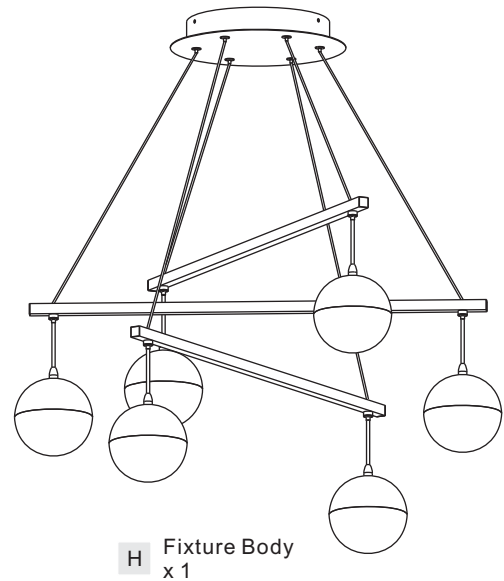
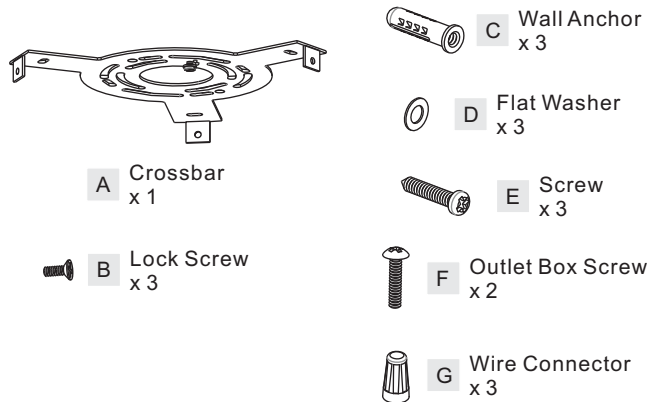
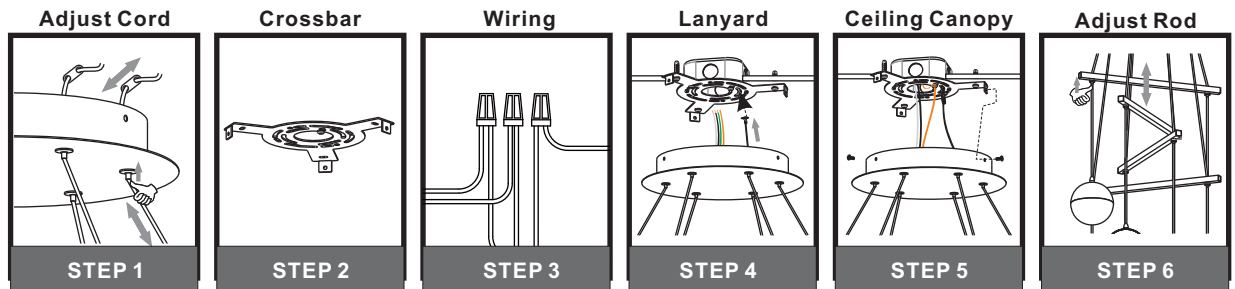
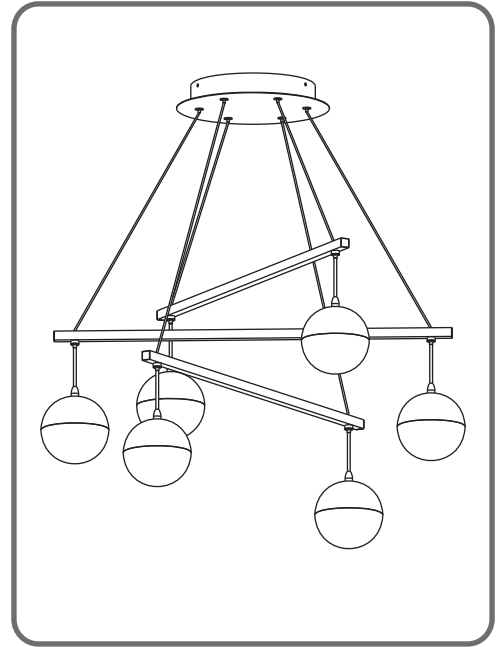
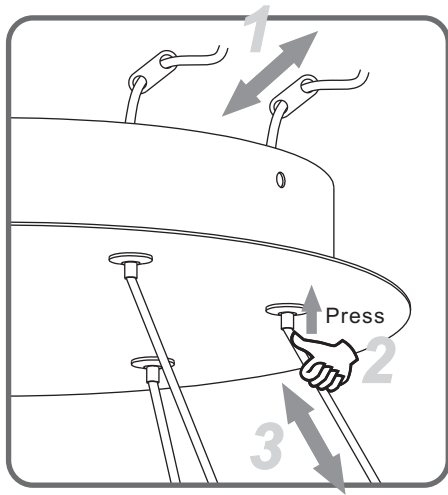


Table of Contents



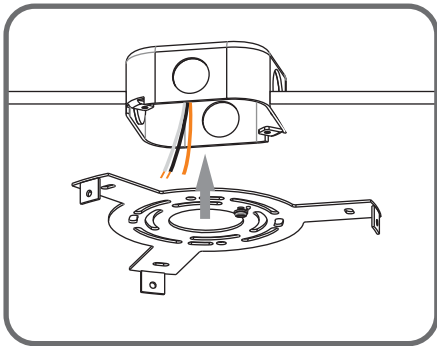
STEP 1



STEP 2

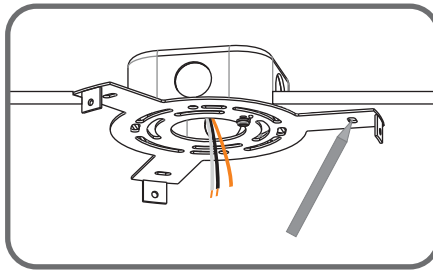
1

Fit crossbar to outlet box



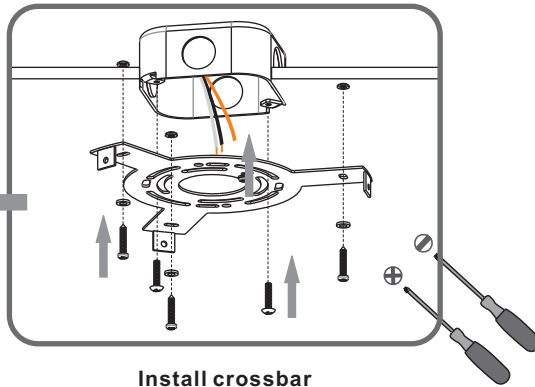
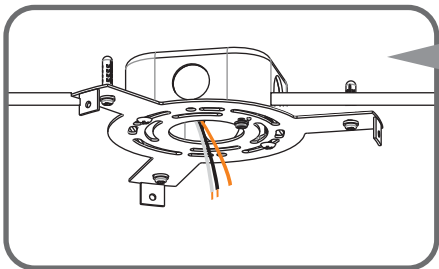
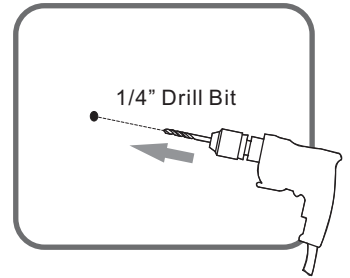
2

Mark Anchor Holes Location on the Ceiling

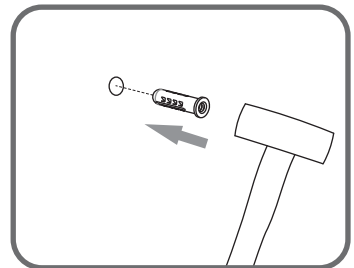


3

Drill Holes for Anchors from marks



Install crossbar

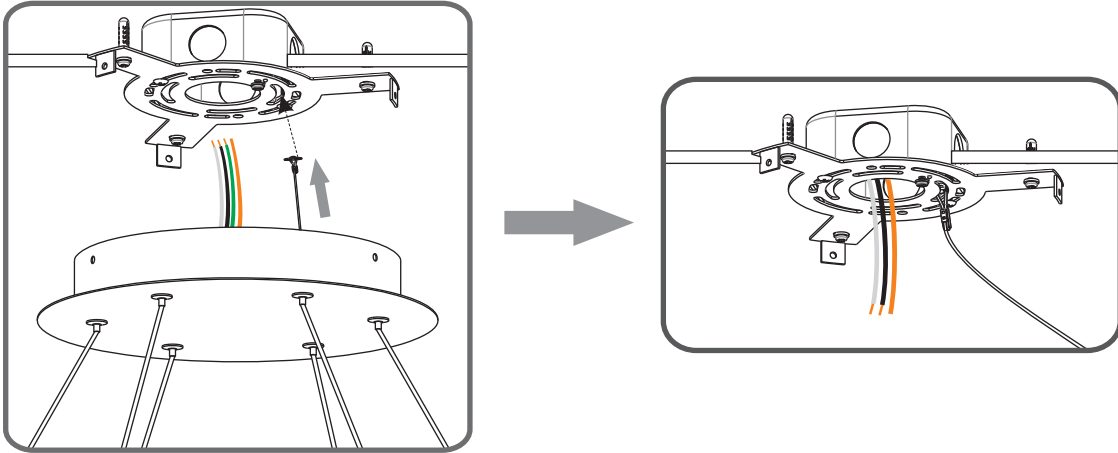


Install Wall Anchors

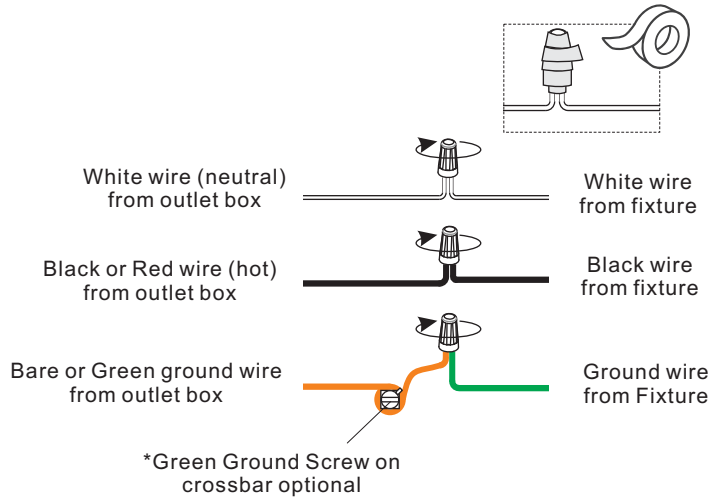
5

4

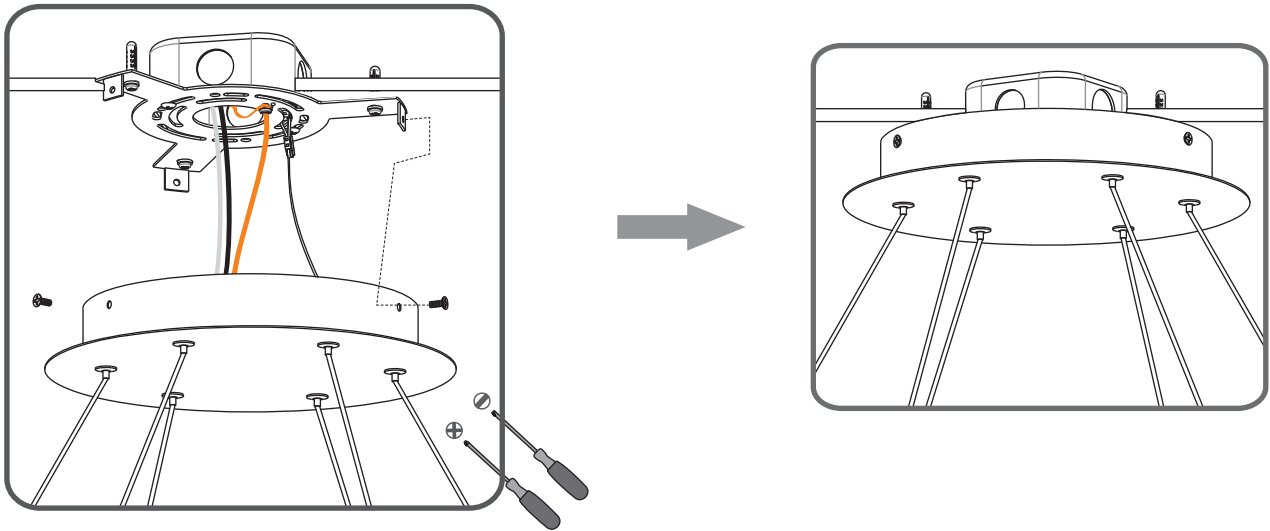
STEP 3



STEP 4



STEP 5



STEP 6 - Optional

