

⚠ WARNINGS AND CAUTIONS

READ AND SAVE THESE INSTRUCTIONS

Please read and understand this entire manual before attempting to assemble, install or operate the product.

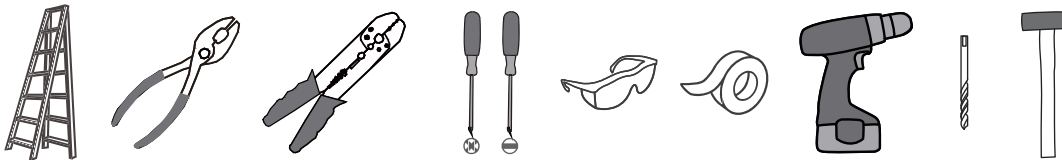
WARNING

- RISK OF ELECTRIC SHOCK - Before beginning installation, turn off electricity at the circuit breaker box or the main fuse box.
- RISK OF FIRE - Use bulbs specified by the markings and/or labels on the fixture.
- RISK OF PERSONAL INJURY - DO NOT bend the blades when installing the fan, or cleaning the fan. Do not insert foreign objects in between rotating fan blades.
- RISK OF FIRE, ELECTRIC SHOCK, OR PERSONAL INJURY - mount to outlet box marked (acceptable for fan support of 22.7kg(50lbs) or less) and use mounting screws provided with the outlet box.
- All set screws must be checked, and re-tightened where necessary, before installation.
- After making the wire connections, the wires should be spread apart with the grounded conductor and the equipment-grounding conductor on one side of the outlet box and the ungrounded conductor on the other side of the outlet box.
- Suitable for use with solid-state speed controls.
- use only with light kits marked suitable for use in damp locations.
- This unit weighs 9.5 kg (20.9 lbs).

CAUTION

- For your safety, read instructions completely before beginning installation.
- If in doubt about electrical installation, consult a licensed electrician.
- Disconnect fixture from the power source before replacing bulbs or cleaning. Make sure the bulbs are given sufficient time to cool before removing.

TOOLS REQUIRED

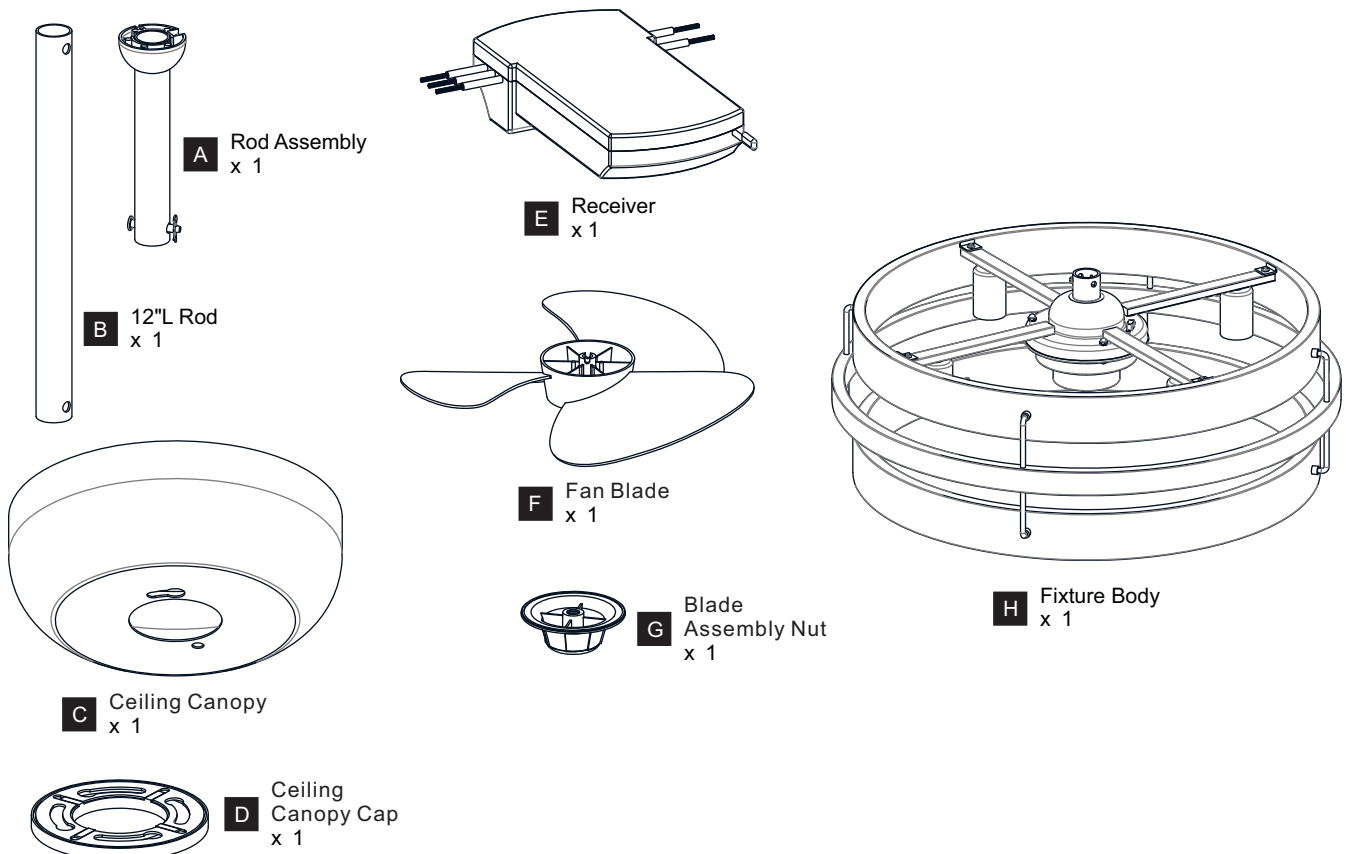


CARE AND MAINTENANCE

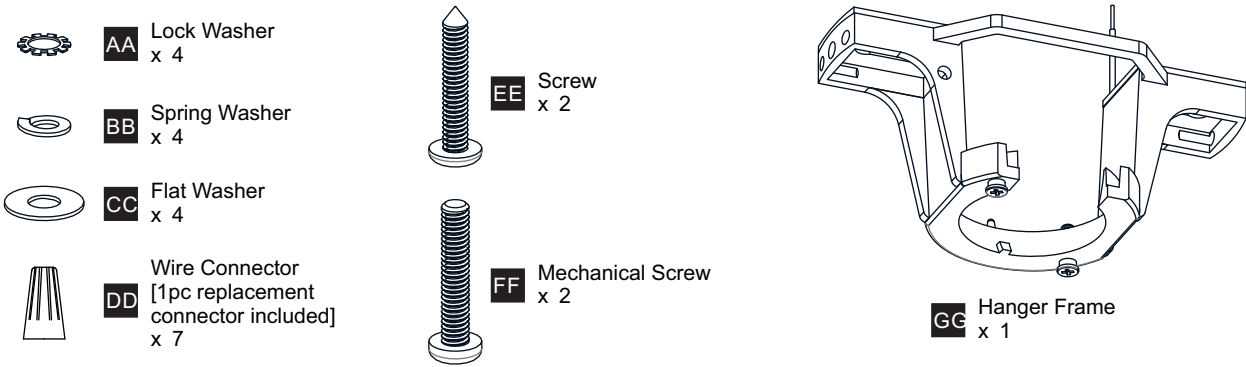
- Wipe clean using soft, dry cloth or static duster. Always avoid using harsh chemicals and abrasives to clean fixture as they may damage the finish.

If you need further assistance call Quozel Customer Care at 1-800-645-3184 (9:00am - 5:00pm EST), or visit us on-line at www.quozel.com.

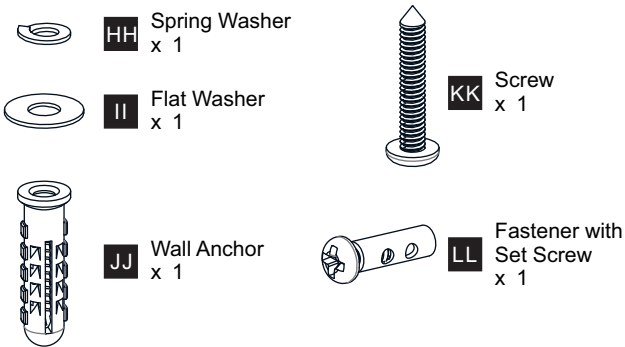
PACKAGE CONTENTS



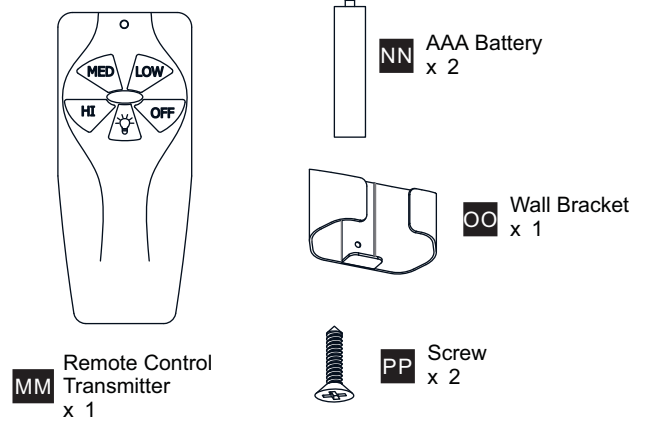
PACKAGE CONTENTS (PARTS BAG 1)



PACKAGE CONTENTS (PARTS BAG 2)

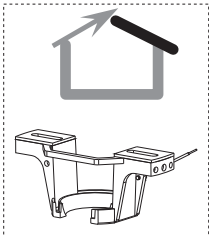


PACKAGE CONTENTS (PARTS BAG 3)



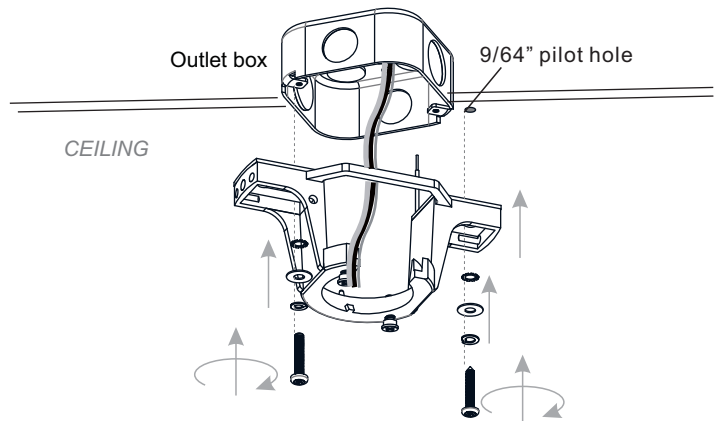
INSTALLATION

1 Install Hanger Frame



This fan cannot be used for the ceiling which angle is greater than 19 degree.

For angled ceilings, point opening toward peak.



Use machine screws
when securing to existing
ceiling fan-rated outlet box.
that supports of 50 lbs
(22.72 kg) or less.

Use wood screws
When securing to support
structure with approved
electrical outlet box. Drill
9/64" pilot holes.

2 Choose Rod



OPTION 1

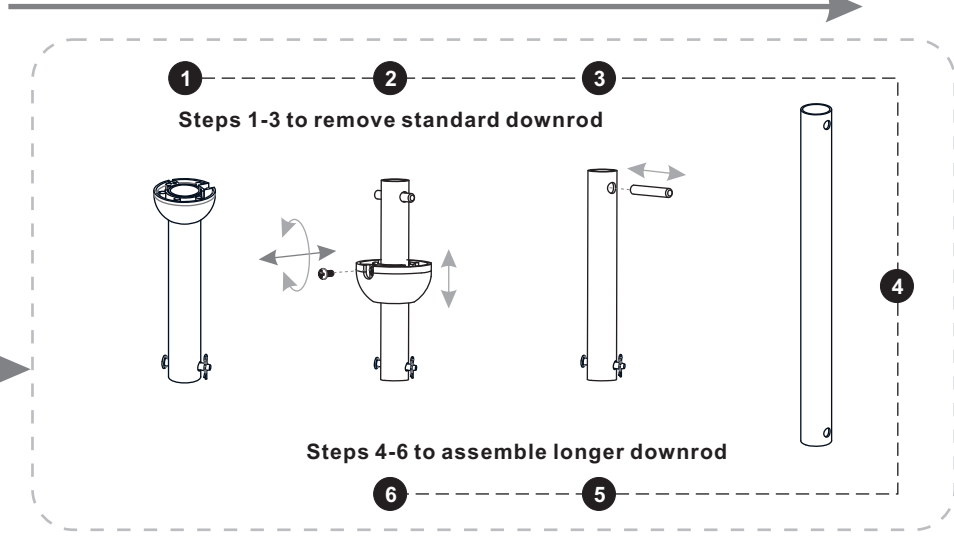
Standard Downrod
(Included -
Pre-assembled)
for ceilings 11 Feet high



OPTION 2

Longer Downrod
(Included)
for angled ceilings or
ceilings 12 Feet or higher

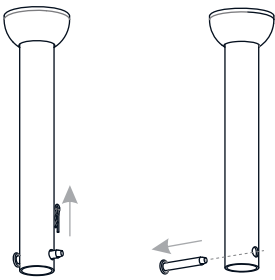
SKIP TO NEXT STEP



3 Install Rod to Fixture Body

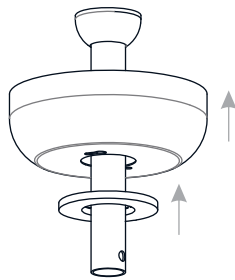
1

Steps 1-2 to remove pin



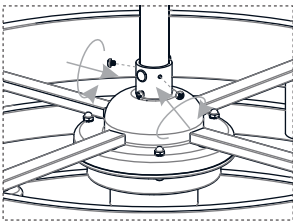
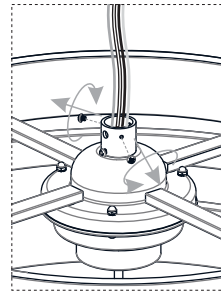
2

3
Install ceiling canopy &
ceiling canopy cap

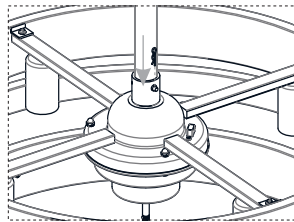


4

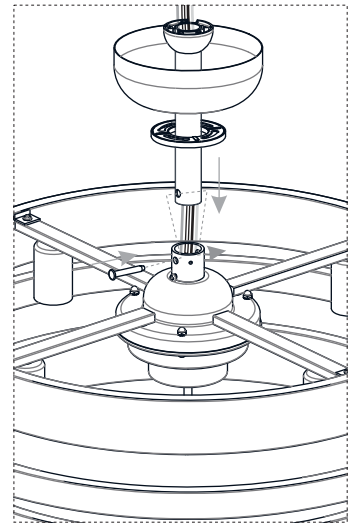
4
Remove set screws on
fixture body



7
Install set screws



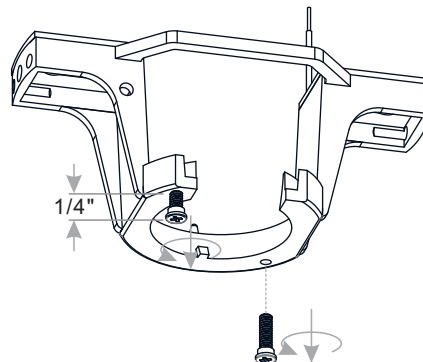
6
Install pin



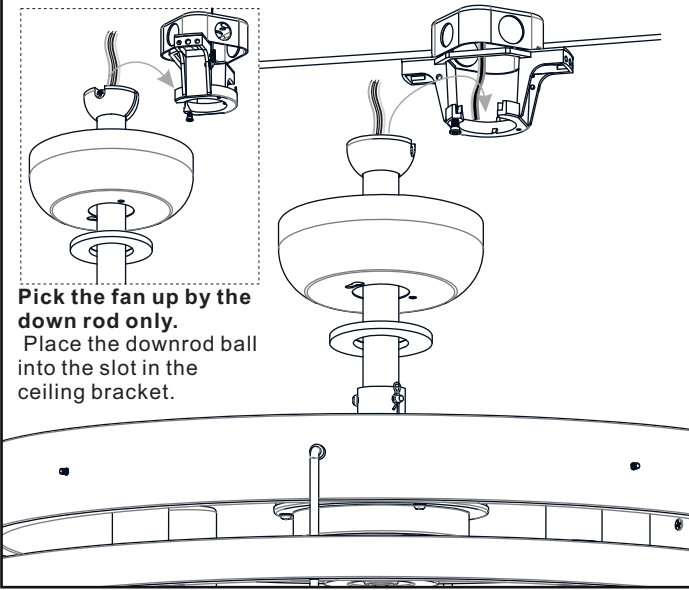
5
Install rod

4 Loosen Shoulder Screws

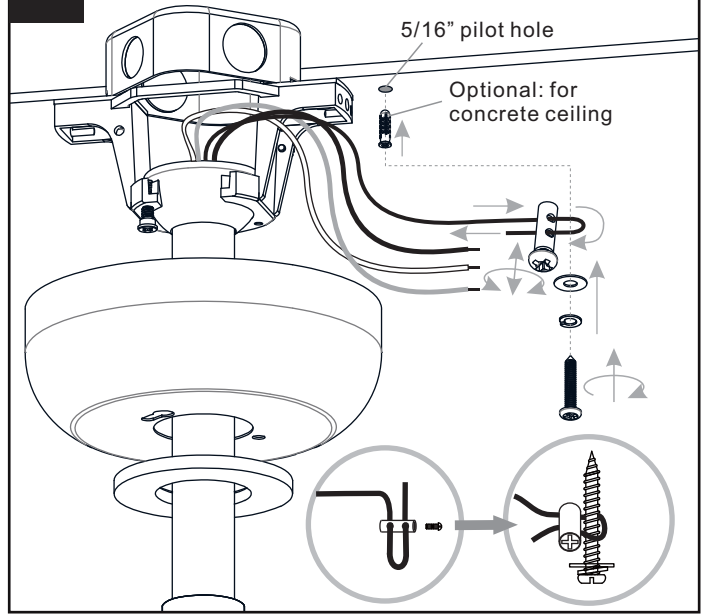
Remove one shoulder screw from hanger frame.
Loosen the other shoulder screw approximate 1/4"
and retain it on the hanger frame.



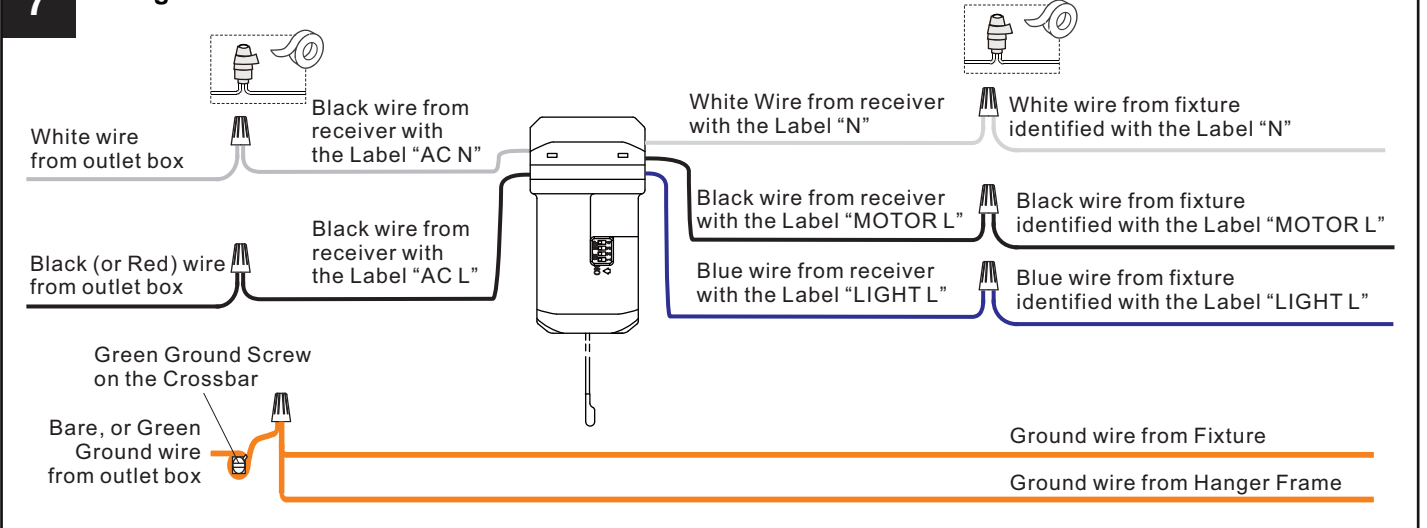
5 Install Rod to Hanger Frame



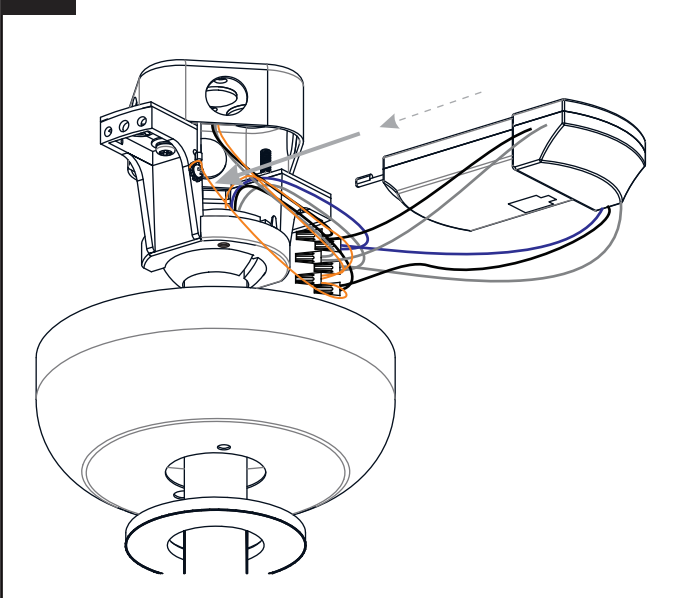
6 Install Safety Cable



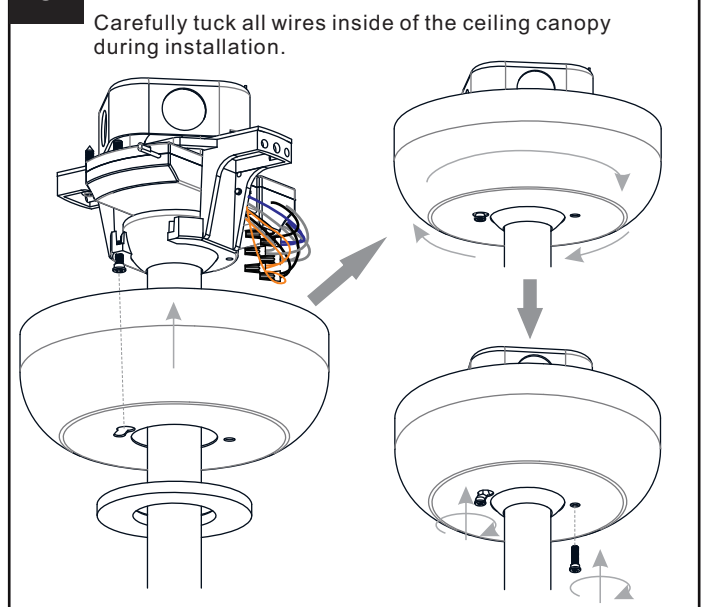
7 Wiring



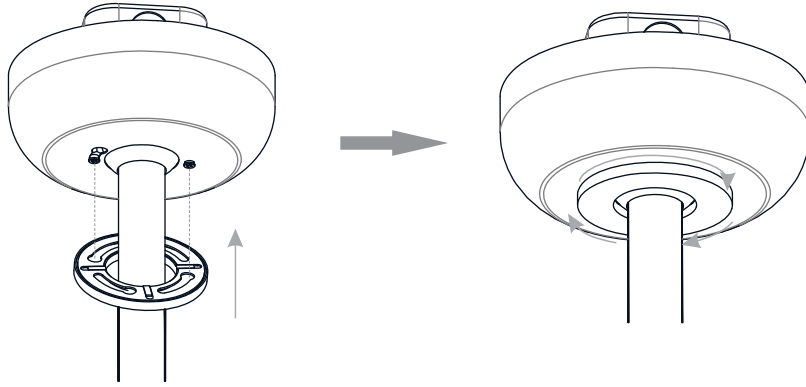
8 Place Controller to Hanger Frame



9 Install Ceiling Canopy



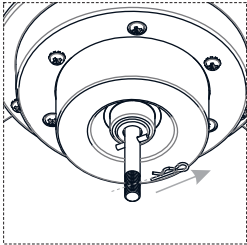
10 Install Ceiling Canopy Cap



11 Install Fan Blade

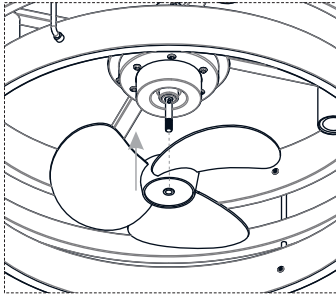
1

Remove pin



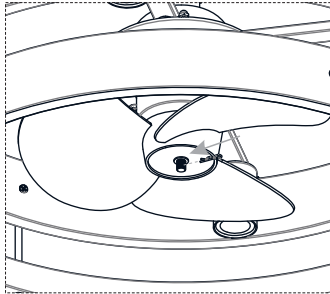
2

Attach fan blade



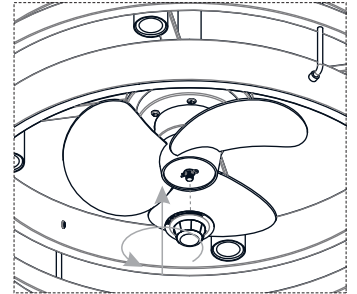
3

Install pin

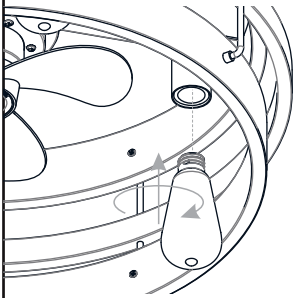


4

Install blade assembly nut



12 Install Bulbs



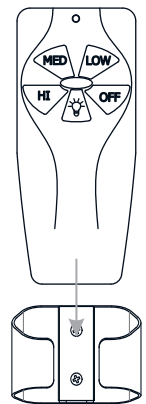
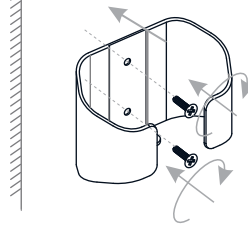
Install four correct bulbs referring to fixture markings and/or labels for maximum wattage.

Recommended Bulb Type (not included):



13 Install Wall Bracket

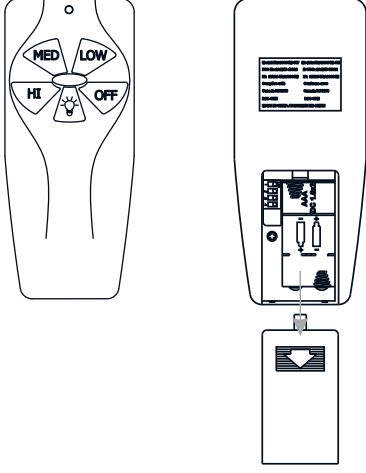
WALL



14 Install AAA Batteries to Remote Control Transmitter

1

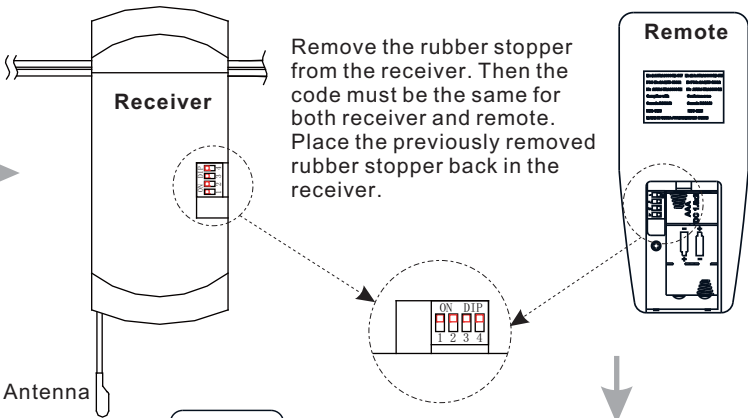
Remove back cover



2

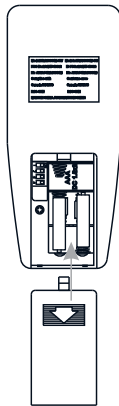
Match the codes on receiver and remote

Remove the rubber stopper from the receiver. Then the code must be the same for both receiver and remote. Place the previously removed rubber stopper back in the receiver.



4

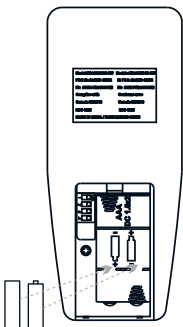
Install back cover



3

Insert AAA batteries

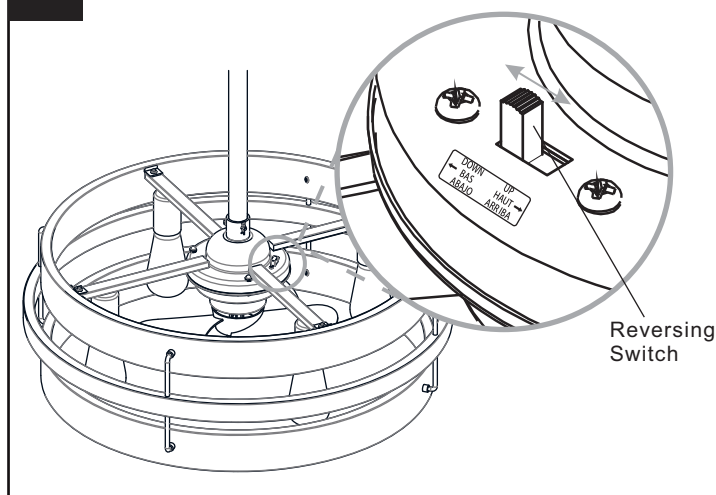
AAA Batteries



OPERATION:

- Light button** : Press it to turn on the lights. Press it again to turn off the lights. Long press it, the bulbs will be dimmable.
- HI, MED, LOW, OFF buttons**: To adjust fan speed.

15 Reverse Fan Blade (Optional)



Reverse Switch Information		
Season	Rotation Direction	Switch Position
Summer	Clockwise	Left
Winter	Counterclockwise	Right

Note:

- If airflow is desired in the opposite direction, turn the fan off and wait for the blades to stop turning.
- Push the reverse switch to Left or Right completely.

Your installation is now complete! Restore electricity and save this sheet for future reference.