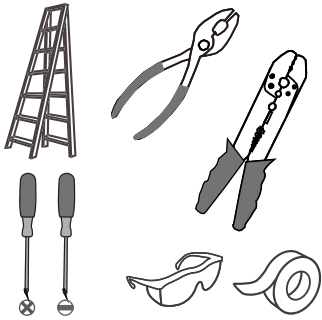
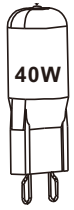


Tools Required



Light Source



G9 Forsted Xenon Bulb

**1 BULBS REQUIRED
BULBS NOT INCLUDED**

⚠ Warnings and Cautions

Turn off the electricity at the circuit breaker before installation. Consult a licensed electrician if in doubt about installation.

Turn off power to the fixture and allow the bulbs to cool before replacing.

Package Contents

Preparation: Identify and inspect all parts before beginning the installation.

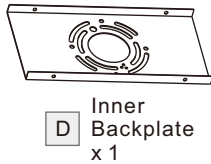
Missing or damaged parts? Contact your original place of purchase.

PARTS BAG

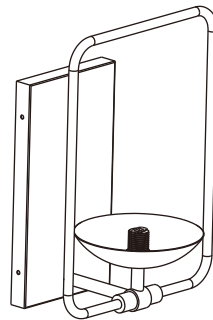
A Mounting Screw x 4

B Outlet Box Screw x 2

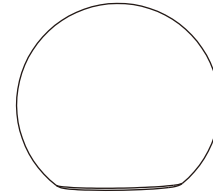
C Wire Connector x 3



D Inner Backplate x 1



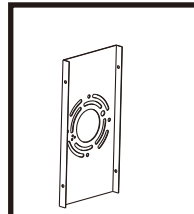
E Fixture Body x 1



F Shade x 1

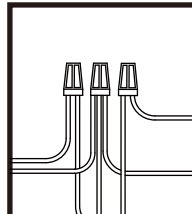
Table of Contents

Inner Backplate



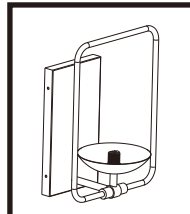
STEP 1

Wiring



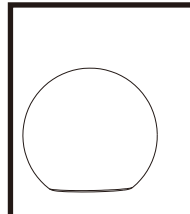
STEP 2

Fixture Body



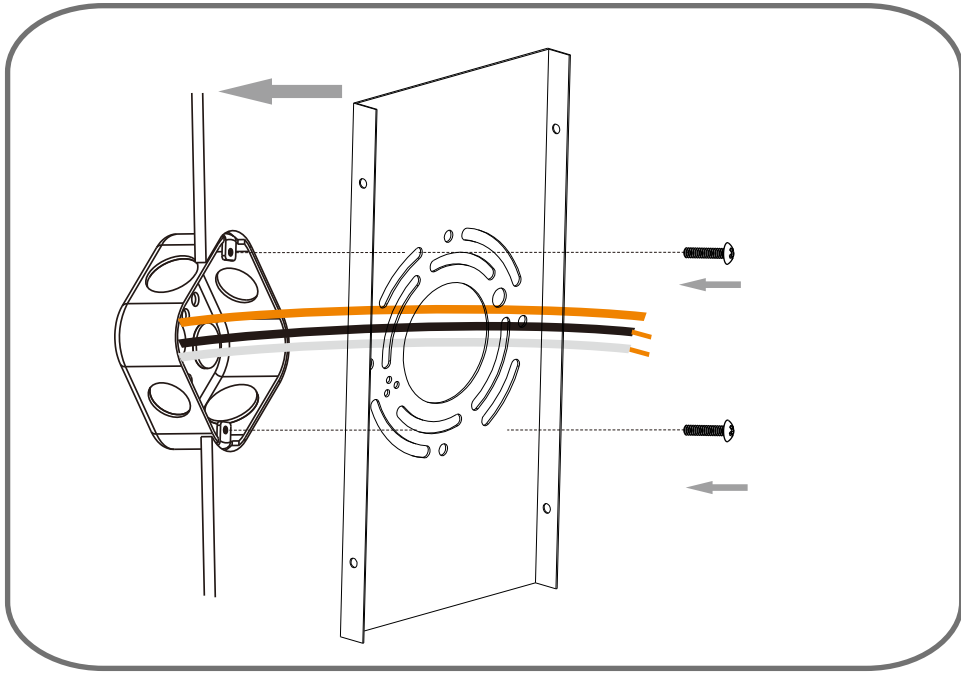
STEP 3

Shade & Bulb

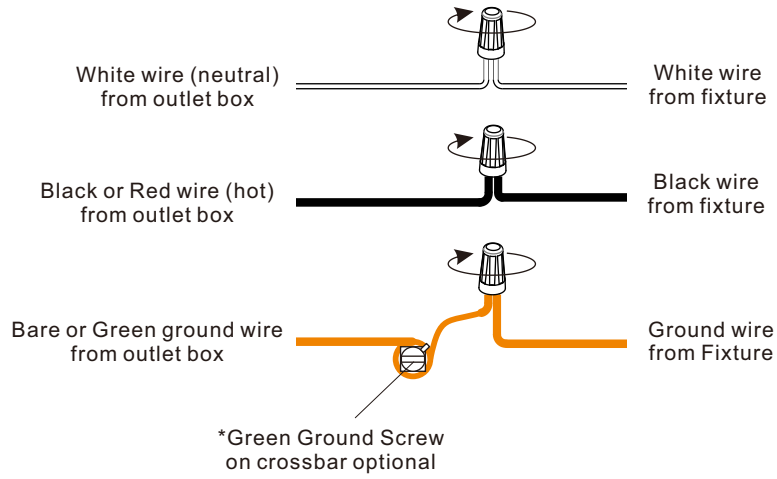


STEP 4

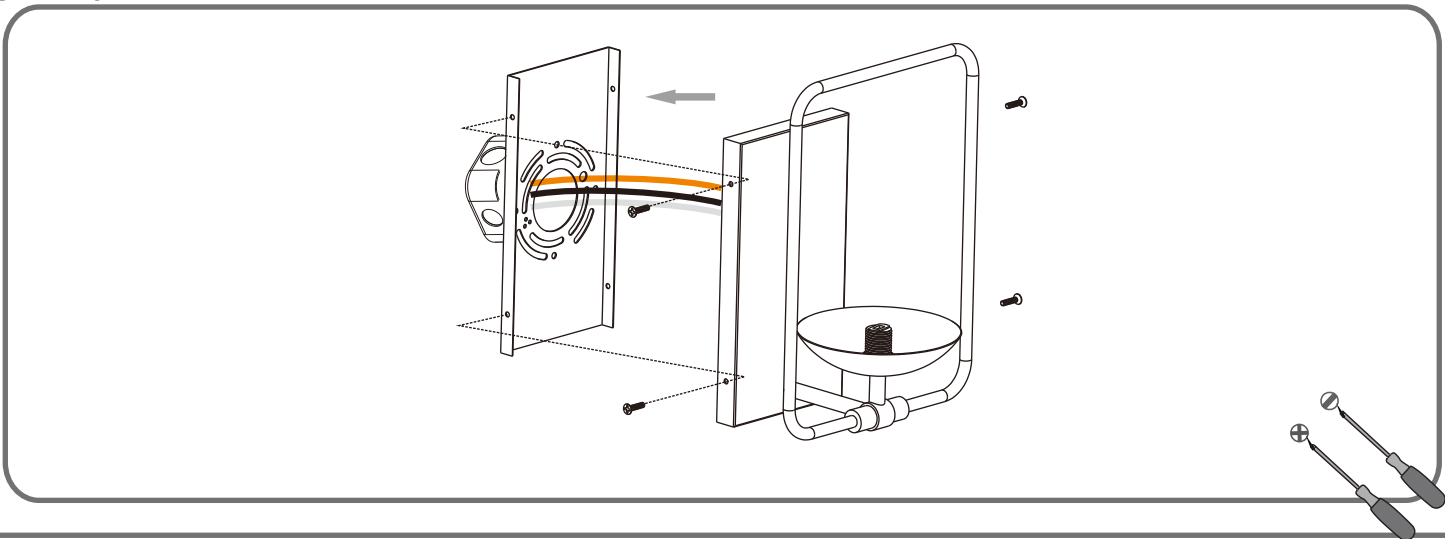
STEP 1



STEP 2



STEP 3



STEP 4

